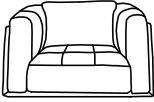
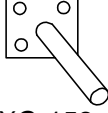



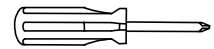
**ASSEMBLY INSTRUCTION**  
**ITEM NO: 194S9280BR-1**  
**CHAIR**

LEGS AND HARDWARE ARE STORED IN THE BOTTOM OF THE SEAT, PLEASE TAKE OUT FOR ASSEMBLY.

| NO. | PARTS LIST  | QTY | DESCRIPTION |
|-----|---|-----|-------------|
| A   |  | 1   | CHAIR       |

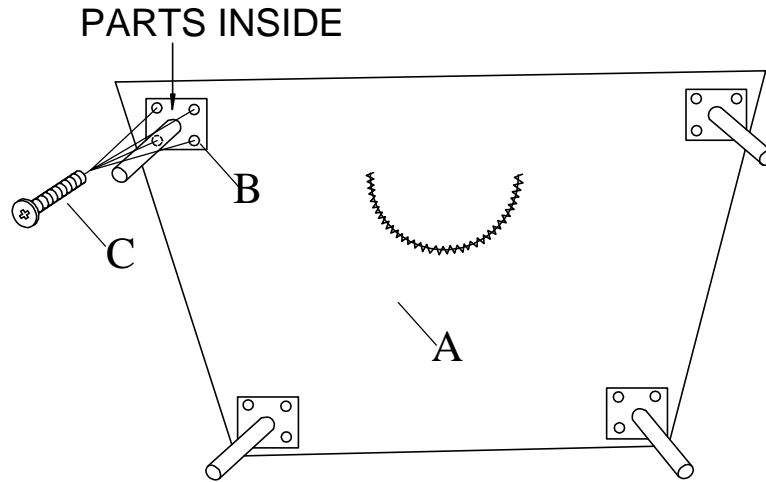
| NO. | HARDWARE LIST  | QTY | DESCRIPTION |
|-----|--|-----|-------------|
| B   | <br>XG-152mm | 4   | METAL LEGS  |
| C   | <br>M8*30mm  | 16  | BOLT        |

Tool Required  
(not provided)

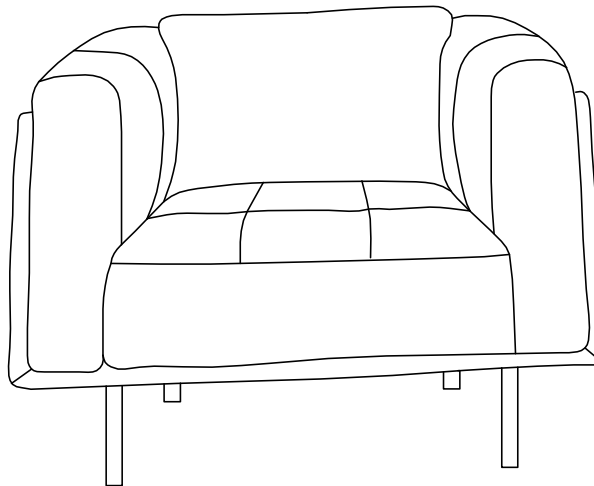


**ASSEMBLY INSTRUCTION**  
**ITEM NO: 194S9280BR-1**  
**CHAIR**

**STEP # 1**



**STEP # 2**



**CARE INSTRUCTION FOR LEATHER FURNITURE**

In order to maintain the original appearance of your furniture, please follow below care procedures .

°Avoid exposing furniture directly to sunlight or heating and air conditioning outlets. sunlight and/ or exposure to heating and air conditioning outlets will fade/damage leather. Do not place your upholstered furniture too close to windows, radiators, vents and be sure to use window treatments to block the sun's rays

°Wipe with a soft brush to remove dust