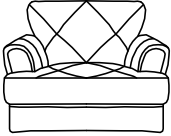
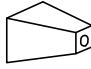
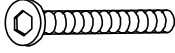
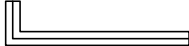


**ASSEMBLY INSTRUCTION**  
**ITEM NO: 194S9279BGY/CRM-1**  
**CHAIR**

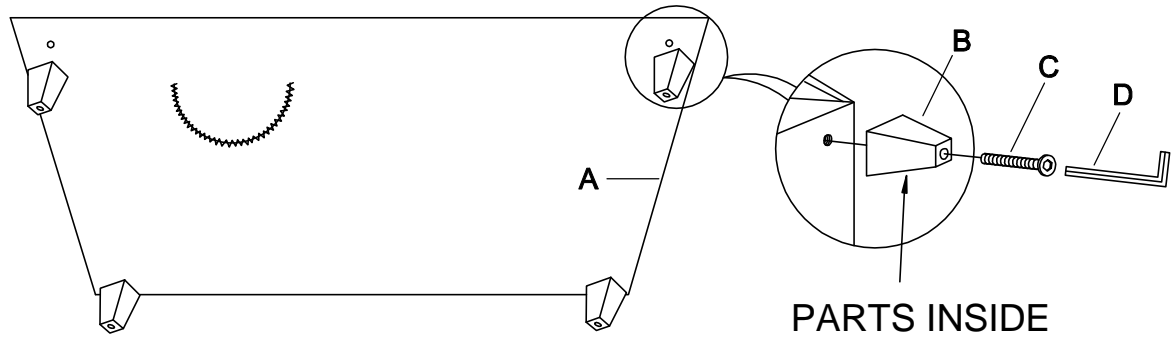
LEGS AND HARDWARE ARE STORED IN THE BOTTOM OF THE SEAT, PLEASE TAKE OUT FOR ASSEMBLY.

NO.	PARTS LIST	QTY	DESCRIPTION
A		1	CHAIR

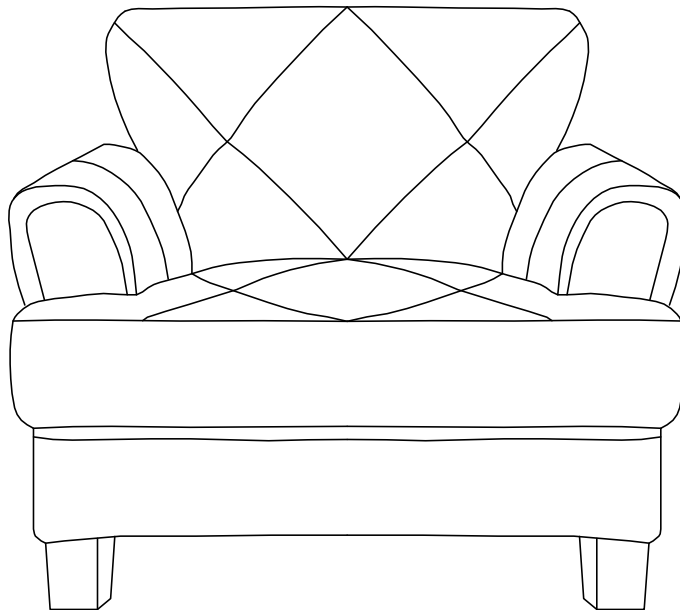
NO.	HARDWARE LIST	QTY	DESCRIPTION
B	 90mm*90mm*135mmH	4	WOODEN LEGS
C	 M8*90mm	4	BOLTS
D	 M5*100*38mm	1	ALLEN KEY

**ASSEMBLY INSTRUCTION**  
**ITEM NO: 194S9279BGY/CRM-1**  
**CHAIR**

**STEP # 1**



**STEP # 2**



**CARE INSTRUCTION FOR LEATHER FURNITURE**

In order to maintain the original appearance of your furniture, please follow below care procedures .

°Avoid exposing furniture directly to sunlight or heating and air conditioning outlets. sunlight and/ or exposure to heating and air conditioning outlets will fade/damage leather. Do not place your upholstered furniture too close to windows, radiators, vents and be sure to use window treatments to block the sun's rays

°Wipe with a soft brush to remove dust