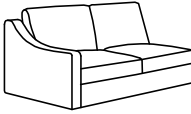
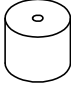
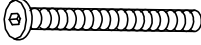



ASSEMBLY INSTRUCTION
ITEM NO: 194S9277VR-2L
LSF 2- SEATER

LEGS AND HARDWARE ARE STORED IN THE BOTTOM OF THE SEAT, PLEASE TAKE OUT FOR ASSEMBLY.

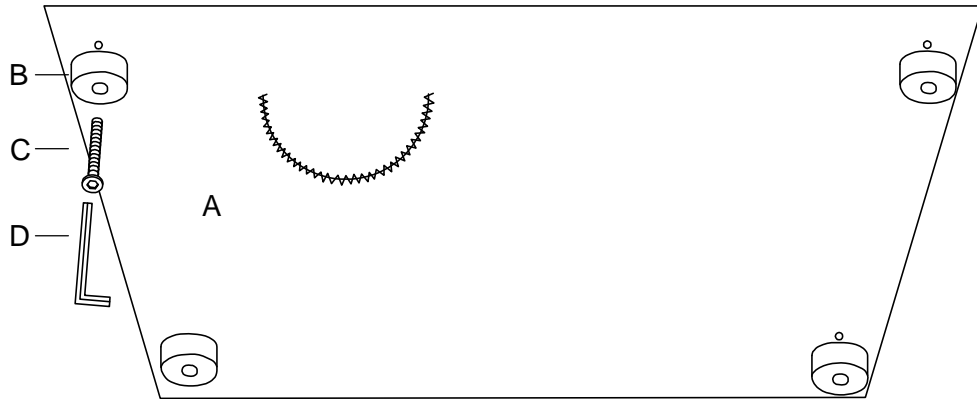
NO.	PARTS LIST	QTY	DESCRIPTION
A		1	LSF 2- SEATER

NO.	HARDWARE LIST	QTY	DESCRIPTION
B	 80*80*50mm	4	WOODEN LEGS
C	 M8*60mm	4	BOLT
D	 M5*100*38mm	1	ALLEN KEY

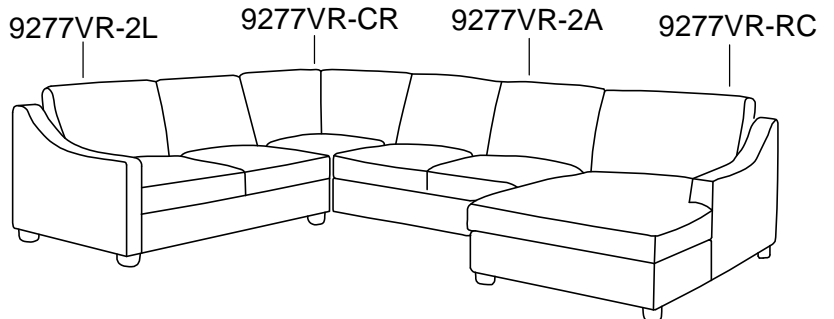
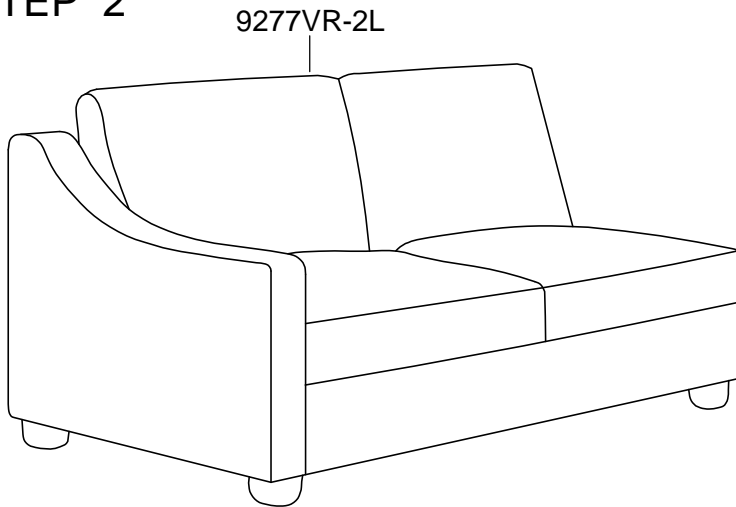
ASSEMBLY INSTRUCTION
ITEM NO: 194S9277VR-2L
LSF 2- SEATER

STEP 1

PARTS INSIDE



STEP 2



CARE INSTRUCTION FOR FABRIC FURNITURE

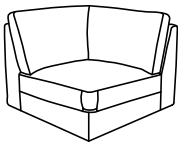
In order to maintain the original appearance of your fabric furniture, please follow below simple care procedures.

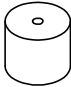
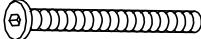

°Avoid exposing furniture directly to sunlight or heating and air conditioning outlets. Exposure to sunlight or heating and air conditioning outlets will fade/damage fabric.

°Wipe gently with a damp soft cloth to remove dust, dirt and any grime build up.

ASSEMBLY INSTRUCTION
ITEM NO: 194S9277VR-CR
CORNER SEAT

LEGS AND HARDWARE ARE STORED IN THE BOTTOM OF THE SEAT, PLEASE TAKE OUT FOR ASSEMBLY.

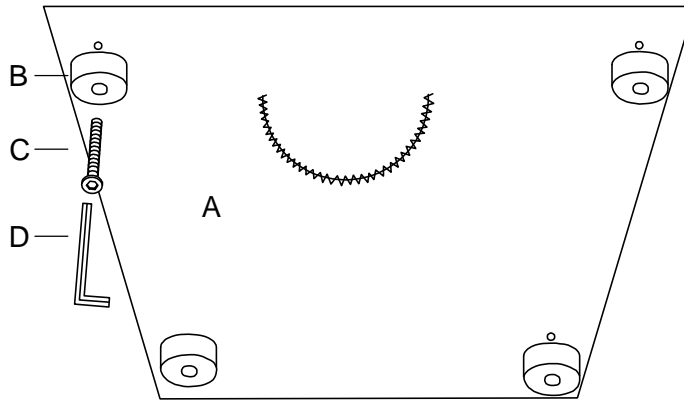
NO.	PARTS LIST	QTY	DESCRIPTION
A		1	CORNER SEAT

NO.	HARDWARE LIST	QTY	DESCRIPTION
B	 80*80*50mm	4	WOODEN LEGS
C	 M8*60mm	4	BOLT
D	 M5*100*38mm	1	ALLEN KEY

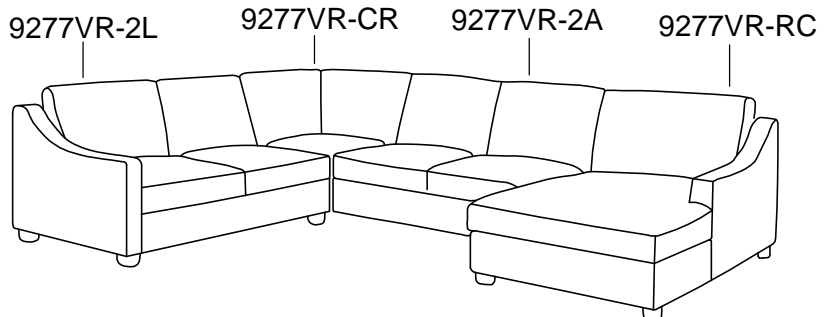
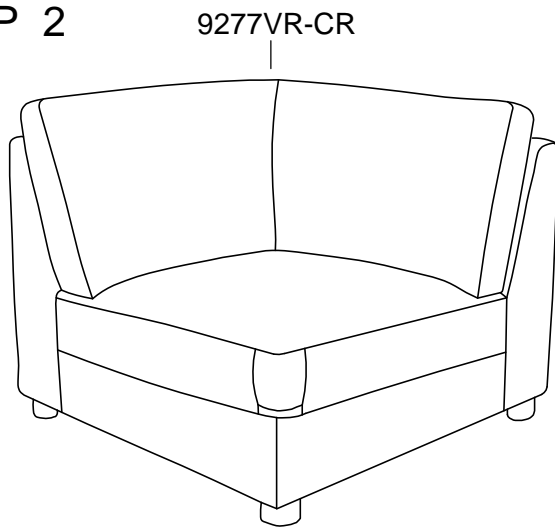
ASSEMBLY INSTRUCTION
ITEM NO: 194S9277VR-CR
CORNER SEAT

STEP 1

PARTS INSIDE



STEP 2



CARE INSTRUCTION FOR FABRIC FURNITURE

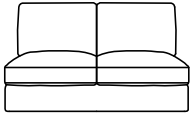
In order to maintain the original appearance of your fabric furniture, please follow below simple care procedures.

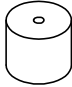
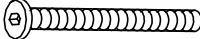

°Avoid exposing furniture directly to sunlight or heating and air conditioning outlets. Exposure to sunlight or heating and air conditioning outlets will fade/damage fabric.

°Wipe gently with a damp soft cloth to remove dust, dirt and any grime build up.

ASSEMBLY INSTRUCTION
ITEM NO: 194S9277VR-2A
ARMLESS 2- SEATER

LEGS AND HARDWARE ARE STORED IN THE BOTTOM OF THE SEAT, PLEASE TAKE OUT FOR ASSEMBLY.

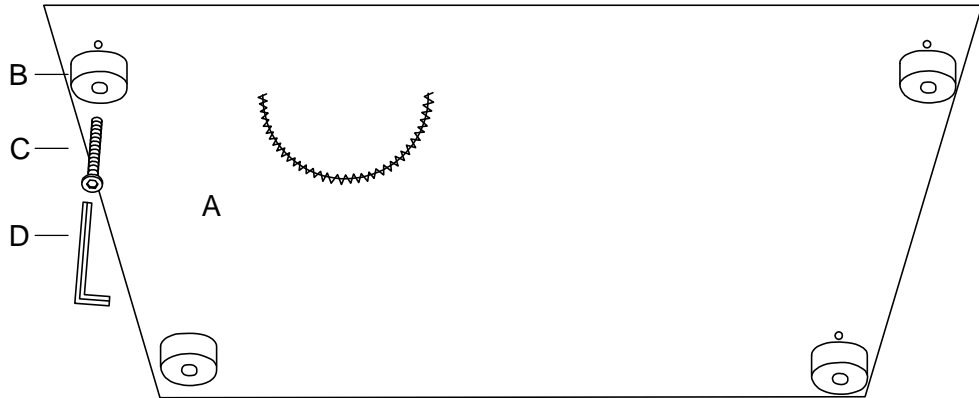
NO.	PARTS LIST	QTY	DESCRIPTION
A		1	ARMLESS 2- SEATER

NO.	HARDWARE LIST	QTY	DESCRIPTION
B	 80*80*50mm	4	WOODEN LEGS
C	 M8*60mm	4	BOLT
D	 M5*100*38mm	1	ALLEN KEY

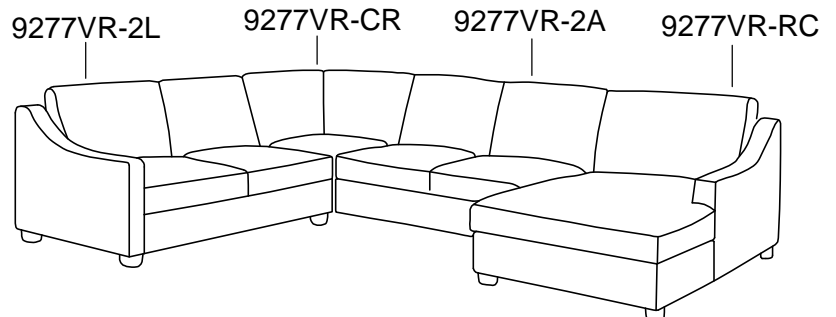
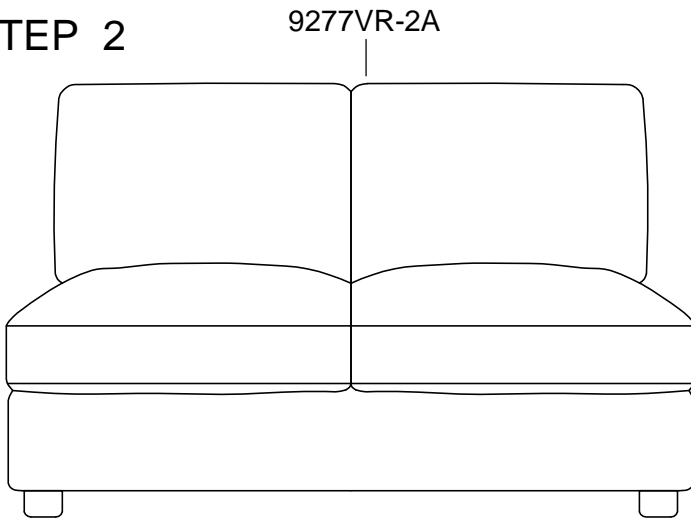
ASSEMBLY INSTRUCTION
ITEM NO: 194S9277VR-2A
ARMLESS 2- SEATER

STEP 1

PARTS INSIDE



STEP 2



CARE INSTRUCTION FOR FABRIC FURNITURE


In order to maintain the original appearance of your fabric furniture, please follow below simple care procedures.

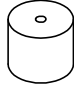
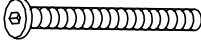

°Avoid exposing furniture directly to sunlight or heating and air conditioning outlets. Exposure to sunlight or heating and air conditioning outlets will fade/damage fabric.

°Wipe gently with a damp soft cloth to remove dust, dirt and any grime build up.

ASSEMBLY INSTRUCTION
ITEM NO: 194S9277VR-RC
RSF CHAISE

LEGS AND HARDWARE ARE STORED IN THE BOTTOM OF THE SEAT, PLEASE TAKE OUT FOR ASSEMBLY.

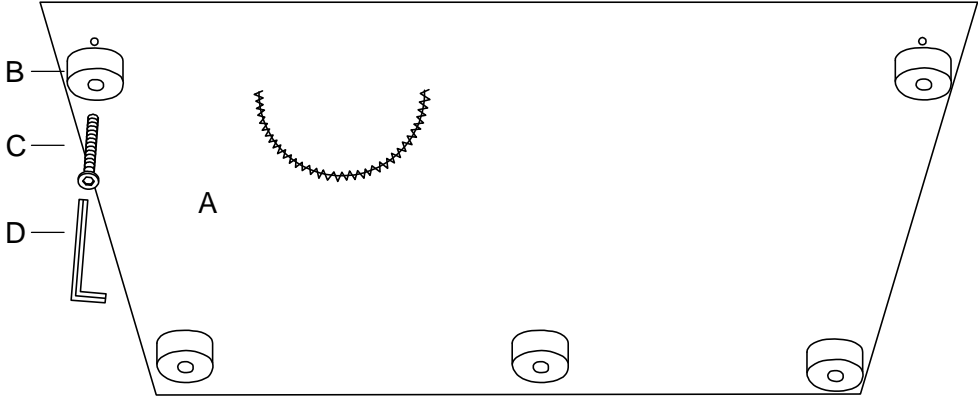
NO.	PARTS LIST	QTY	DESCRIPTION
A		1	RSF CHAISE

NO.	HARDWARE LIST	QTY	DESCRIPTION
B	 80*80*50mm	5	WOODEN LEGS
C	 M8*60mm	5	BOLT
D	 M5*100*38mm	1	ALLEN KEY

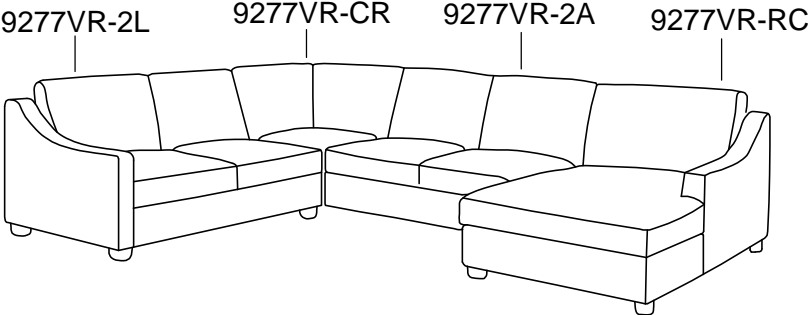
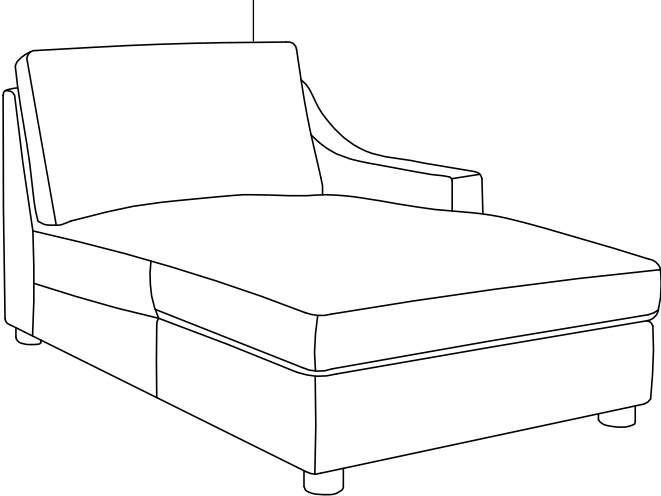
ASSEMBLY INSTRUCTION
ITEM NO: 194S9277VR-RC
RSF CHAISE

STEP 1

PARTS INSIDE



STEP 2 9277VR-RC



CARE INSTRUCTION FOR FABRIC FURNITURE

In order to maintain the original appearance of your fabric furniture, please follow below simple care procedures.
°Avoid exposing furniture directly to sunlight or heating and air conditioning outlets. Exposure to sunlight or heating and air conditioning outlets will fade/damage fabric.
°Wipe gently with a damp soft cloth to remove dust, dirt and any grime build up.