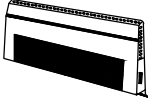



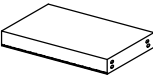

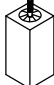








## **ASSEMBLY INSTRUCTIONS**

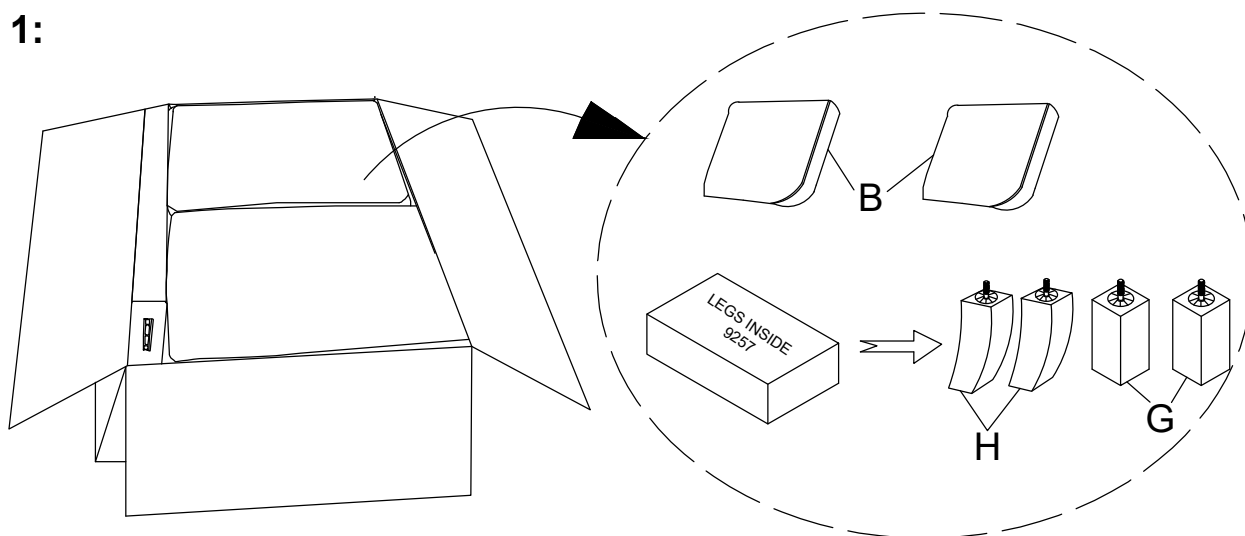
### **LOVE SEAT**

Note: Back Cushion, Legs and Hardware are stored in the box, please take out for assembly.

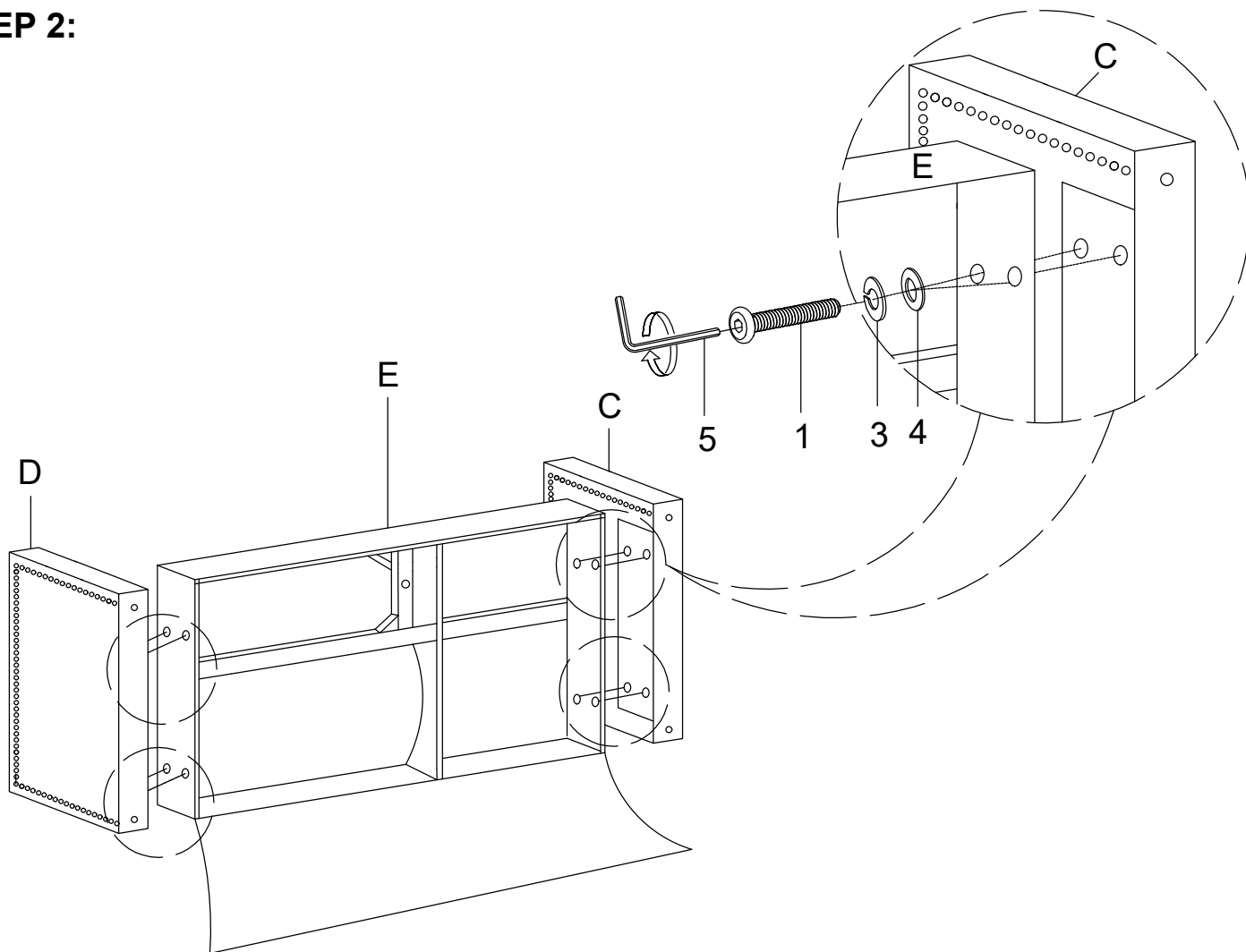
PART	DRAWING	DESCRIPTION	QTY
A		BACK REST	1 PC
B		BACK CUSHION	2 PCS
C		LSF ARM	1 PC
D		RSF ARM	1 PC
E		SEAT	1 PC
F		SEAT CUSHION	2 PCS
G		FRONT LEG	2 PCS
H		REAR LEG	2 PCS

PART	DRAWING	DESCRIPTION	QTY
1		BOLT Ø5/16"-23 x 1-1/2"L	8 PCS
2		BOLT Ø5/16"-50 x 2-1/8"L	1 PC
3		SPRING WASHER (Ø5/16")	9 PCS
4		FLAT WASHER (Ø5/16")	9 PCS
5		ALLEN KEY (M4)	1 PC

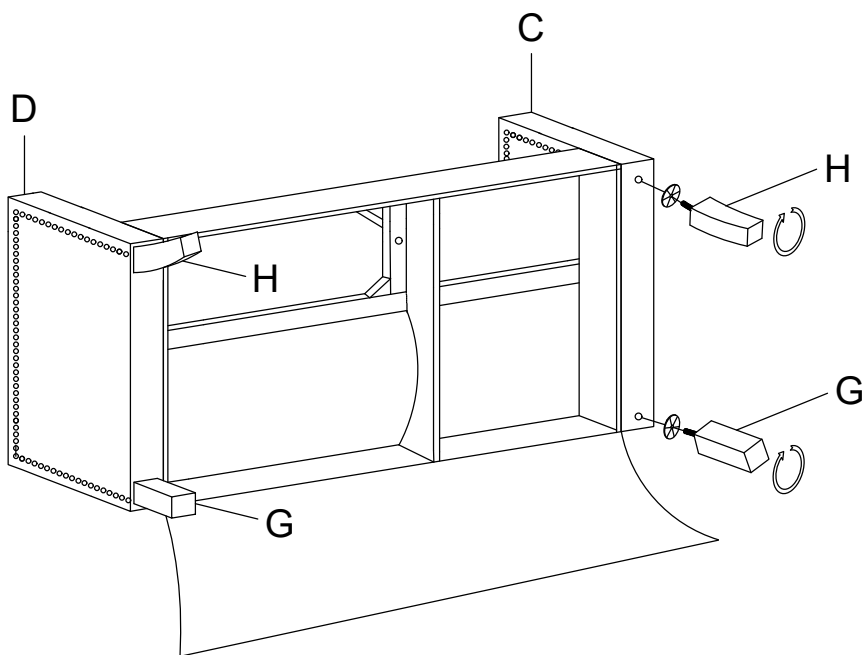
**STEP 1:**



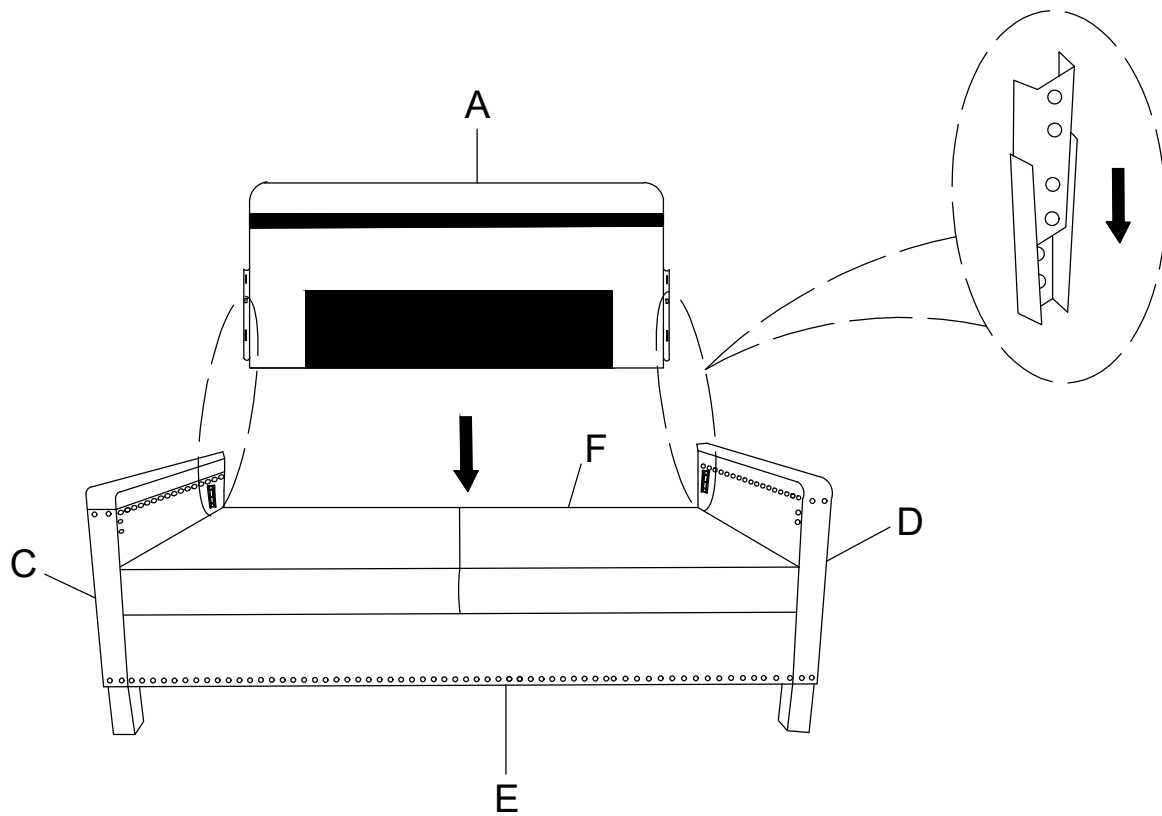
**STEP 2:**



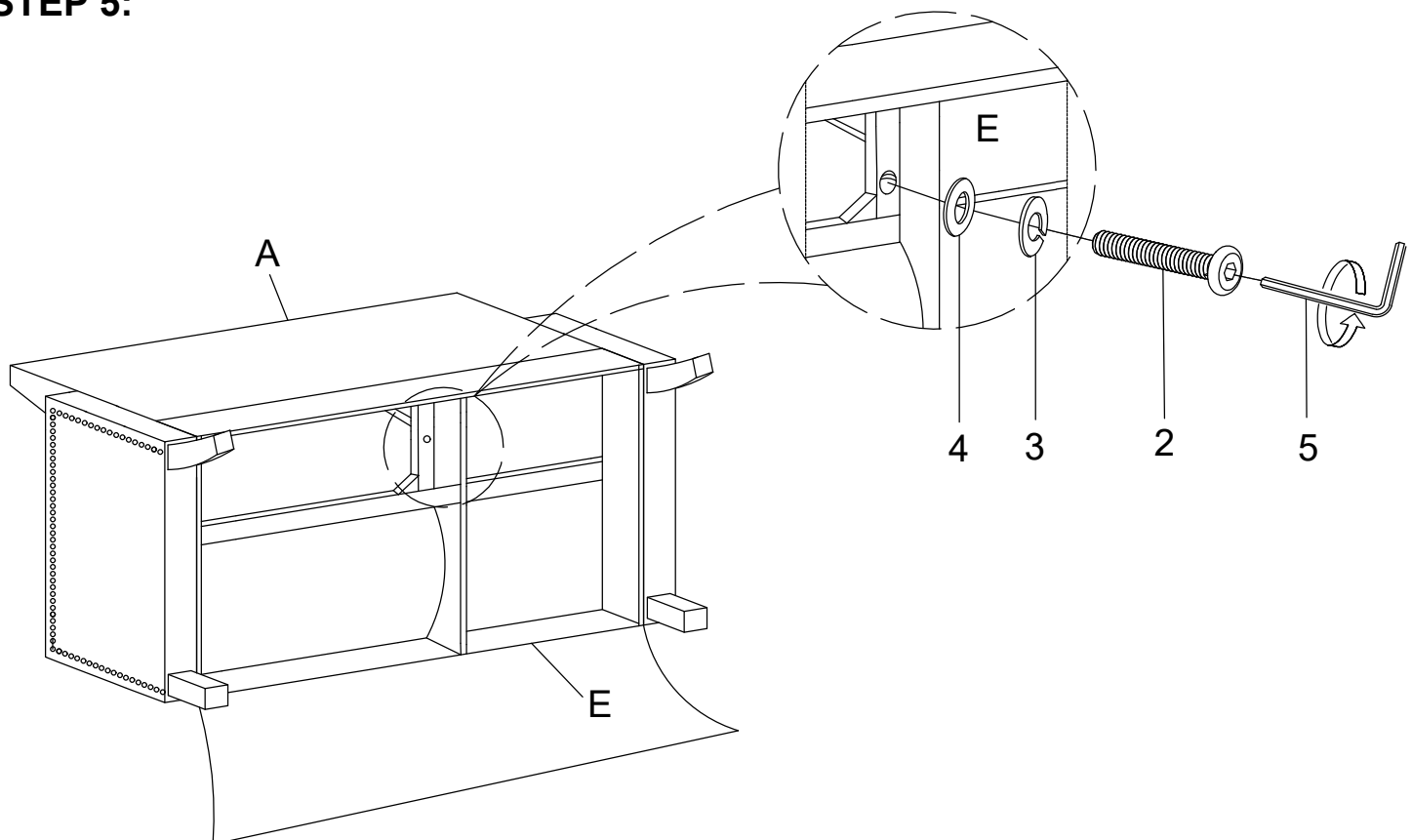
**STEP 3:**



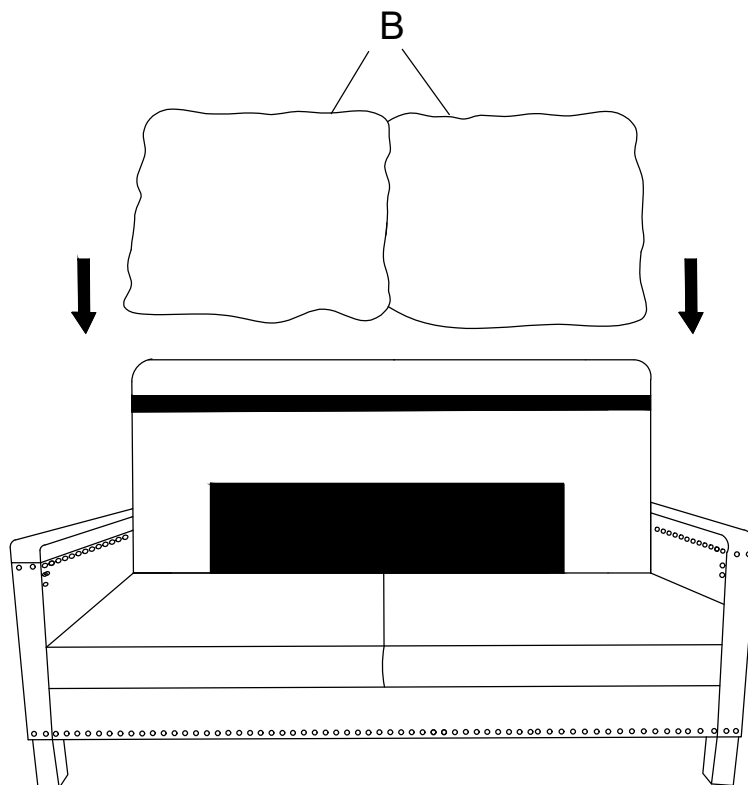
**STEP 4:**



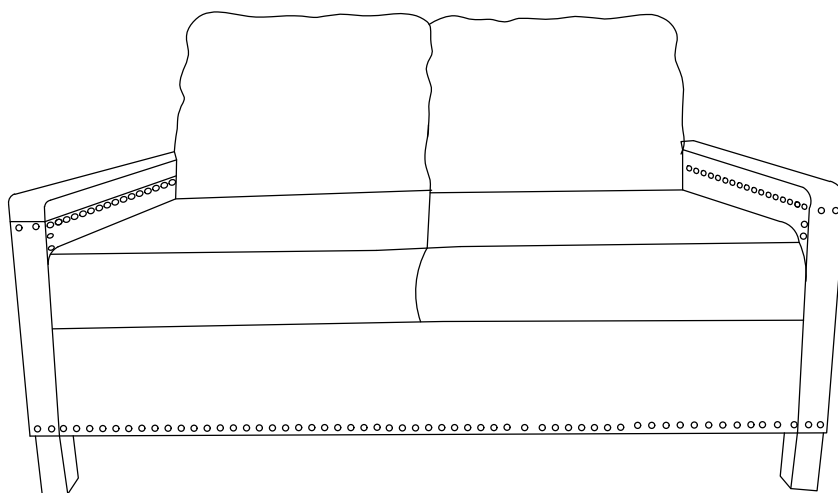
**STEP 5:**



## STEP 6:



## COMPLETED



## Care Instruction for Chenille Furniture:

In order to maintain the original appearance of your Chenille Furniture, please follow below simple care procedures:

- Avoid exposing furniture directly to sunlight or heating and air conditioning outlets. Sunlight and or exposure to heating and air conditioning outlets will fade/damage Chenille.
- Vacuum or wipe with a soft cloth to remove dust.

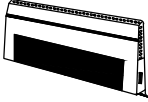

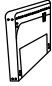

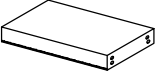

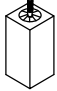









For items use on wooden floor, hard surfaces or carpets, it is recommended to Install protective pads under all legs and supports to avoid/prevent from damages/scratches and discoloration.

# ASSEMBLY INSTRUCTIONS

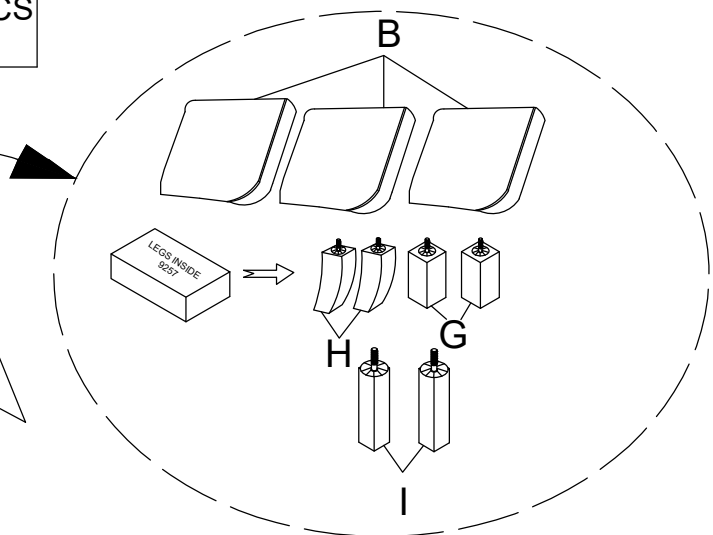
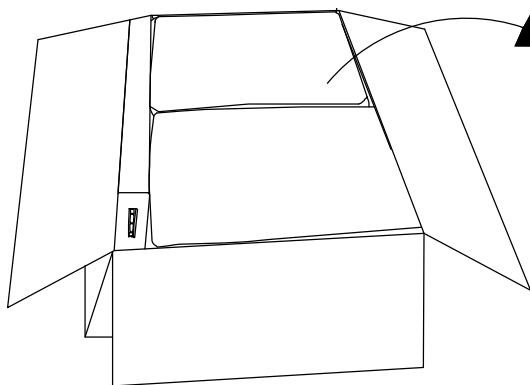
## SOFA

Note: Back Cushion, Legs and Hardware are stored in the box, please take out for assembly.

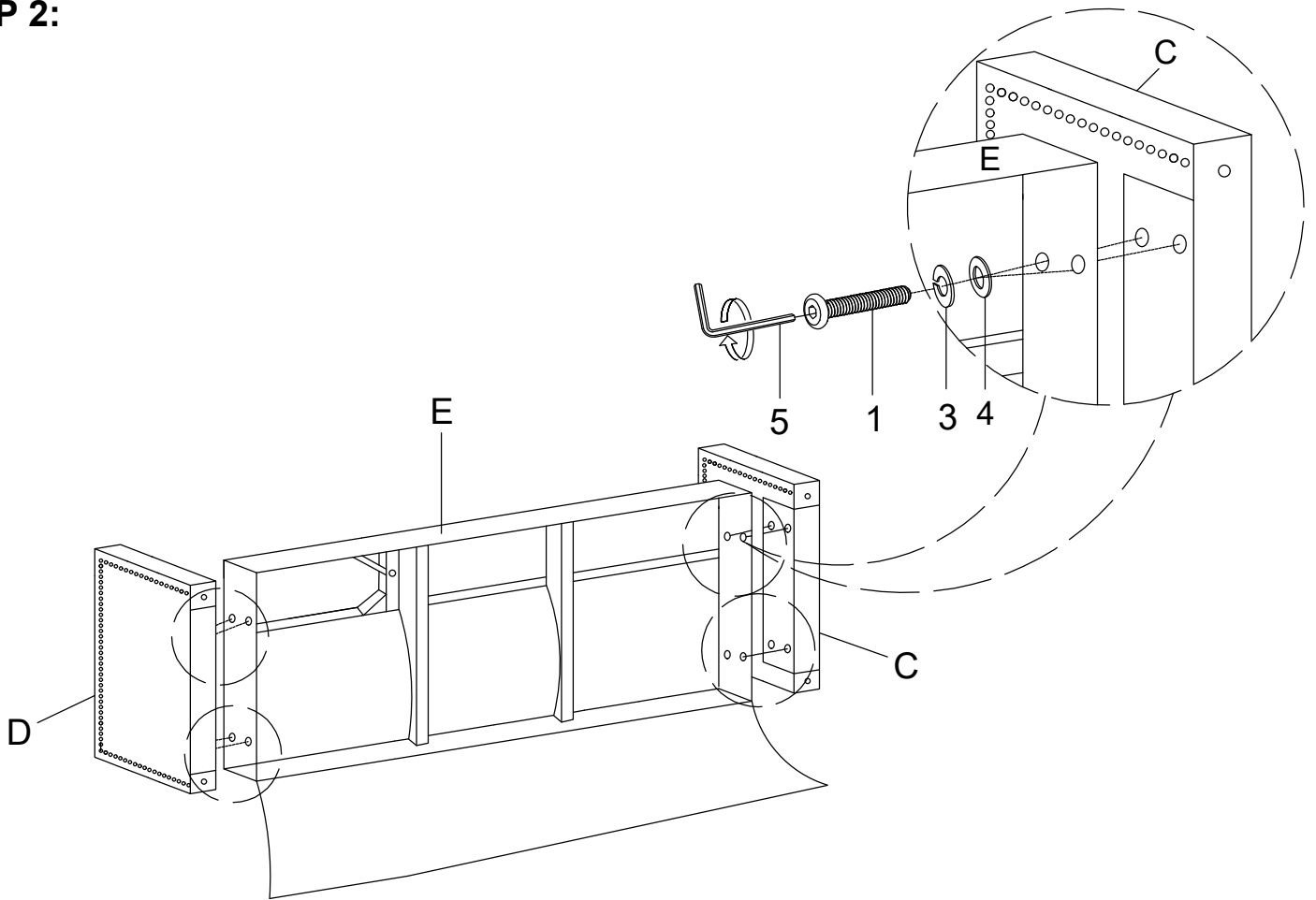
PART	DRAWING	DESCRIPTION	QTY
A		BACK REST	1 PC
B		BACK CUSHION	3 PCS
C		LSF ARM	1 PC
D		RSF ARM	1 PC
E		SEAT	1 PC
F		SEAT CUSHION	3 PCS
G		FRONT LEG	2 PCS
H		REAR LEG	2 PCS
I		SUPPORT LEG	2 PCS

PART	DRAWING	DESCRIPTION	QTY
1		BOLT Ø5/16"-23 x 1-1/2"L	8 PCS
2		BOLT Ø5/16"-50 x 2-1/8"L	2 PCS
3		SPRING WASHER (Ø5/16")	10 PCS
4		FLAT WASHER (Ø5/16")	10 PCS
5		ALLEN KEY (M4)	1 PC

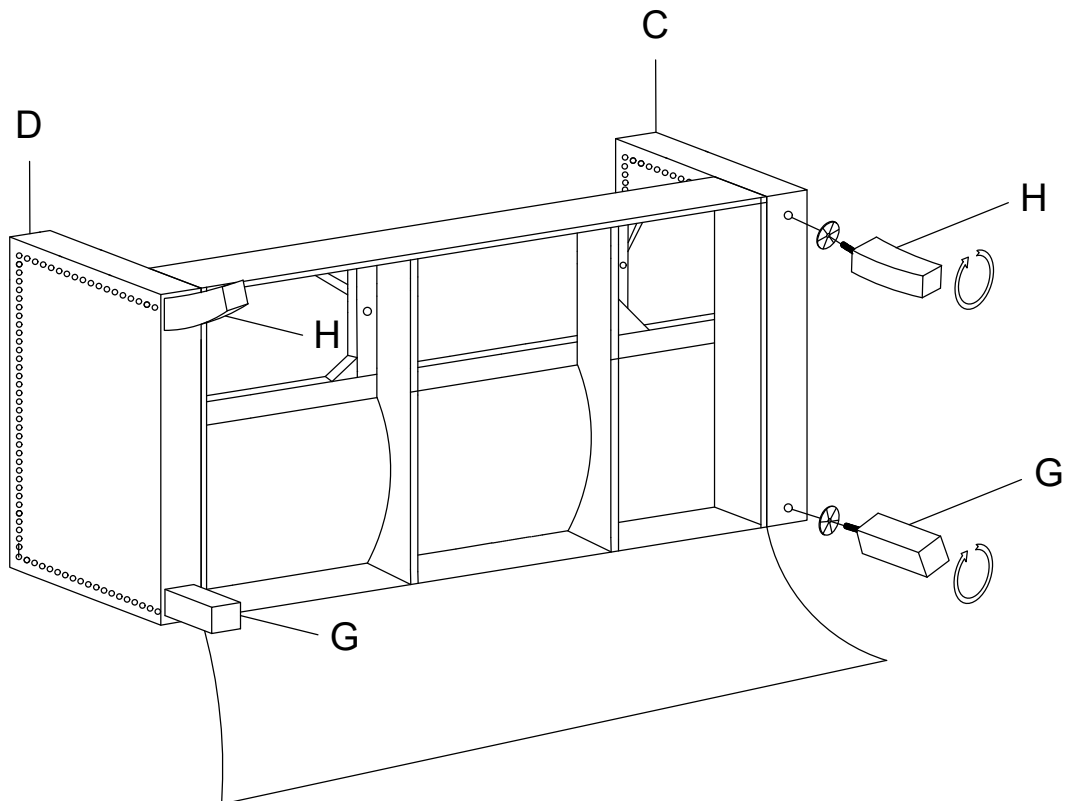
### STEP 1:



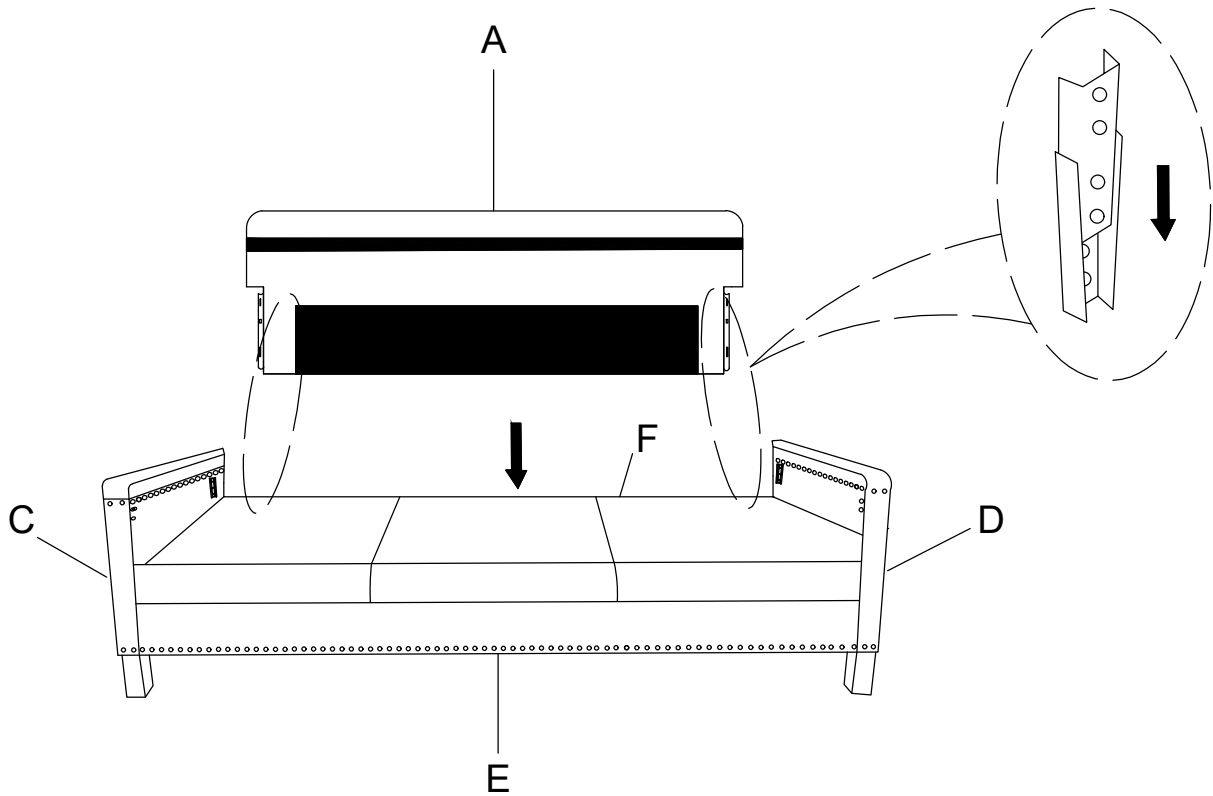
**STEP 2:**



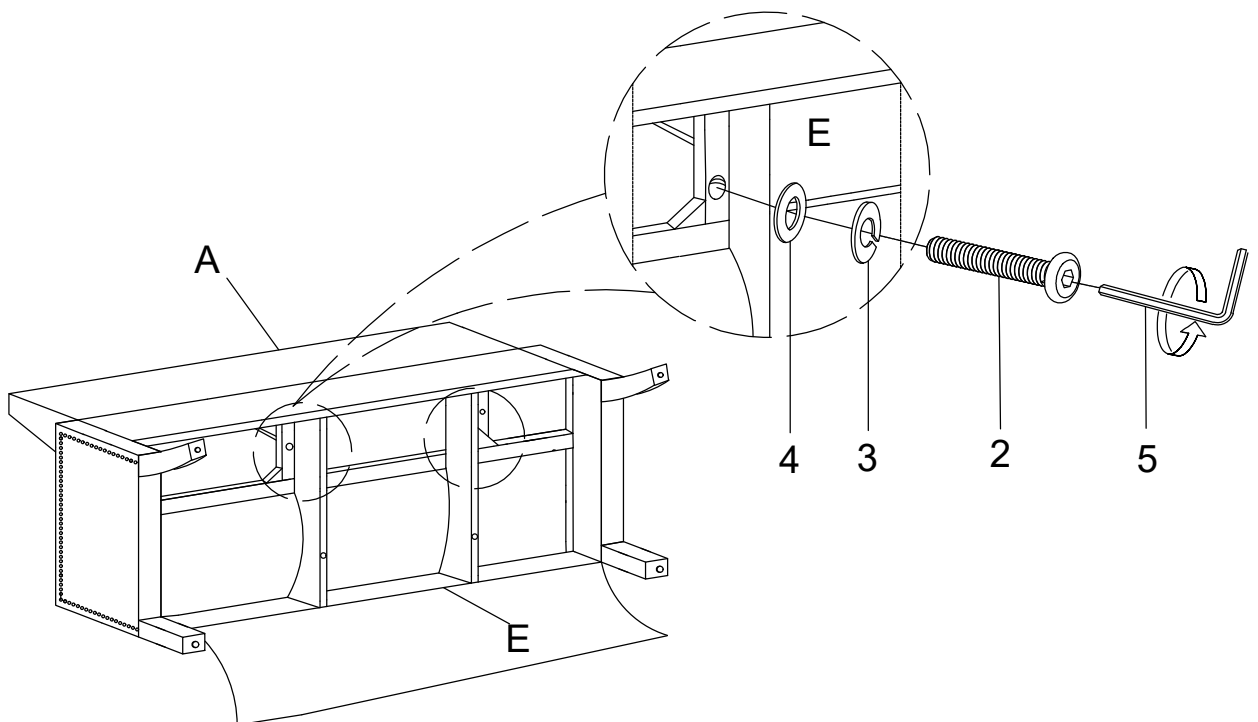
**STEP 3:**



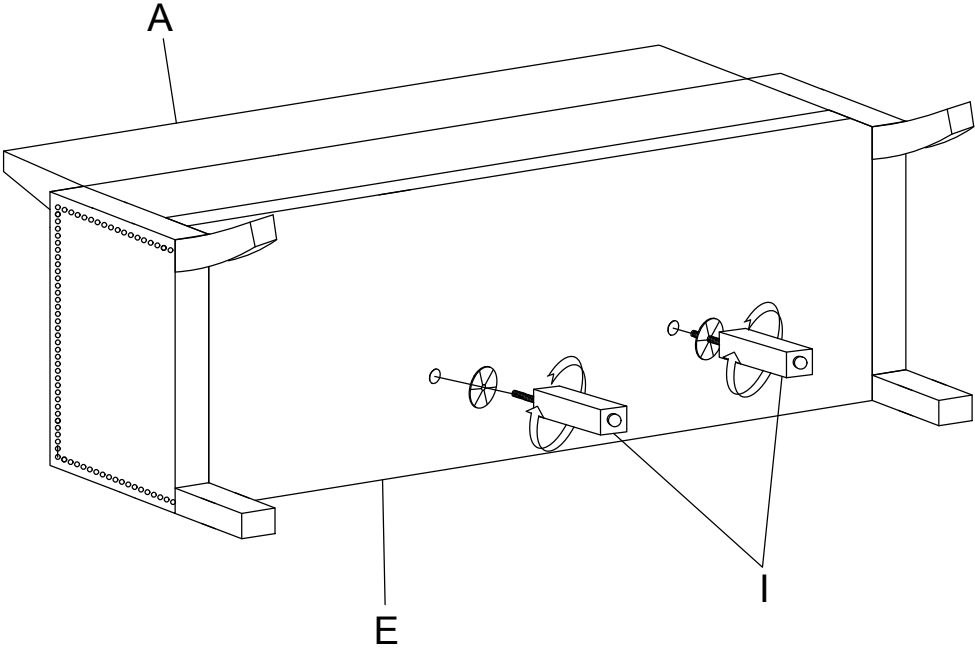
**STEP 4:**



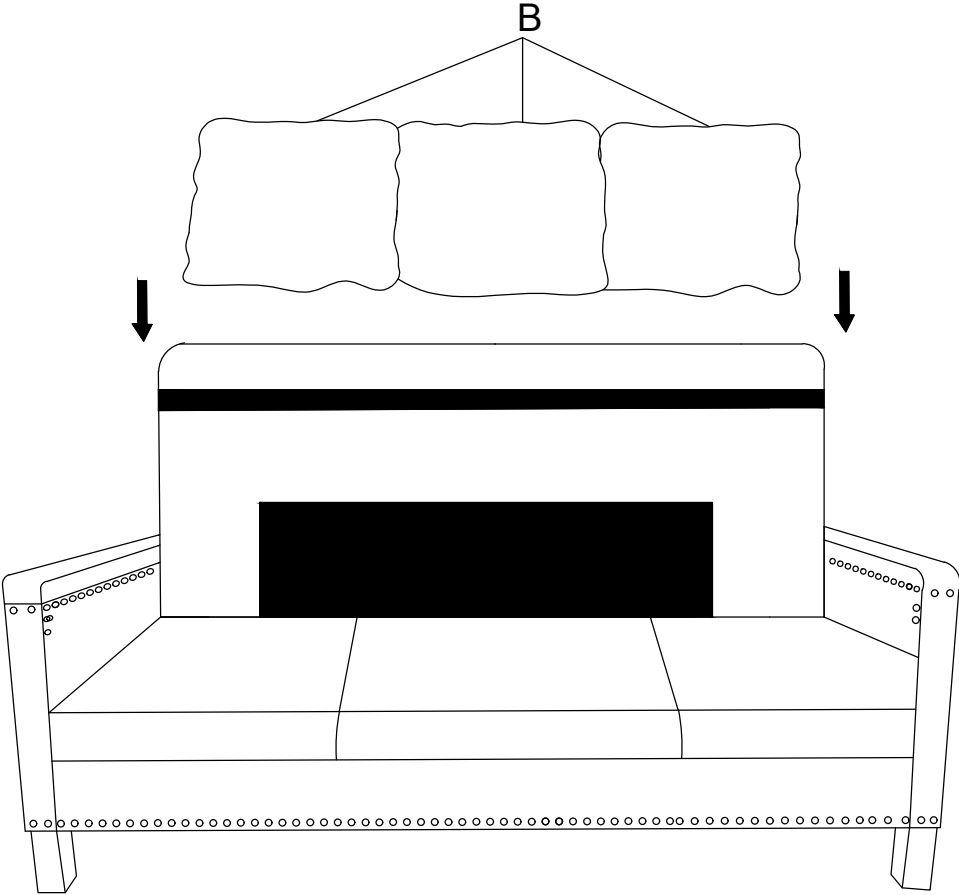
**STEP 5:**



**STEP 6:**

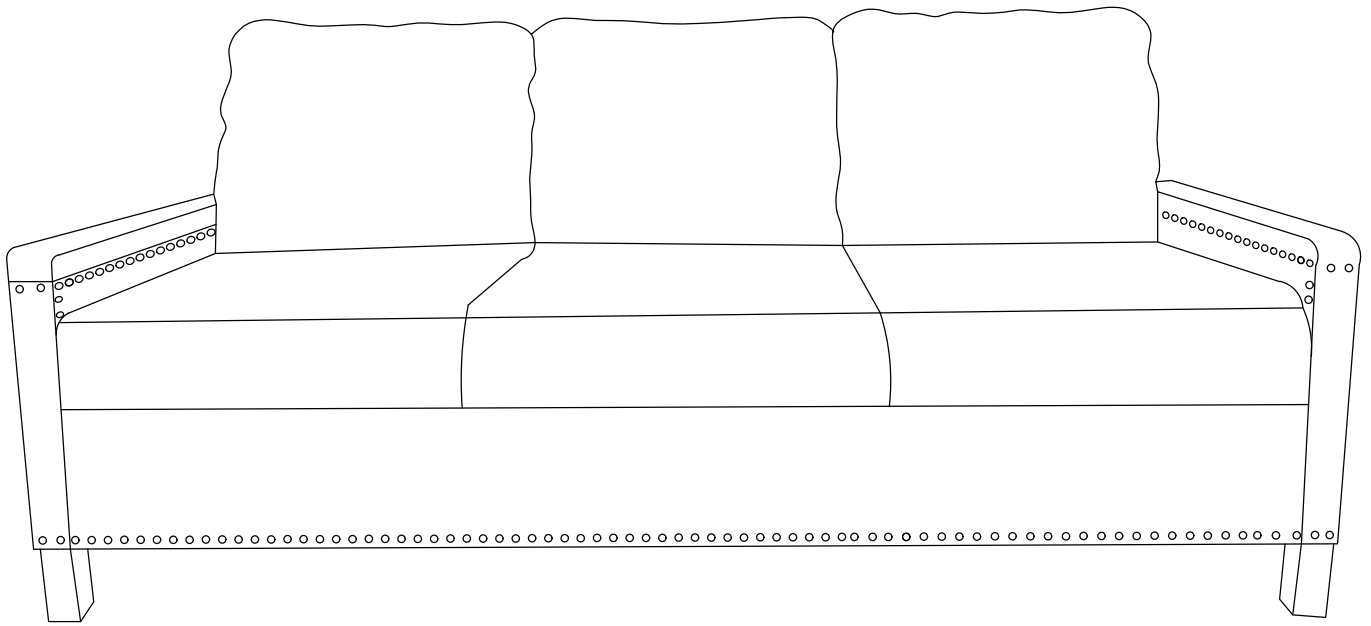


**STEP 7:**





**COMPLETED**



## Care Instruction for Chenille Furniture:

In order to maintain the original appearance of your Chenille Furniture, please follow below simple care procedures:

- Avoid exposing furniture directly to sunlight or heating and air conditioning outlets. Sunlight and or exposure to heating and air conditioning outlets will fade/damage Chenille.
- Vacuum or wipe with a soft cloth to remove dust.



For items use on wooden floor, hard surfaces or carpets, it is recommended to Install protective pads under all legs and supports to avoid/prevent from damages/scratches and discoloration.