

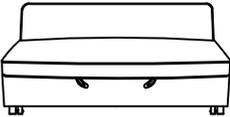
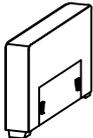
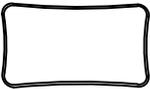
ASSEMBLY INSTRUCTIONS
ITEM NO: 194S9238GY-3CL
CONVERTIBLE STUDIO SOFA WITH
PULL-OUT BED



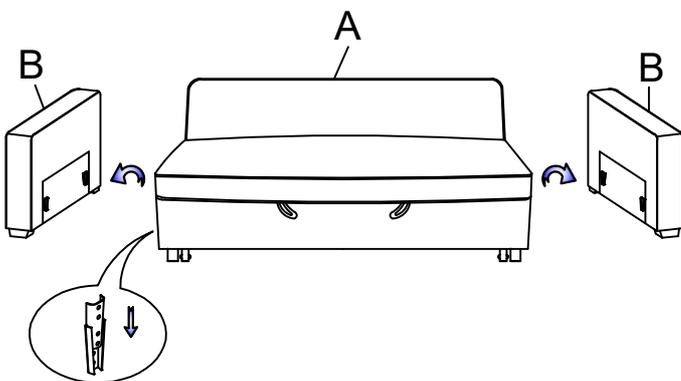
Arms and pillows are stored in the box, please take out them for assembly.

Note: Do not use power tools for assembly. Power tools increase the risk of over tightening which lead to splitting or cracking the wood.

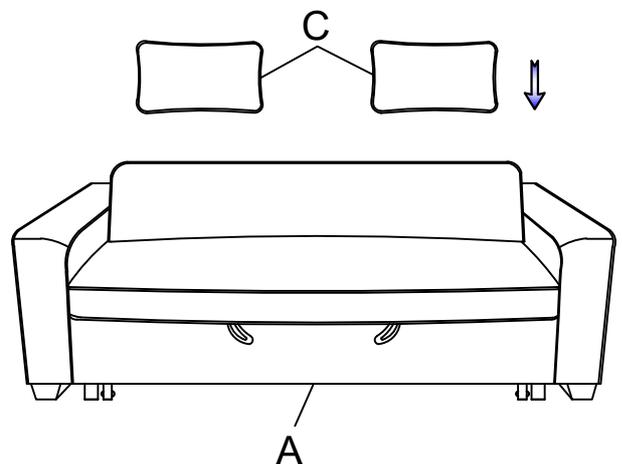
PARTS LIST

NO	DRAWING	QTY	DESCRIPTION
A		1 PC	Seat
B		2 PCS	Arm
C		2 PCS	Pillows □□□□ □□□□ □□

STEP 1:

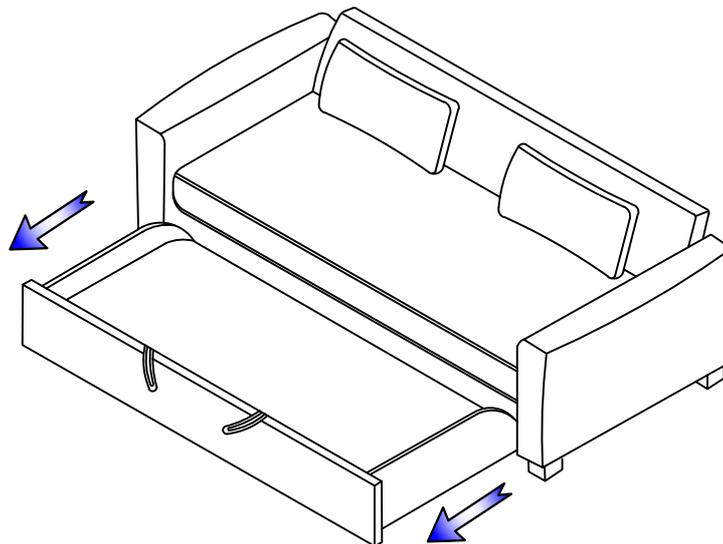


STEP 2:

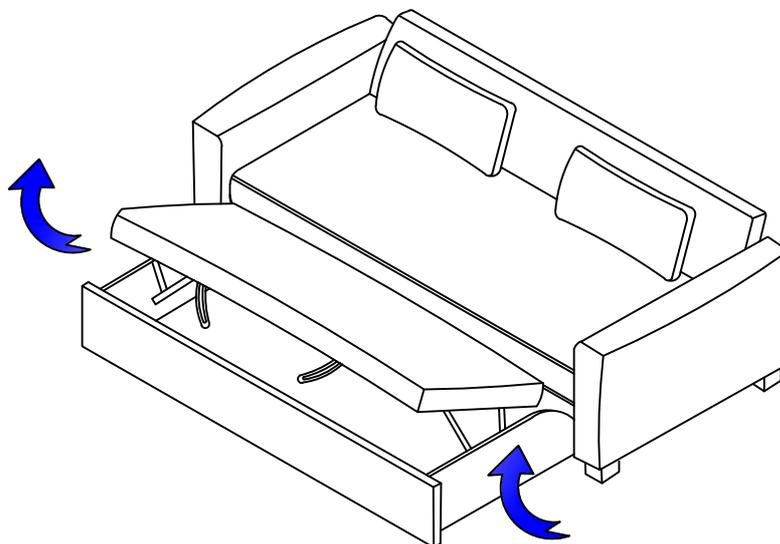


STEP 3:

Step 3.1:

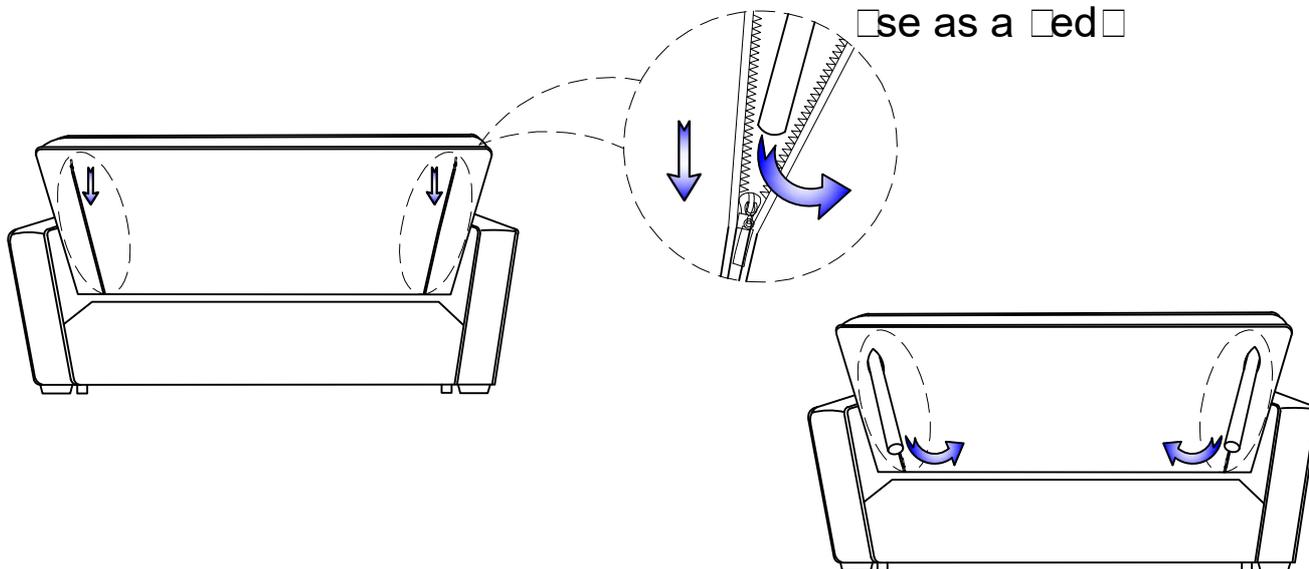


STEP 3.2:

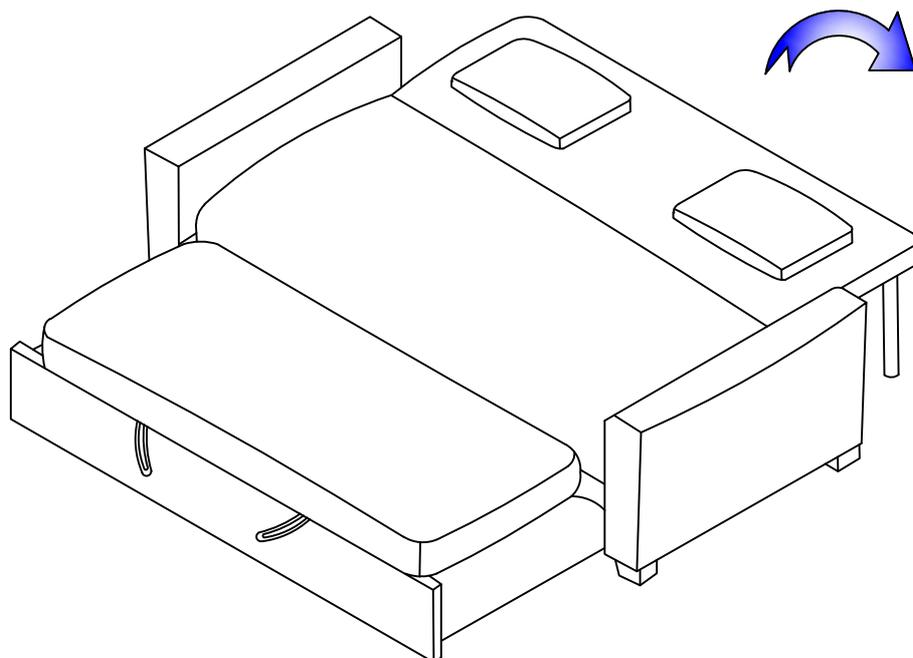


STEP 3.3:

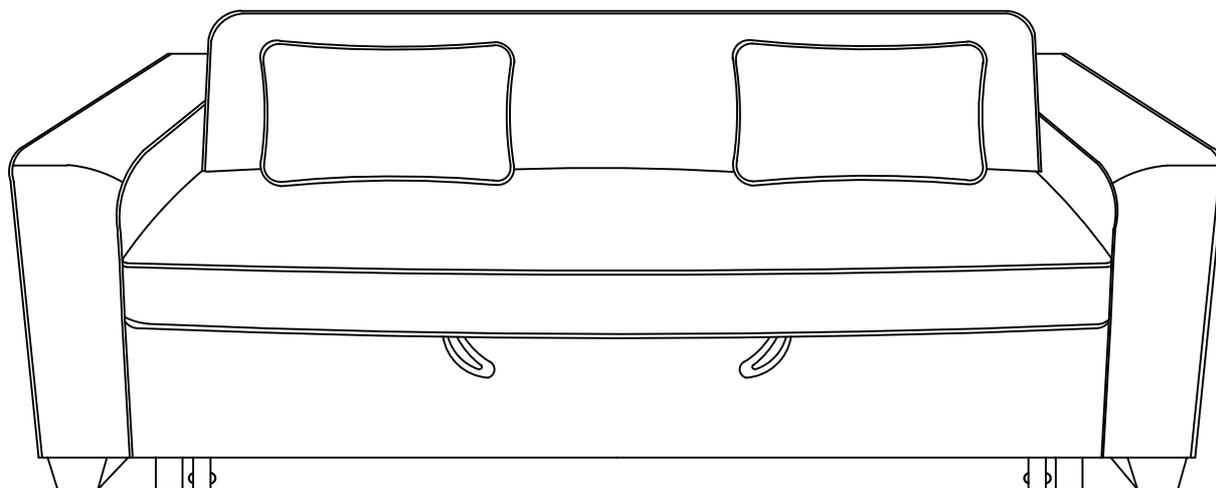
Remove the backrests from the sofa and take out the ties to use as a bed.



STEP 3.4:



STEP 4: Completed.



Care Instruction for Textured Furniture:

In order to maintain the original appearance of your Textured Furniture, please follow below simple care procedures:

- Avoid exposing furniture directly to sunlight or heating and air conditioning outlets. Sunlight and or exposure to heating and air conditioning outlets will fade/damage Textured.
- Vacuum or wipe with a soft cloth to remove dust.



For items use on wooden floor, hard surfaces or carpets, it is recommended to Install protective pads under all legs and supports to avoid/prevent from damages/scratches and discoloration.