

Assembly Instruction



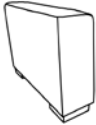

(1/2) Left Side 2-Seater with Adjustable Headrests and Pull-out Bed



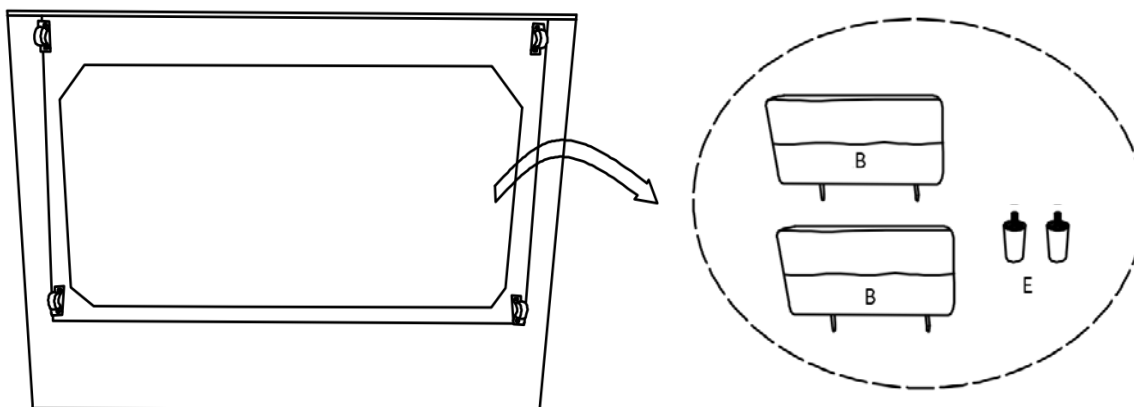
Parts are stored at the bottom of the seat, please take out for assembly.
(LSF ARM stored in 2-Seater Corner Seat)

Note: Do not use power tools for assembly. Power tools increase the risk of over tightening which lead to splitting or cracking the wood.

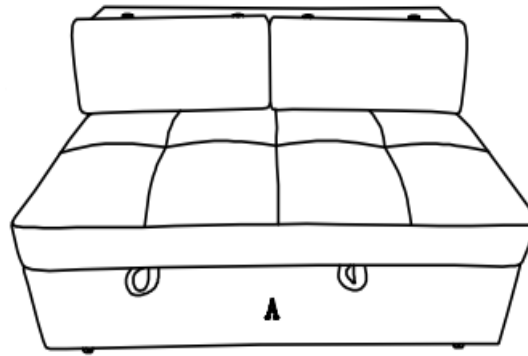
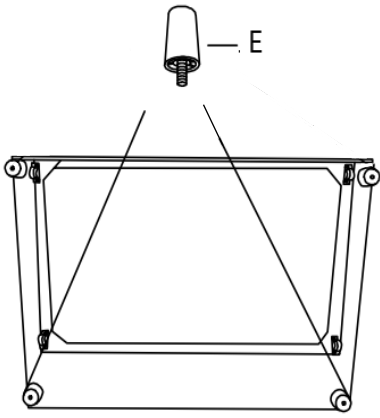
Component list

No	Drawing	Qty	Description
A		1	LSF 2 SEATER
B		2	ADJUSTABLE HEADREST
C		1	LSF ARM (ARM IS PACKED IN -2CR)
E		2	PLASTIC LEG(φ60x50mm)

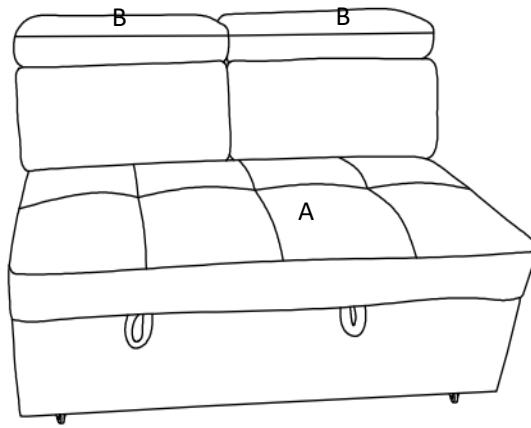
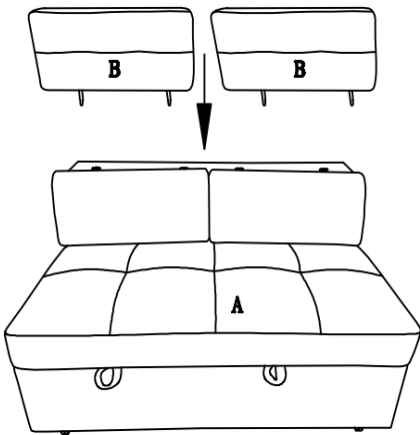
Step #1



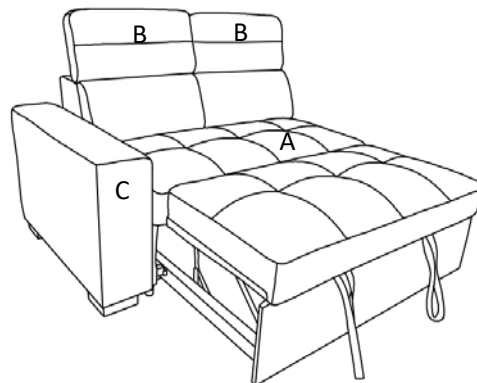
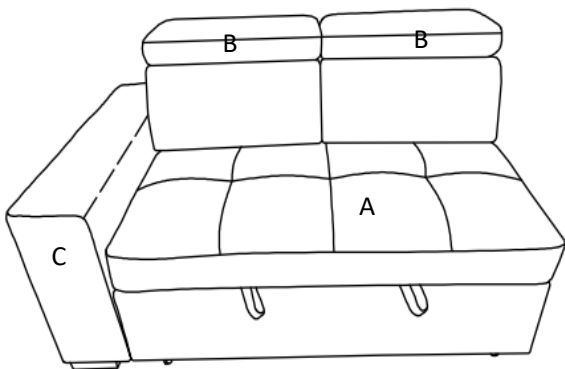
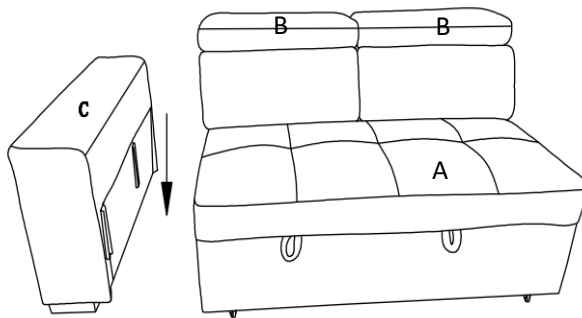
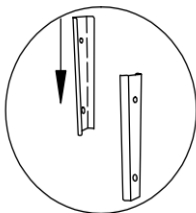
Step #2



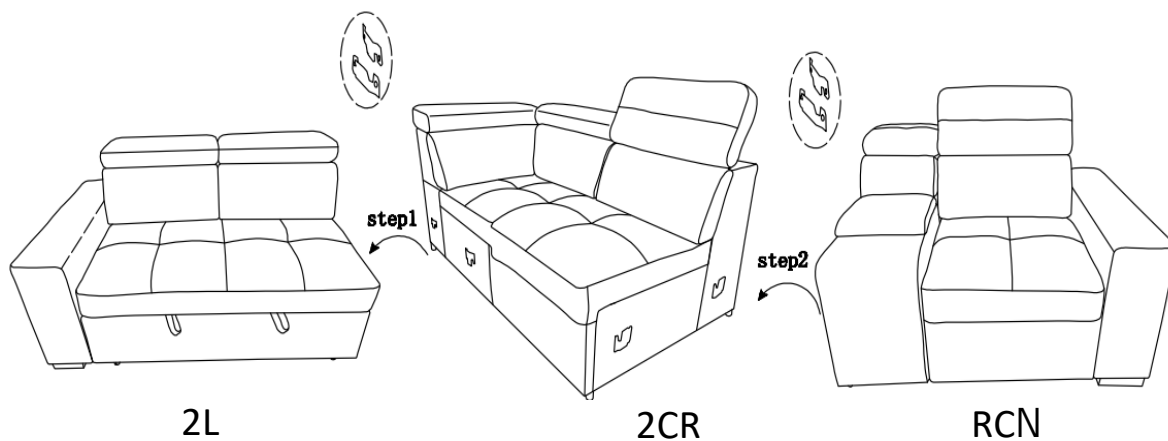
Step #3



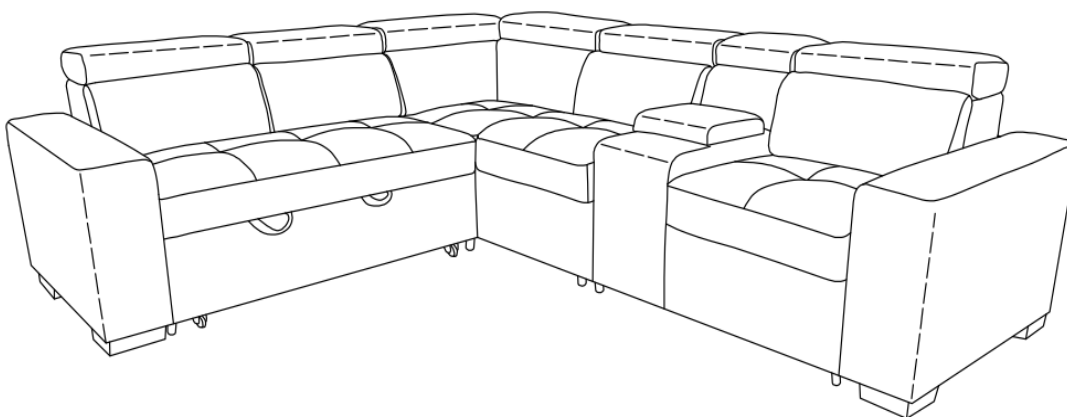
Step #4



Step #5



Step #6



Care Instruction for Polished Microfiber Furniture:

In order to maintain the original appearance of your polished microfiber furniture, please follow below simple care procedures:

- Avoid exposing furniture directly to sunlight or heating and air conditioning outlets. Sunlight and or exposure to heating and air conditioning outlets will fade/damage polished microfiber.
- Vacuum or wipe with a soft cloth to remove dust.



For items use on wooden floor, hard surfaces or carpets, it is recommended to Install protective pads under all legs and supports to avoid/prevent from damages/scratches and discoloration.



Assembly Instruction (2/2) Right Side Chair with Adjustable Headrest and Console



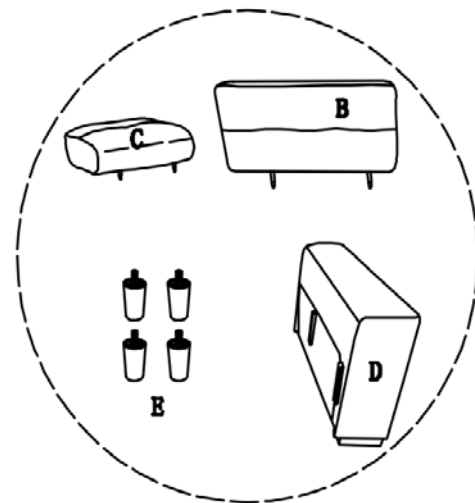
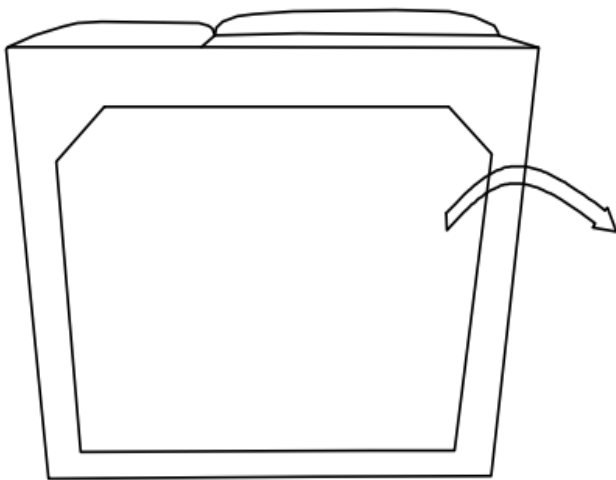
Parts are stored at the bottom of the seat, please take out for assembly.

Note: Do not use power tools for assembly. Power tools increase the risk of over tightening which lead to splitting or cracking the wood.

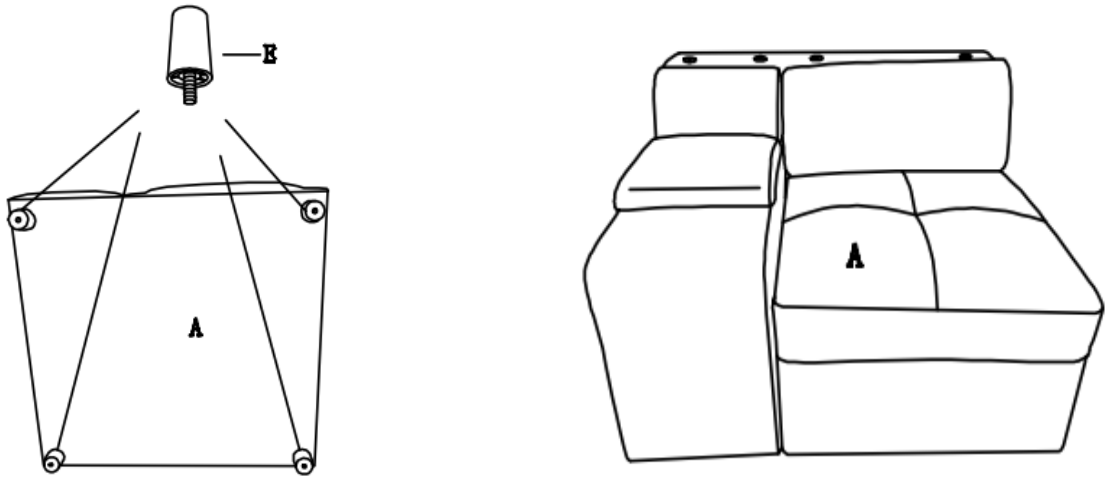
Component list

No	Drawing	Qty	Description
A		1	RSF CHAIR & CONSOLE
B		1	ADJUSTABLE HEADREST
C		1	CONSOLE HEADREST
D		1	RSF ARM
E		4	PLASTIC LEG(ϕ 60x50mm)

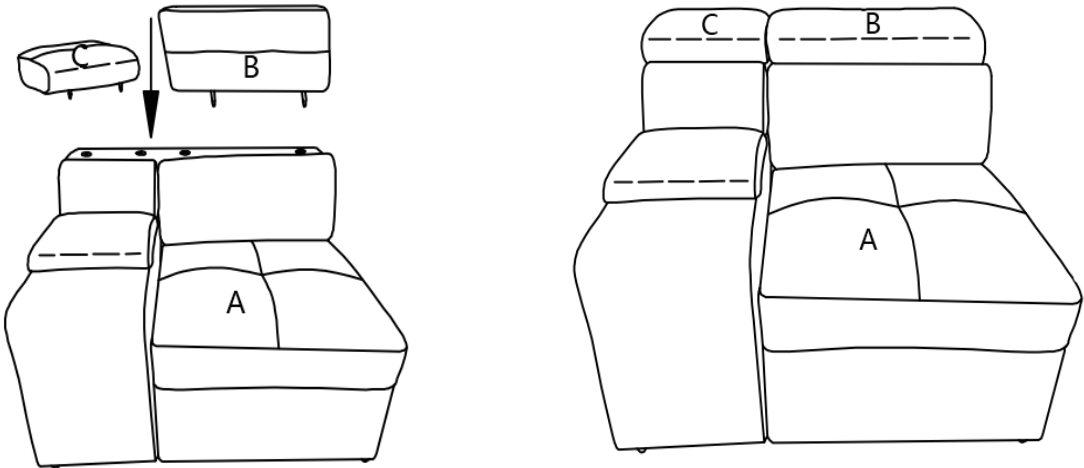
Step #1



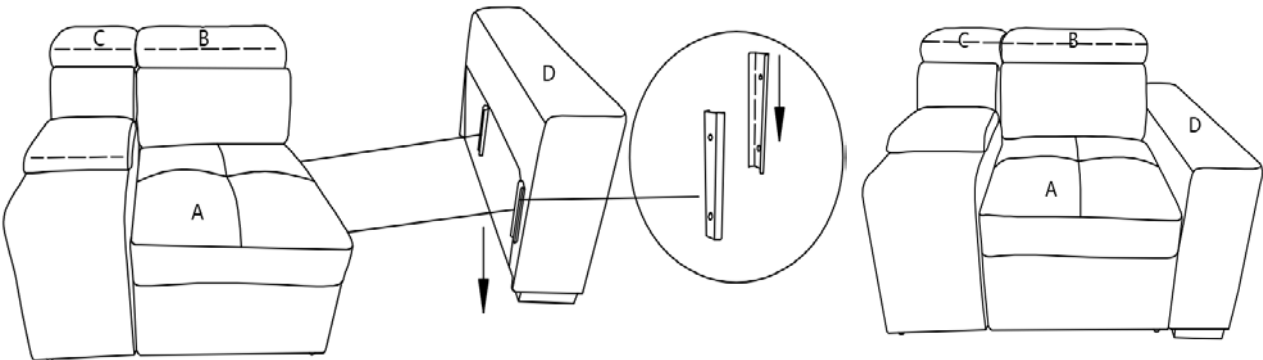
Step #2



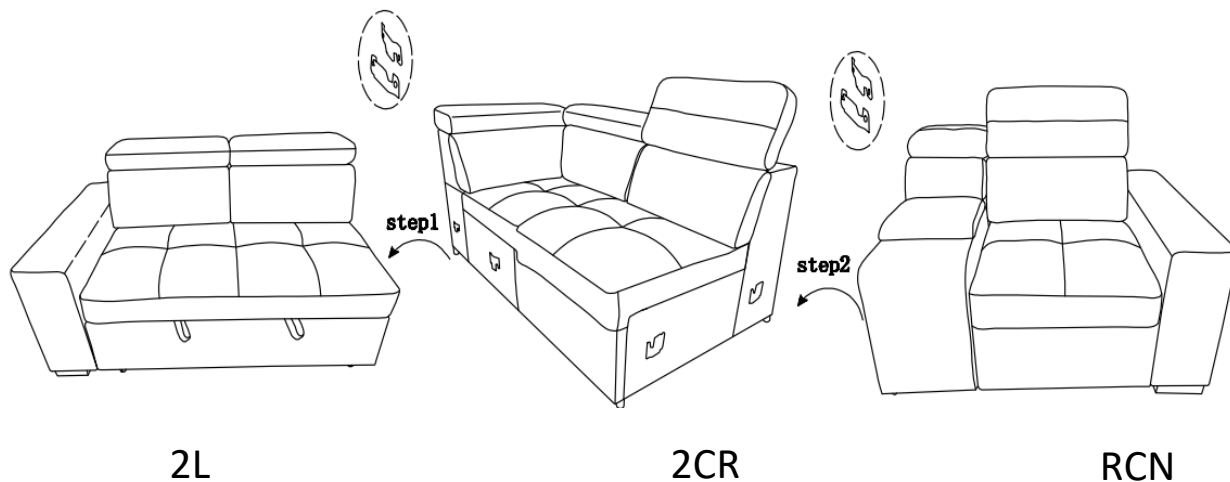
Step #3



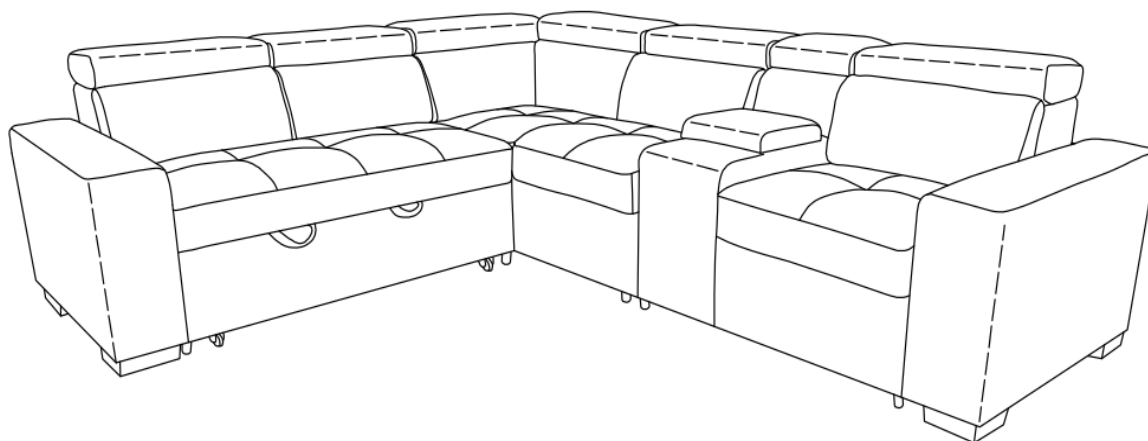
Step #4



Step #5



Step #6



Care Instruction for Polished Microfiber Furniture:

In order to maintain the original appearance of your polished microfiber furniture, please follow below simple care procedures:

- Avoid exposing furniture directly to sunlight or heating and air conditioning outlets. Sunlight and or exposure to heating and air conditioning outlets will fade/damage polished microfiber.
- Vacuum or wipe with a soft cloth to remove dust.



For items use on wooden floor, hard surfaces or carpets, it is recommended to Install protective pads under all legs and supports to avoid/prevent from damages/scratches and discoloration.