

# ASSEMBLY INSTRUCTION

## Love Seat



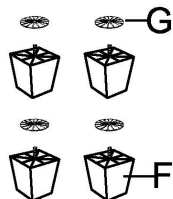
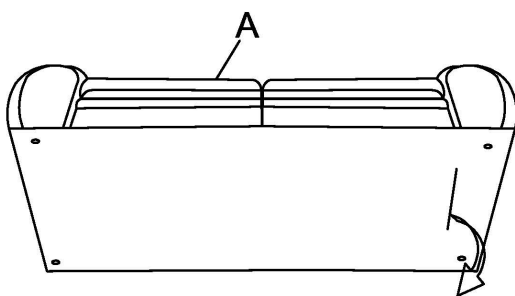
Legs and hardware are stored in the bottom of the seat.  
Please take out for assembly.

Note: Do not use power tools for assembly. Power tools increase the risk of over tightening which lead to splitting or cracking the wood.

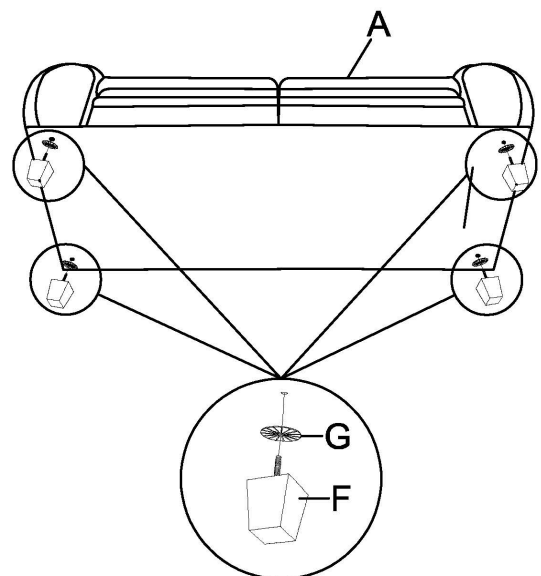
### COMPONENT LIST

NO.	DRAWING	QTY	DESCRIPTION	NO.	DRAWING	QTY	DESCRIPTION
A		1 PC	SEAT	E		2 PCS	PILLOW
B		1 PC	BACK REST	F		4 PCS	PLASTIC LEG
C		1 PC	RSF BACK CUSHION	G		4 PCS	GASKETS
D		1 PC	LSF BACK CUSHION				

#### step #1



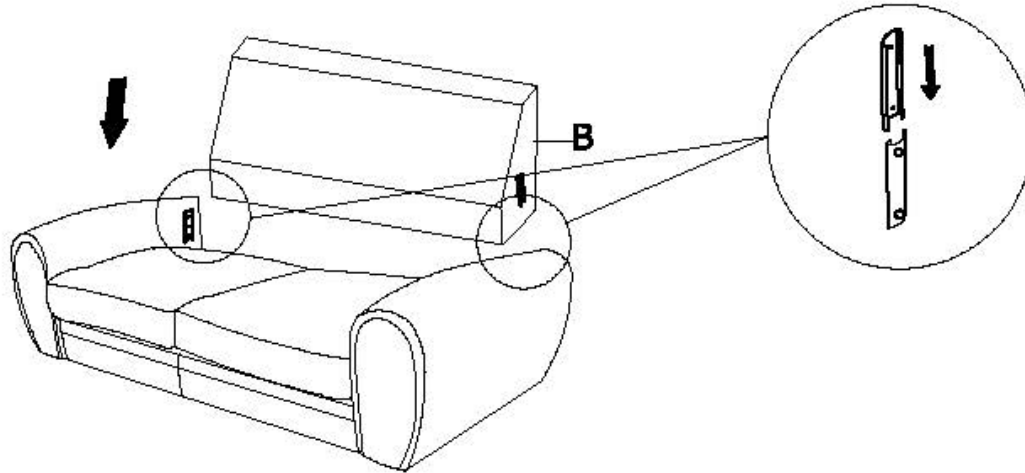
#### step #2



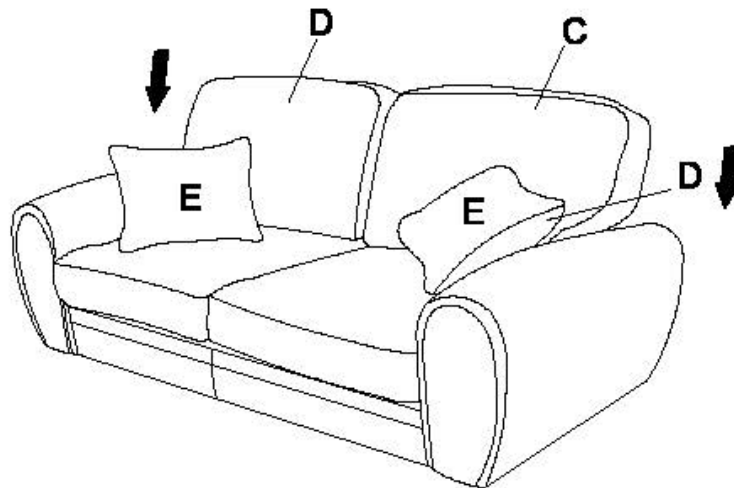
# ASSEMBLY INSTRUCTION

## Love Seat

### step #3



### step #4



### Care Instruction for Chenille Furniture:

In order to maintain the original appearance of your

please follow below simple care procedures: Chenille Furniture.

- Avoid exposing furniture directly to sunlight or heating and air conditioning outlets. Sunlight and or exposure to heating and air conditioning outlets will fade/damage Chenille Furniture.
- Vacuum or wipe with a soft cloth to remove dust.



For items use on wooden floor, hard surfaces or carpets, it is recommended to Install protective pads under all legs and supports to avoid/prevent from damages/scratches and discoloration.

# ASSEMBLY INSTRUCTION

## Sofa



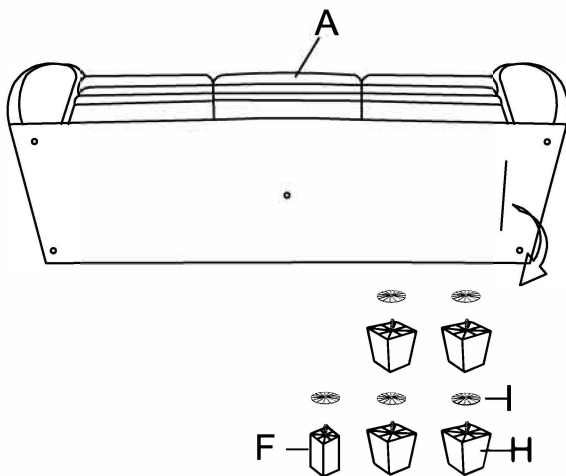
Legs and hardware are stored in the bottom of the seat.  
Please take out for assembly.

Note: Do not use power tools for assembly. Power tools increase the risk of over tightening which lead to splitting or cracking the wood.

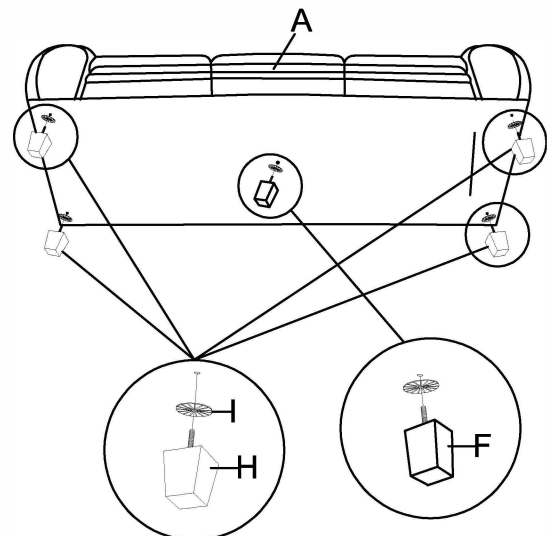
### COMPONENT LIST

NO.	DRAWING	QTY	DESCRIPTION	NO.	DRAWING	QTY	DESCRIPTION
A		1 PC	SEAT	F		1 PC	CENTER SUPPORT PLASTIC LEG
B		1 PC	BACK REST	G		2 PCS	PILLOW
C		1 PC	RSF BACK CUSHION	H		4 PCS	PLASTIC LEG
D		1 PC	LSF BACK CUSHION	I		5 PCS	GASKETS
E		1 PC	MIDDLE BACK CUSHION				

#### step #1



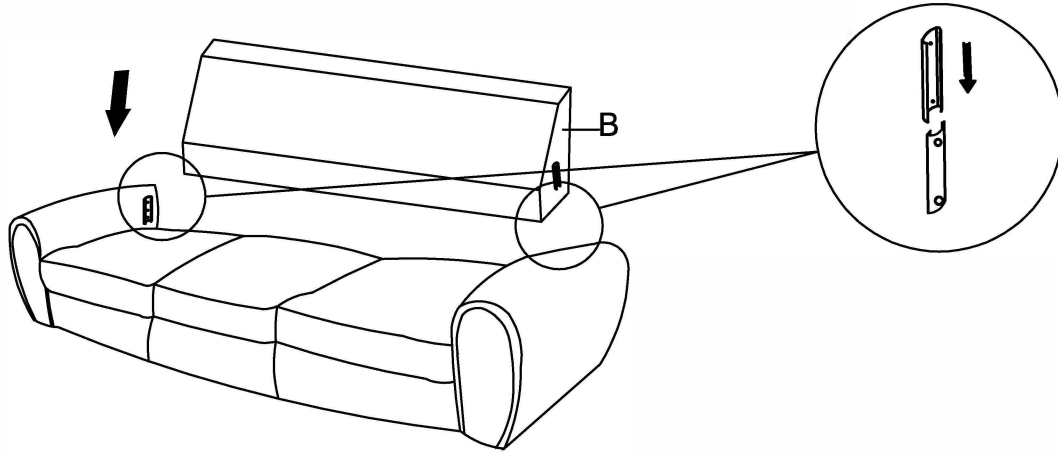
#### step #2



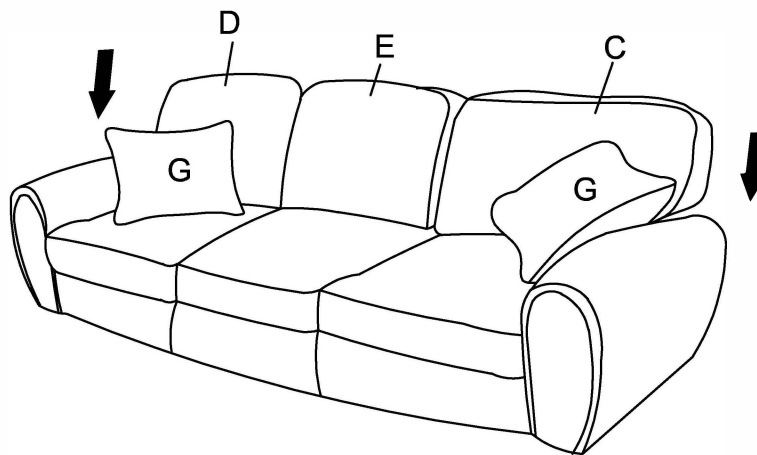
# ASSEMBLY INSTRUCTION

## Sofa

step #3



step #4



### Care Instruction for Chenille Furniture:

In order to maintain the original appearance of your

please follow below simple care procedures: Chenille Furniture.

- Avoid exposing furniture directly to sunlight or heating and air conditioning outlets. Sunlight and or exposure to heating and air conditioning outlets will fade/damage Chenille Furniture.
- Vacuum or wipe with a soft cloth to remove dust.



For items use on wooden floor, hard surfaces or carpets, it is recommended to Install protective pads under all legs and supports to avoid/prevent from damages/scratches and discoloration.