

ASSEMBLY INSTRUCTION
ITEM NO: 194S8570-3
SOFA, 5 PILLOWS

Thank you for being our valued customer. Be sure to check all packing materials carefully for small parts which may have come loose inside the carton during shipment. Identify and count all items and compare them with the parts list below.




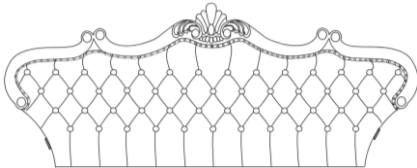




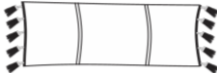

CAUTION: Read the Instructions carefully before assembly.

1. We recommend that you assemble this product with the assistance of another person to eliminate the risk of injury to the product during assembly.





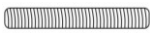


2. When you want to reposition the product, please always "LIFT & MOVE".

NOTE: Do not use power tools for assembly. Power tools increase the risk of over tightening which leads to splitting or cracking the wood.

PARTS LIST

NO.	DESCRIPTION	PART NAME	Q'TY (PC)
①	SEAT FRAME		1
②	LEFT ARM		1
③	RIGHT ARM		1
④	BACK REST		1
⑤	SEAT CUSHION		2
⑥	POLY LEG		4
⑦	PILLOW 1		2
⑧	PILLOW 2		2
⑨	KIDNEY PILLOW		1
⑩	WOODEN SUPPORT LEG		1

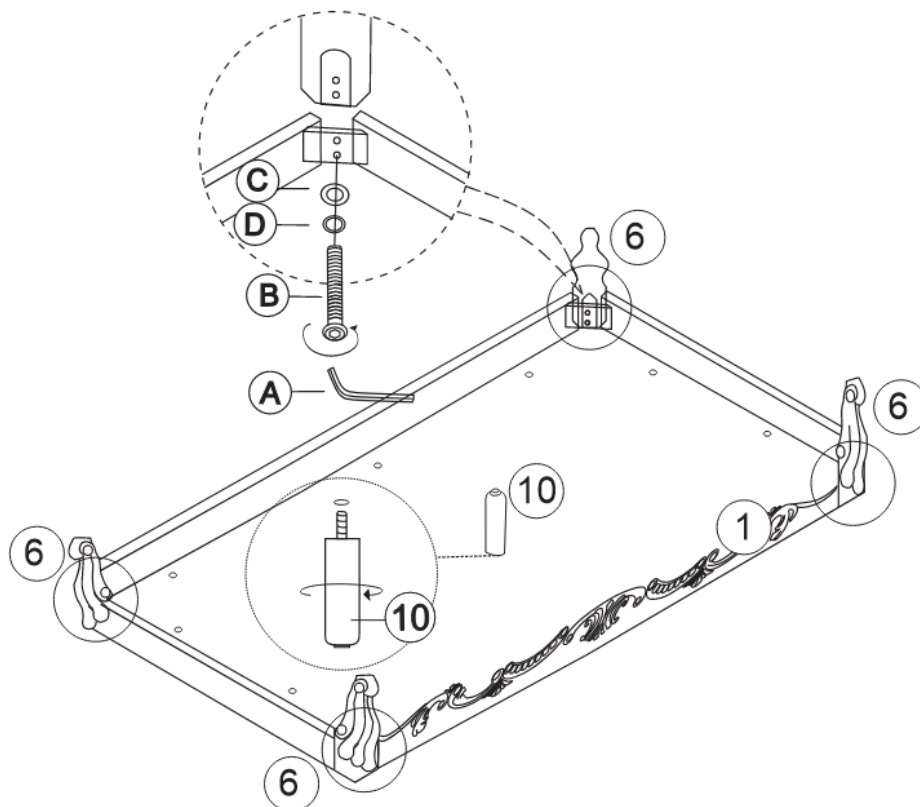
HARDWARE LIST

NO.	PART NAME	SKETCH	Q'TY (PC)
Ⓐ	ALLEN KEY Ø5/16"		1
Ⓑ	BOLT Ø5/16"x2 1/2"		8
Ⓒ	FLAT WASHER Ø5/16"x7/8"		15
Ⓓ	LOCK WASHER Ø5/16"x1/2"		15
Ⓔ	THREAD BOLT Ø 5/16 x 3/4"		7
Ⓕ	HEX NUT Ø5/16 x 1/2"		7
Ⓖ	WRENCH 1/2" x 3/2"		1

How to assemble:

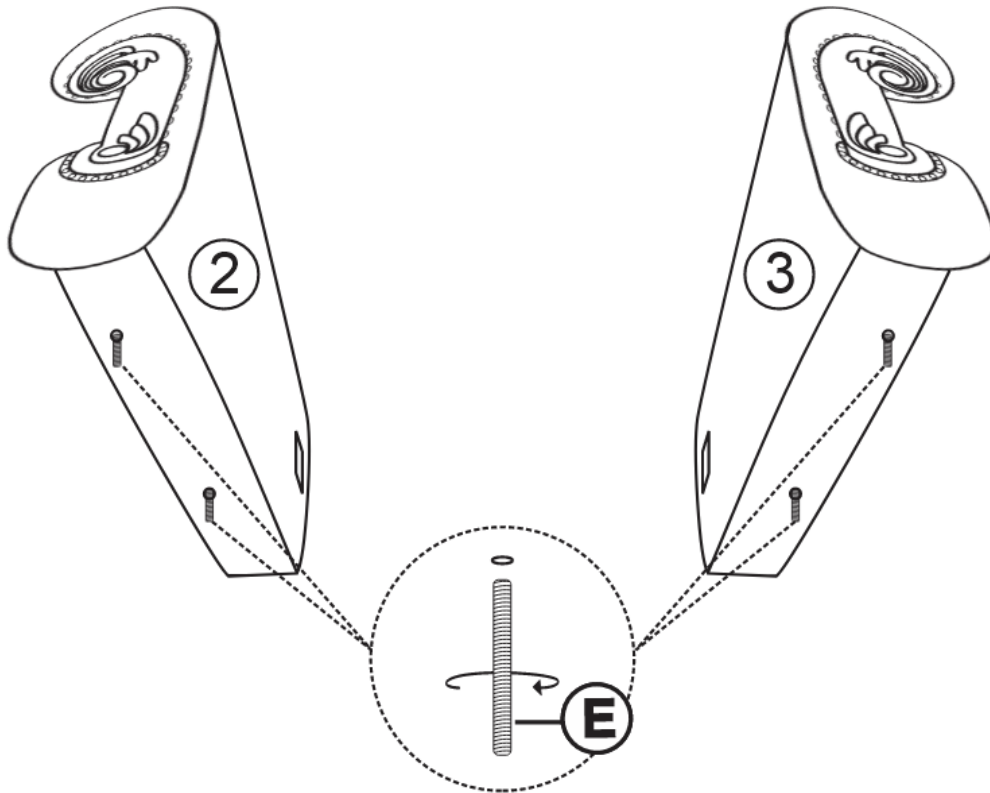
STEP 1:

Flip the bottom of the chair on, align and attach legs (6) to the seat frame (1), using bolt (B) with lock washer (D) and flat washer (C) and securing with the allen key (A). Screw the support leg (10) to the seat frame (1).



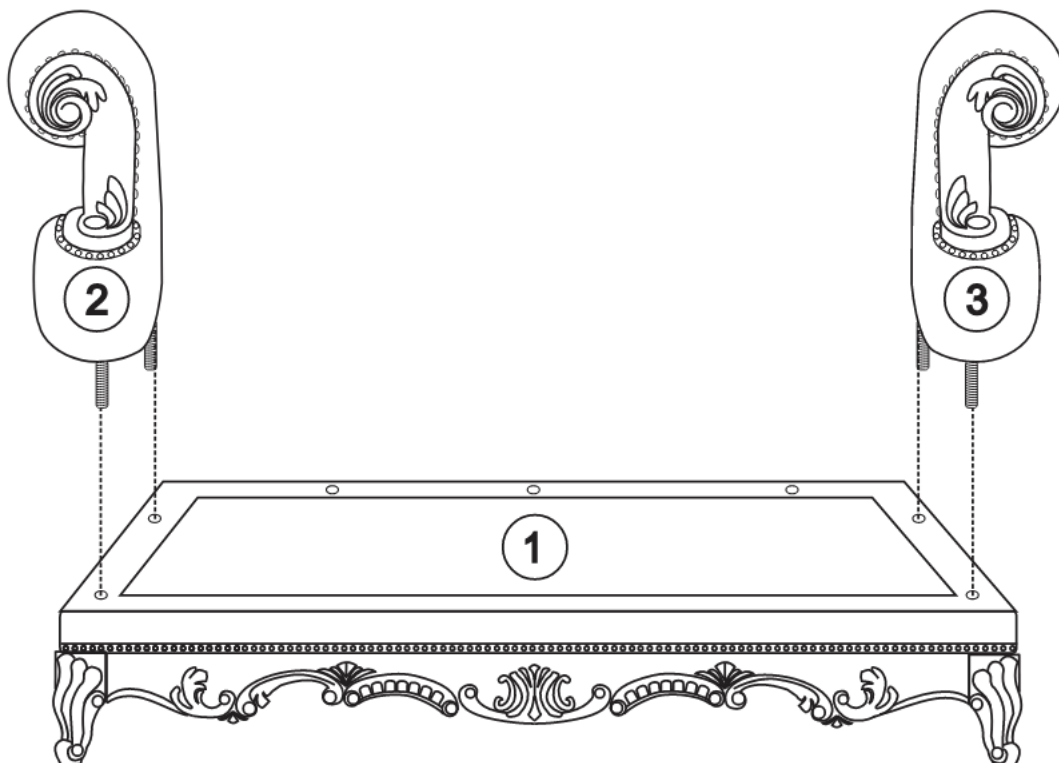
STEP 2:

Install the thread bolt (E) into the hole on the bottom of the left arm (2) and right arm (3) by using your hands to rotate the bolt about 25 mm into the hole.



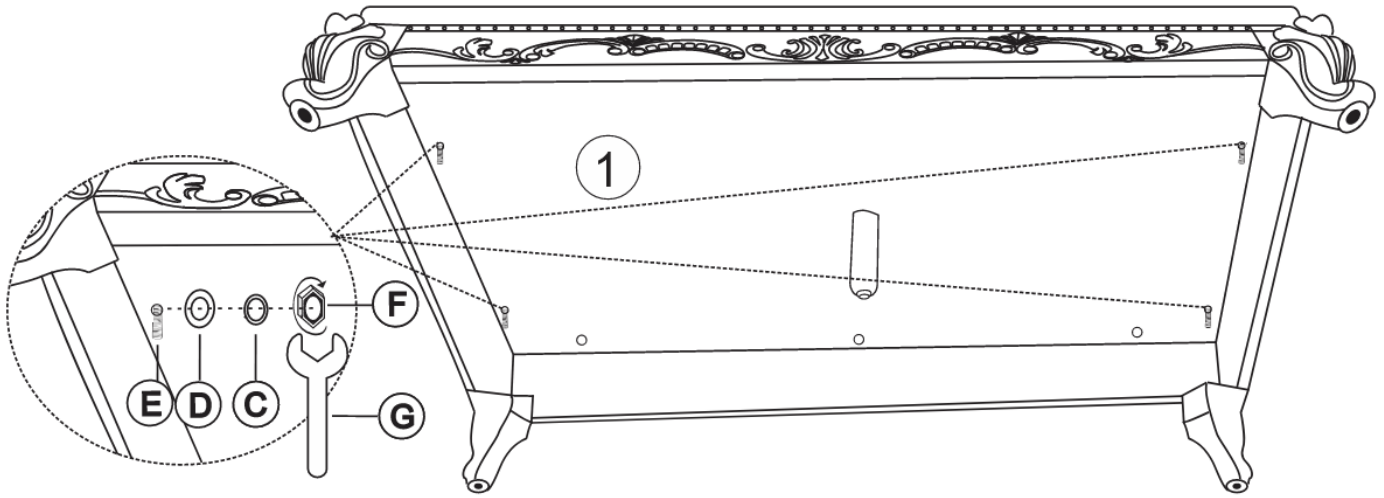
STEP 3:

Align and attach Left arm (2) and Right arm (3) to the seat frame (1).



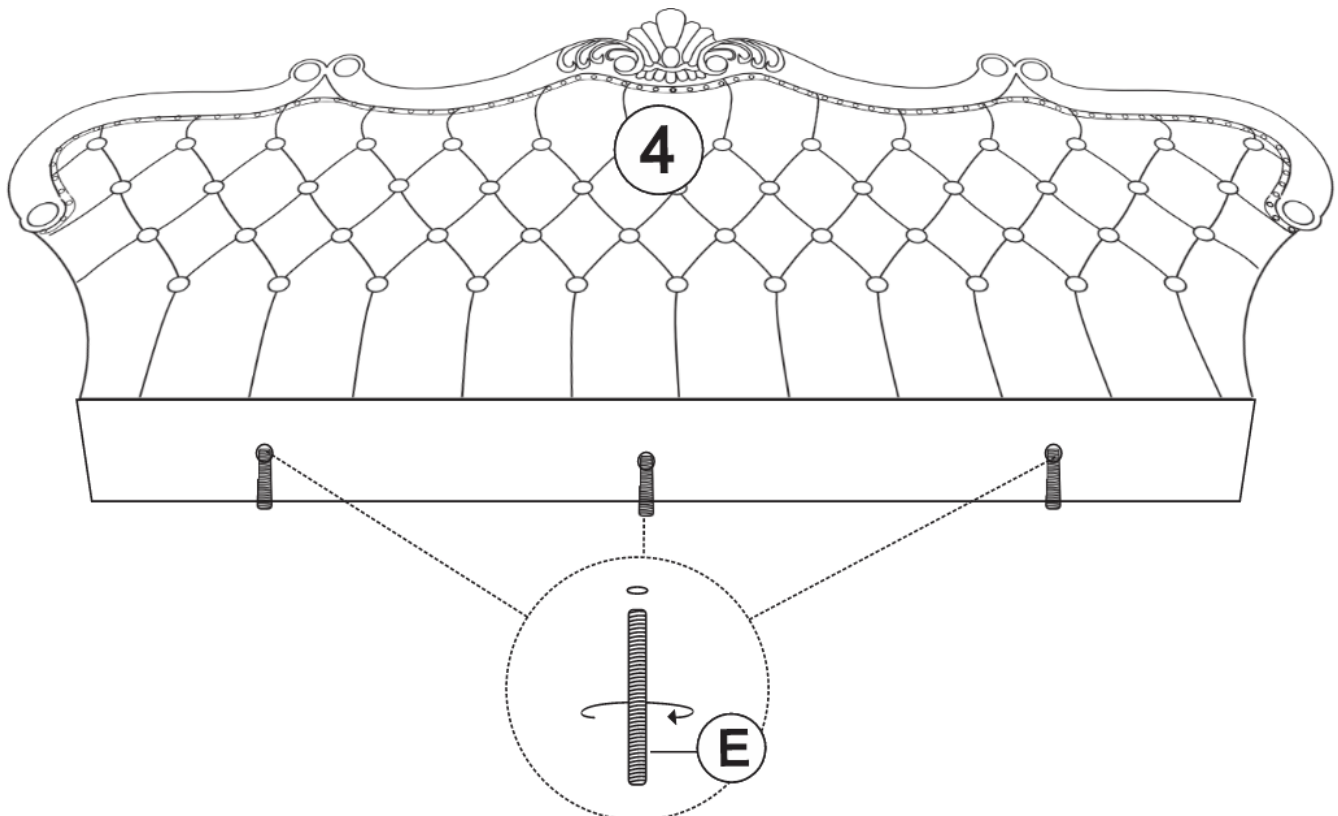
STEP 4:

Place the chair on its back on a clean and soft surface reach the thread bolt (E). Secure the backrest Left arm (2) and Right arm (3) to the seat frame (1) using the Wrench (G) with hardware C,D, and F.



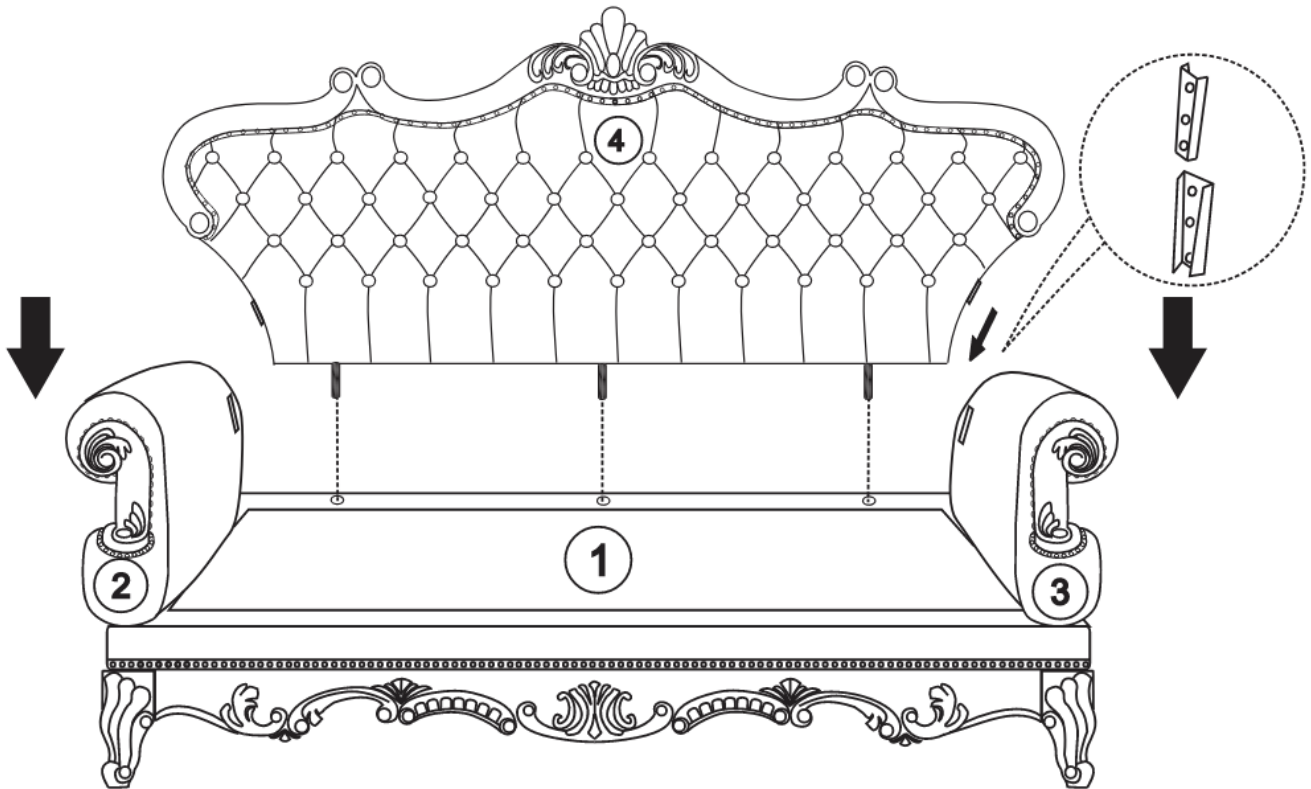
STEP 5:

Place the backrest (4) on its backside. Install the thread bolt (E) into the hole on the bottom of the backrest (4) by using your hands to rotate the bolt about 25 mm into the backrest (4).



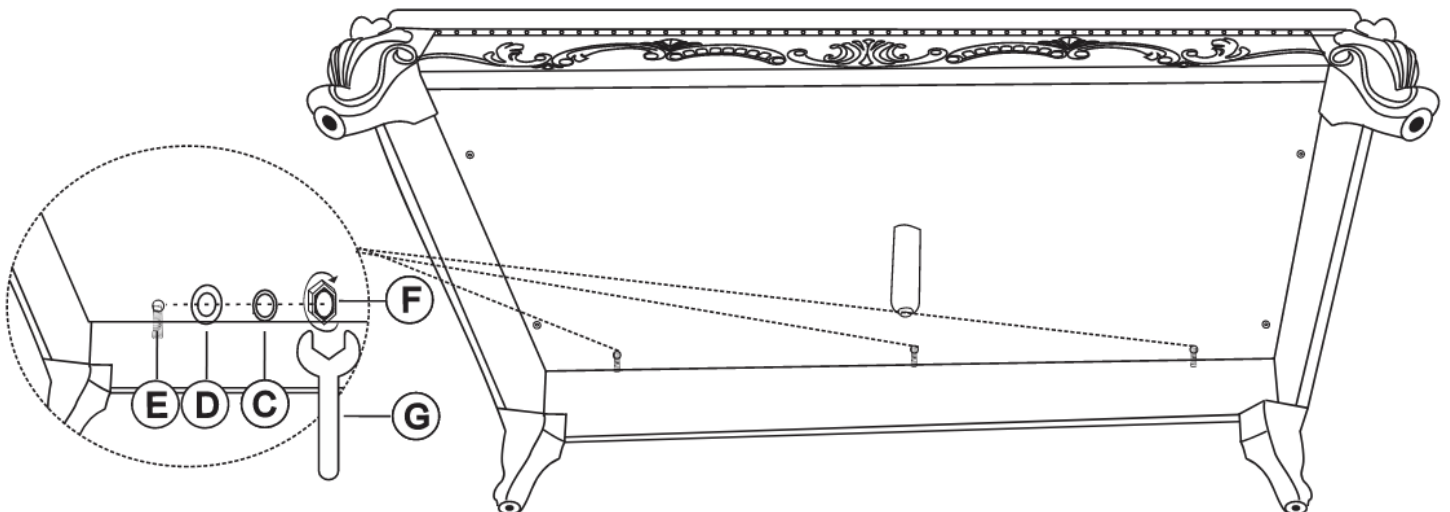
STEP 6:

Attach Backrest (4) to the Left arm (2) and Right arm (3) by sliding in the brackets all the way until it is secured.



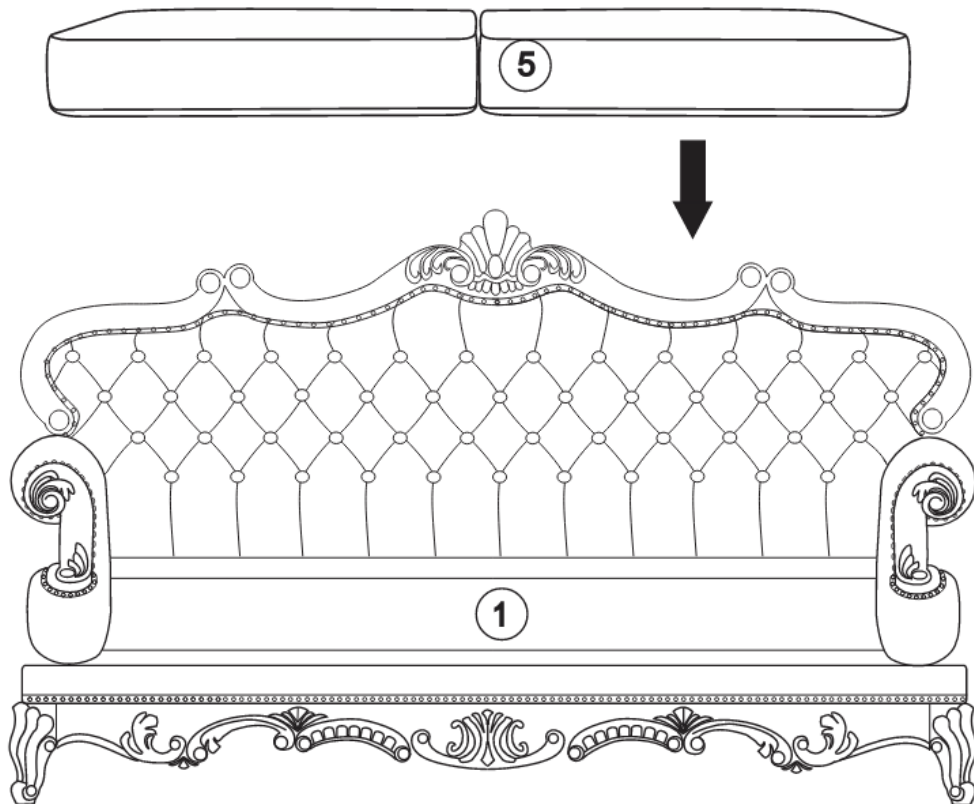
STEP 7:

Place the chair on its back on a clean and soft surface reach the thread bolt (E). Secure the backrest (4) to the seat frame (1) using the Wrench (G) with hardware C,D, and F.

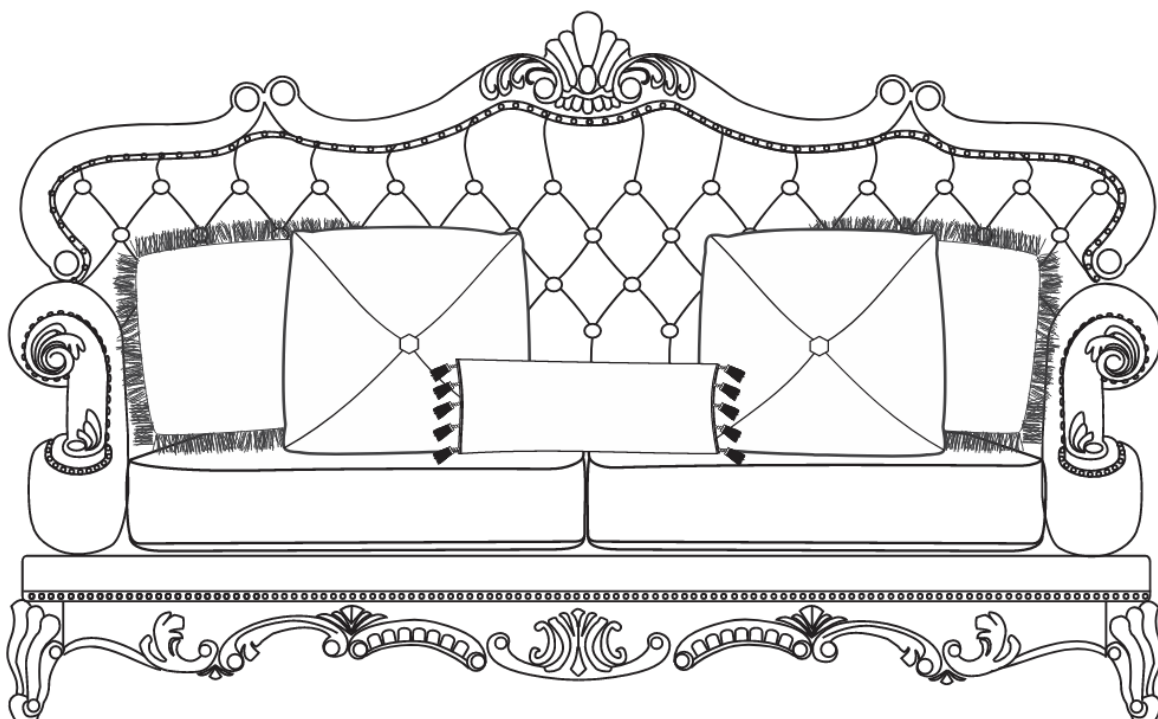


STEP 8:

Place the Seat cushion (5) on to the Seat frame (1).



COMPLETED



CARE INSTRUCTION FOR POLYESTER:

In order to maintain the original appearance of your polyester furniture, please follow below simple care procedure:

- Avoid exposing furniture directly to sunlight or heating and air conditioning outlets. Exposure to sunlight or heating and air conditioning outlets will fade/damage polyester.
- Wipe gently with a damp soft cloth to remove dust, dirt and any grime build up.
- Hardware may loosen over time. Periodically check to make sure all connections are tight. Re-tighten if necessary.