



ASSEMBLY INSTRUCTION
ITEM NO: 194S8567GY-2L
Left Side 2-Seater with Pull-out Bed
and adjustable headrests

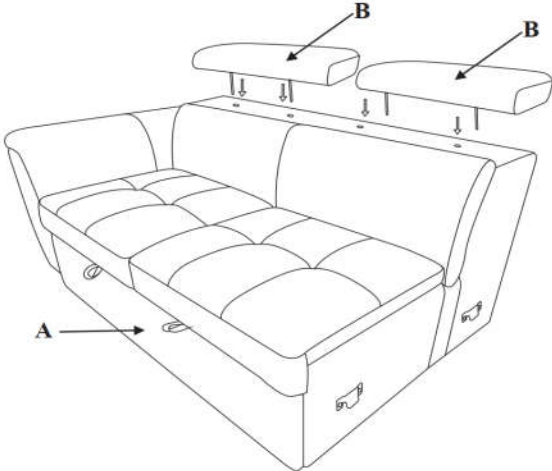


NOTE: Do not use power tools for assembly. The use of power tools increases the risk of over-tightening, which can result in wood splitting or cracking.

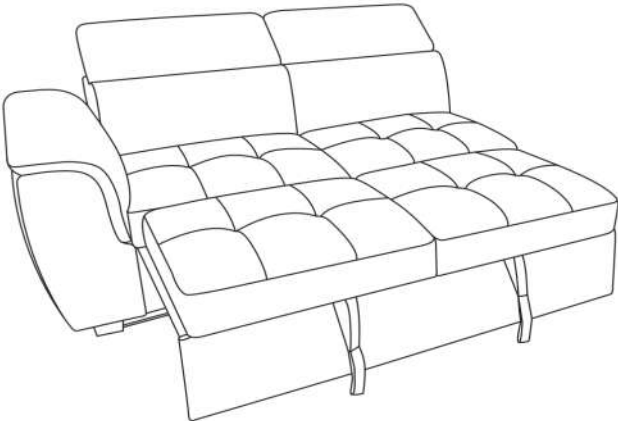
COMPONENT LIST

| NO | DRAWING | QTY | DESCRIPTION |
|----|---|-----|-------------|
| A |  | 1 | Seat |
| B |  | 2 | Headrest |

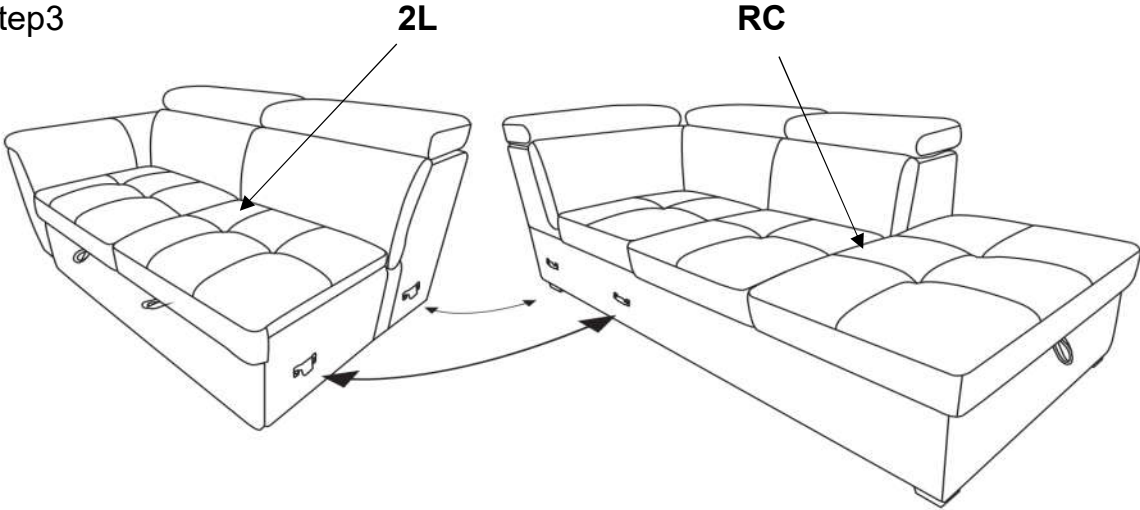
Step1

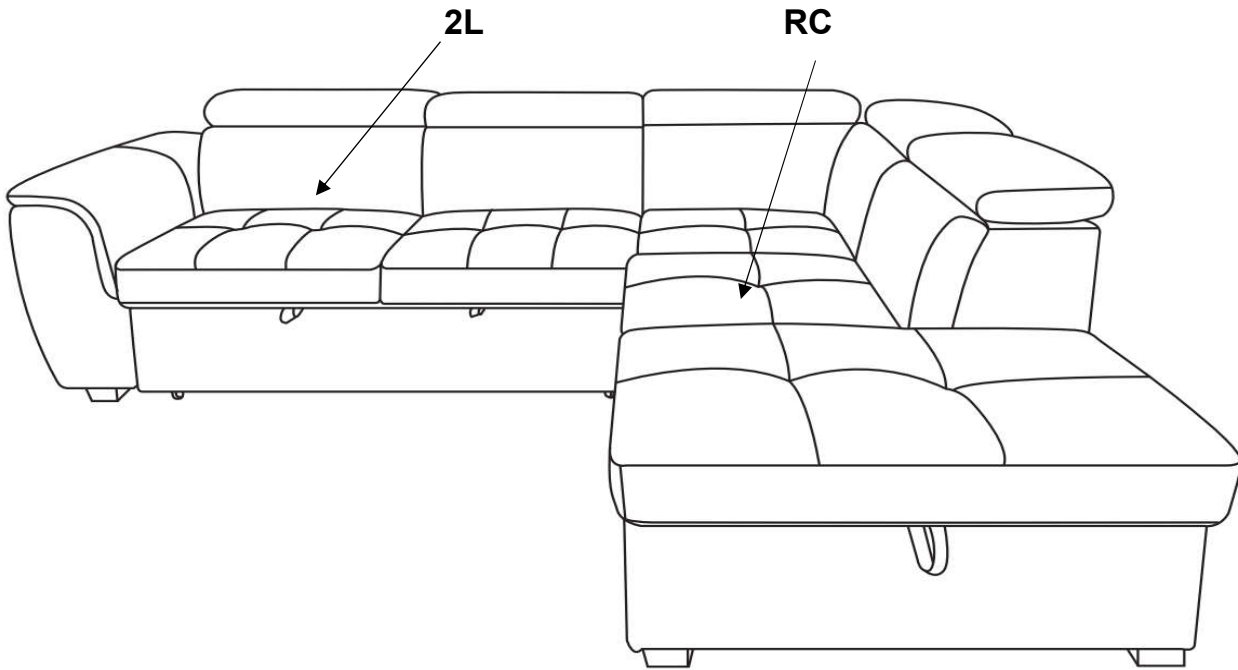


Step2



Step3





Care Instruction for Breathable Faux Leather Furniture.

In order to maintain the original appearance of your Breathable Faux Leather furniture, please follow below simple care procedures:

- Avoid exposing furniture directly to sunlight or heating and air conditioning outlets. Sunlight and/or exposure to heating and air conditioning outlets will fade/damage Breathable Faux Leather furniture.
- Do not place your upholstered furniture too close to windows, radiators, or vents and be sure to use window, radiators, or vents.
- Vacuum or wipe with a soft brush to remove dust.

Hardware may loosen over time. Periodically check to make sure all connection are tight, Re-tighten if necessary



For items used on wooden floor, hard surfaces or carpets, it is recommended to install protected pads under all legs supports to avoid/prevent from damages/ scratches discoloration.

ASSEMBLY INSTRUCTION




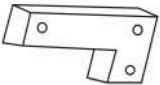
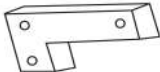


ITEM NO: 194S8567GY-RC

Right Side Chaise with Hidden Storage and adjustable headrests

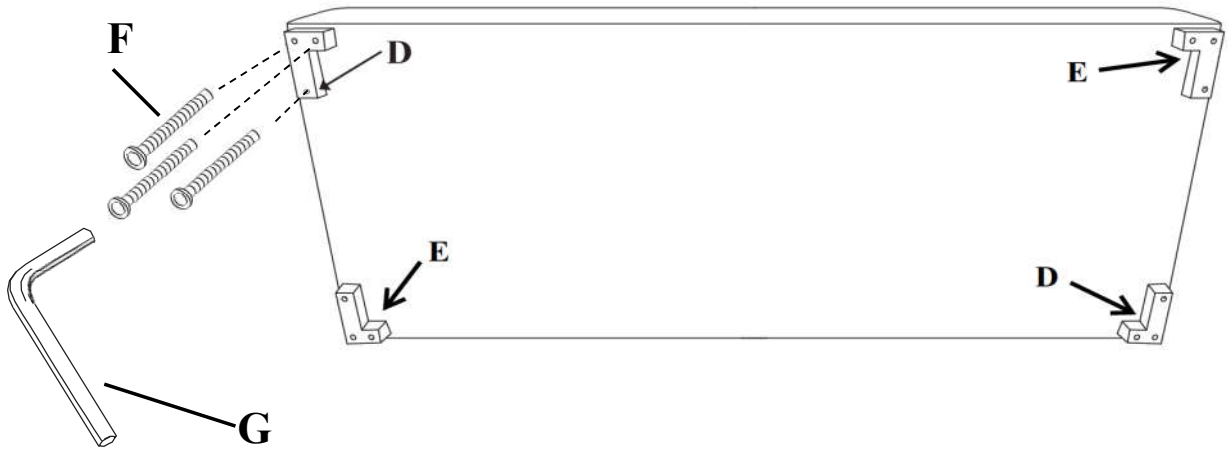


NOTE: Do not use power tools for assembly. The use of power tools increases the risk of over-tightening, which can result in wood splitting or cracking.

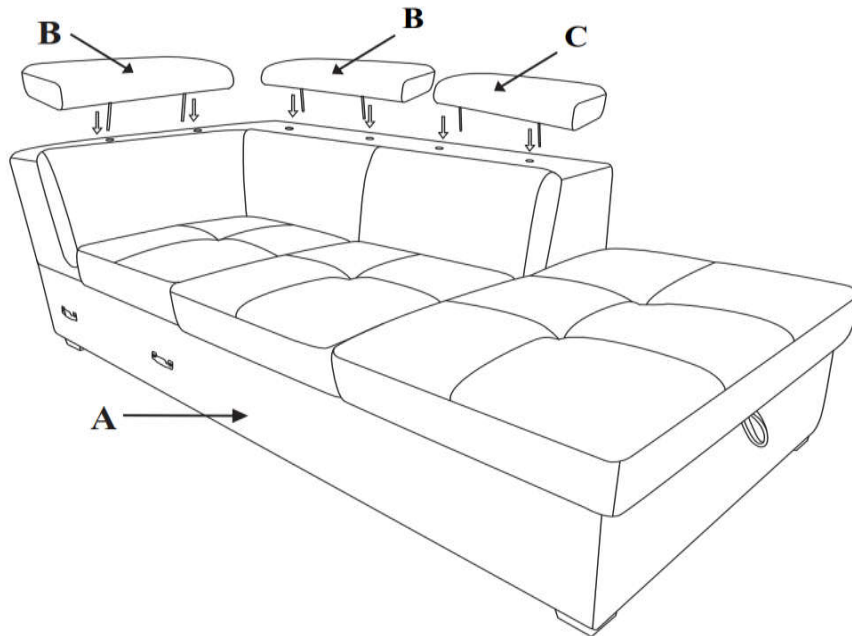
COMPONENT LIST

| NO | DRAWING | QTY | DESCRIPTION |
|----|---|-----|-----------------------|
| A |  | 1 | Seat |
| B |  | 2 | Headrest |
| C |  | 1 | Headrest |
| D |  | 2 | Wooden legs (7x4x2H") |
| E |  | 2 | Wooden legs (7x4x2H") |
| F |  | 12 | Bolt (ØM8x4.5") |
| G |  | 1 | Allen Key (ØM8) |

Step 1

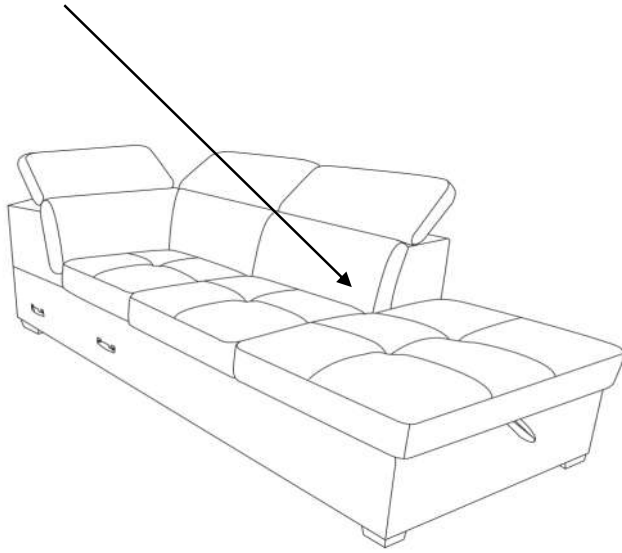


Step 2

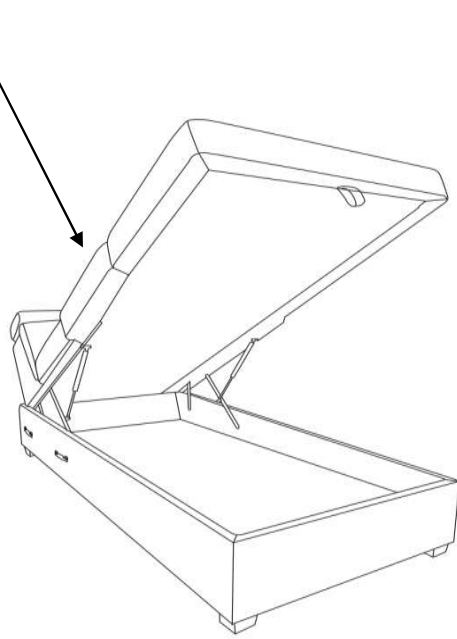


Step 3

2L

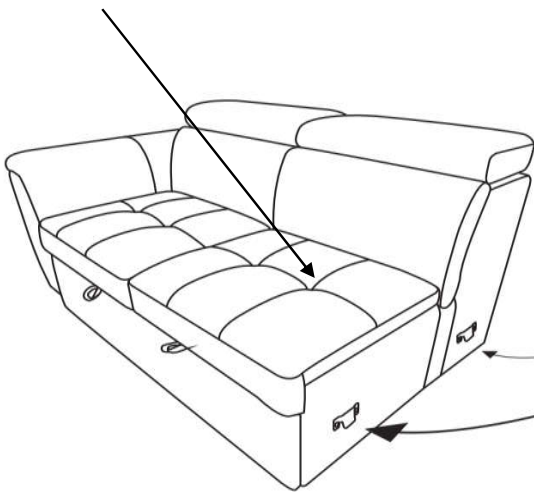


RC

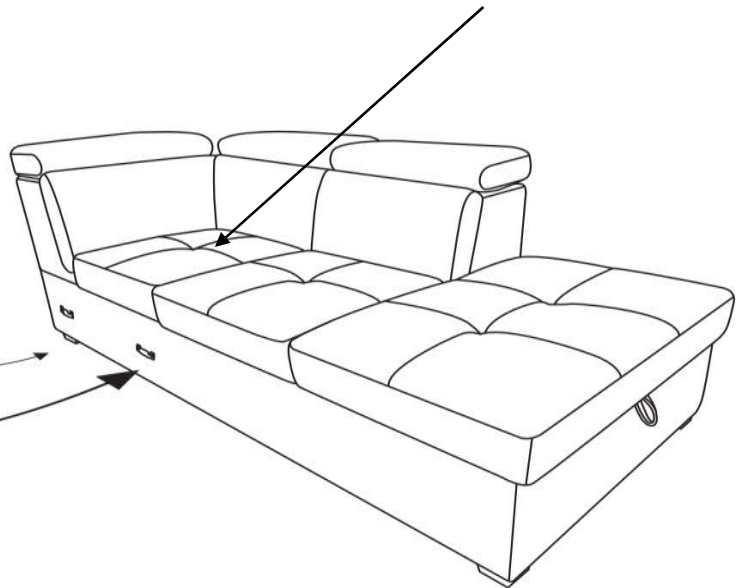


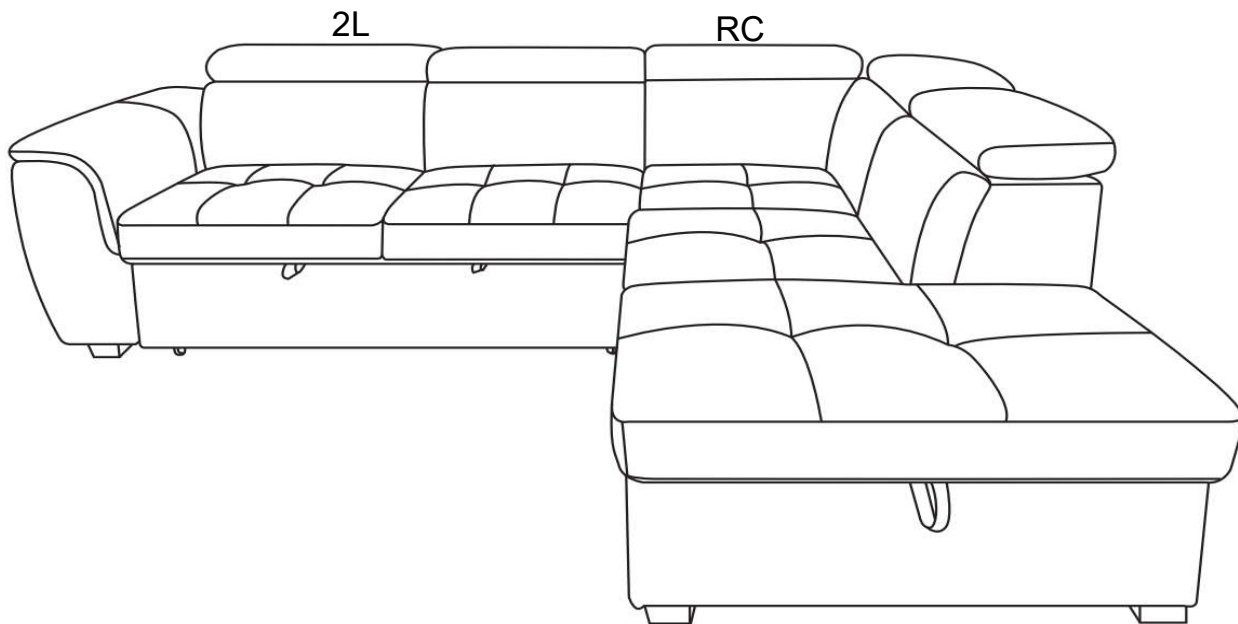
Step 4

2L



RC





Care Instruction for Breathable Faux Leather Furniture.

In order to maintain the original appearance of your Breathable Faux Leather furniture, please follow below simple care procedures:

- Avoid exposing furniture directly to sunlight or heating and air conditioning outlets. Sunlight and/or exposure to heating and air conditioning outlets will fade/damage Breathable Faux Leather furniture.
- Do not place your upholstered furniture too close to windows, radiators, or vents and be sure to use window, radiators, or vents.
- Vacuum or wipe with a soft brush to remove dust.

Hardware may loosen over time. Periodically check to make sure all connection are tight, Re-tighten if necessary.



For items used on wooden floor, hard surfaces or carpets, it is recommended to install protected pads under all legs supports to avoid/prevent from damages/ scratches discoloration.