


# ASSEMBLY INSTRUCTION

## ITEM NO :194S8555GY/BE-4

### Ottoman

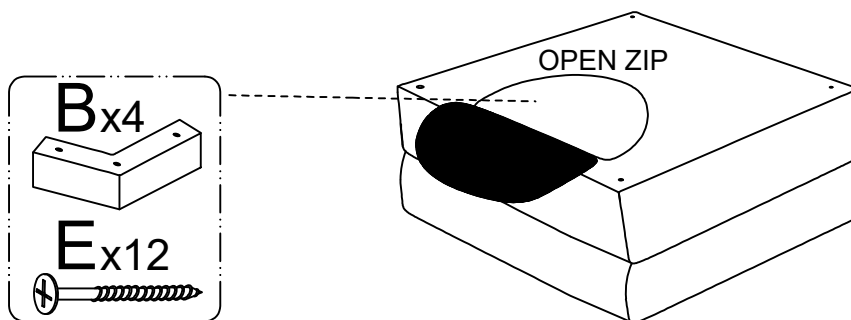
 Legs and hardware are stored in the box, please take out for assembly.

**NOTE:** Do not use power tools for assembly. Power tools increase the risk of over tightening which lead to splitting or cracking the wood.

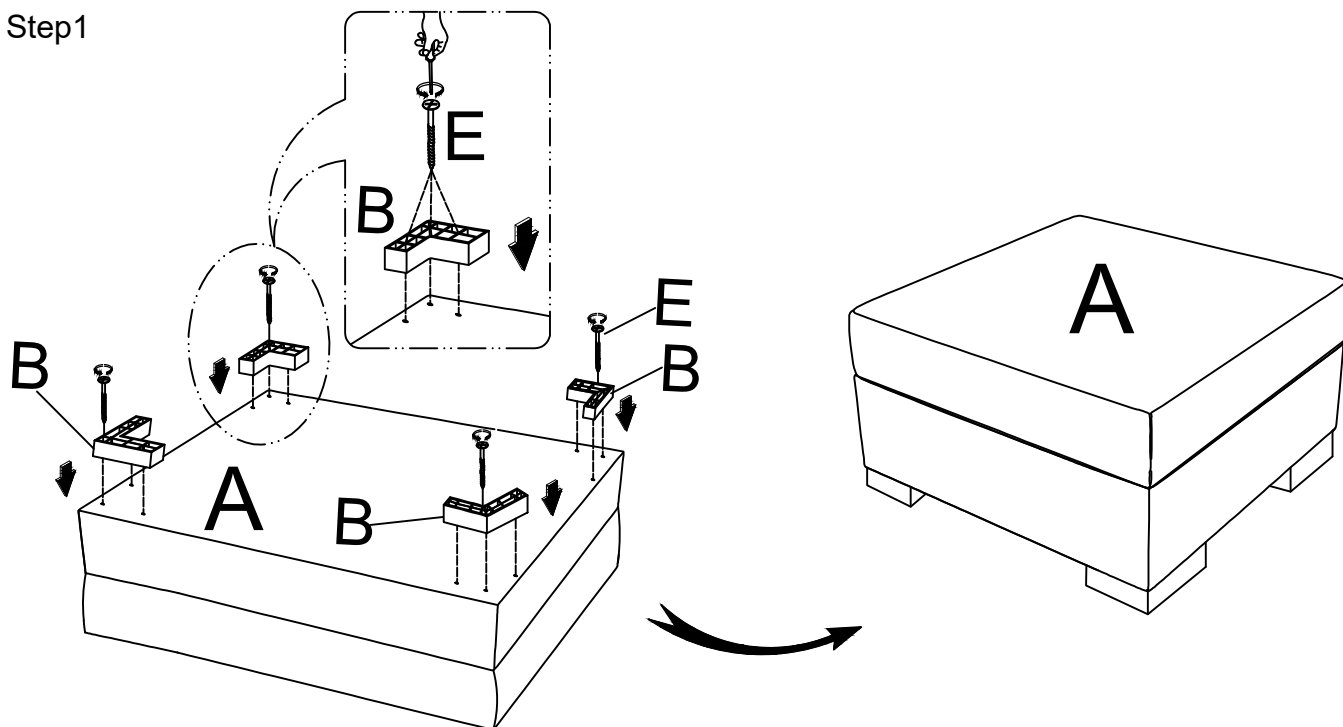
#### CHAIR COMPONENT LIST

NO	DRAWING	QTY	DESCIPTION
A		1	SEAT
B		4	PLASTIC LEG
E		12	SCREW 4 X 4 MM

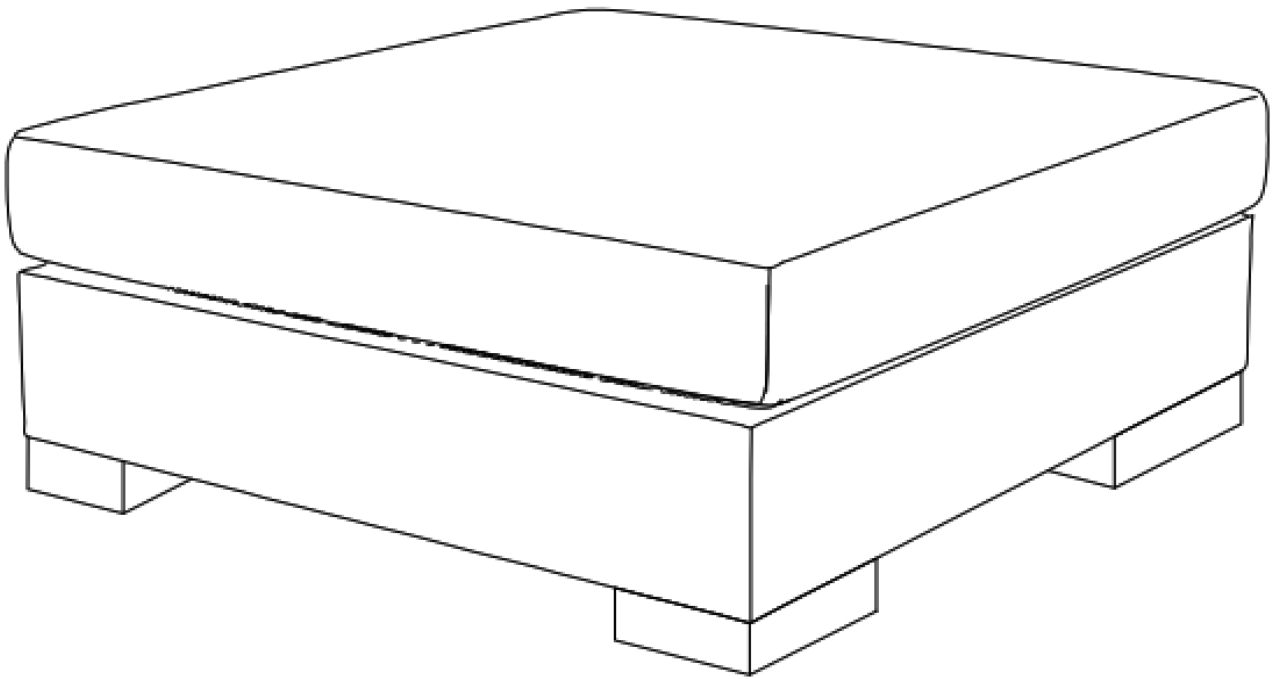
#### NOTE



#### Step1



**ASSEMBLY INSTRUCTION**  
**ITEM NO :194S8555GY/BE-4**  
**Ottoman**

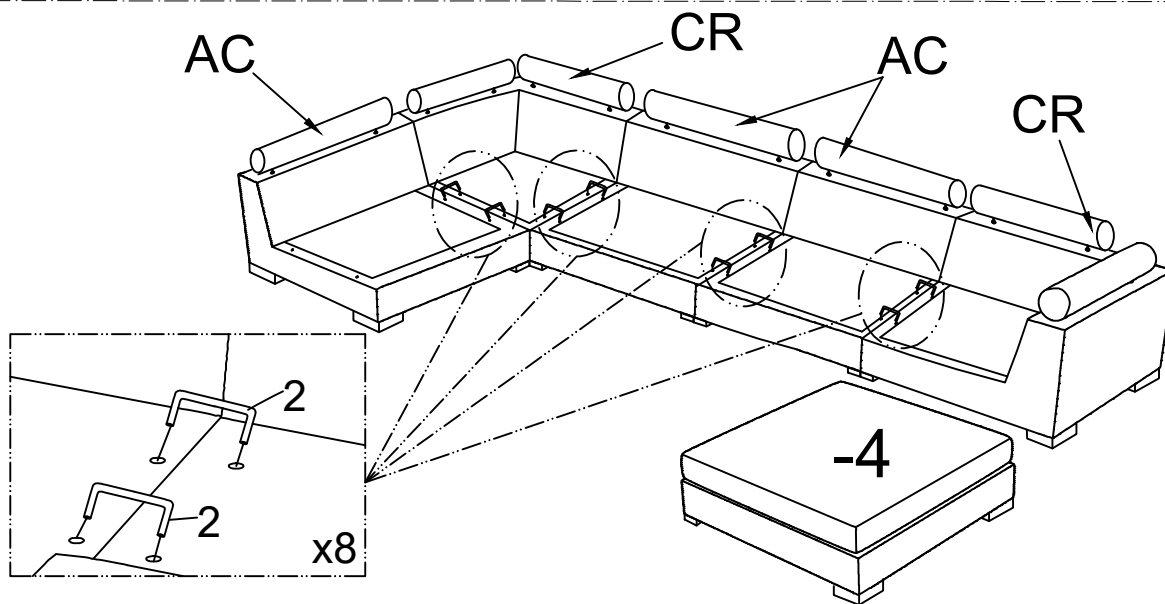


# ASSEMBLY INSTRUCTION

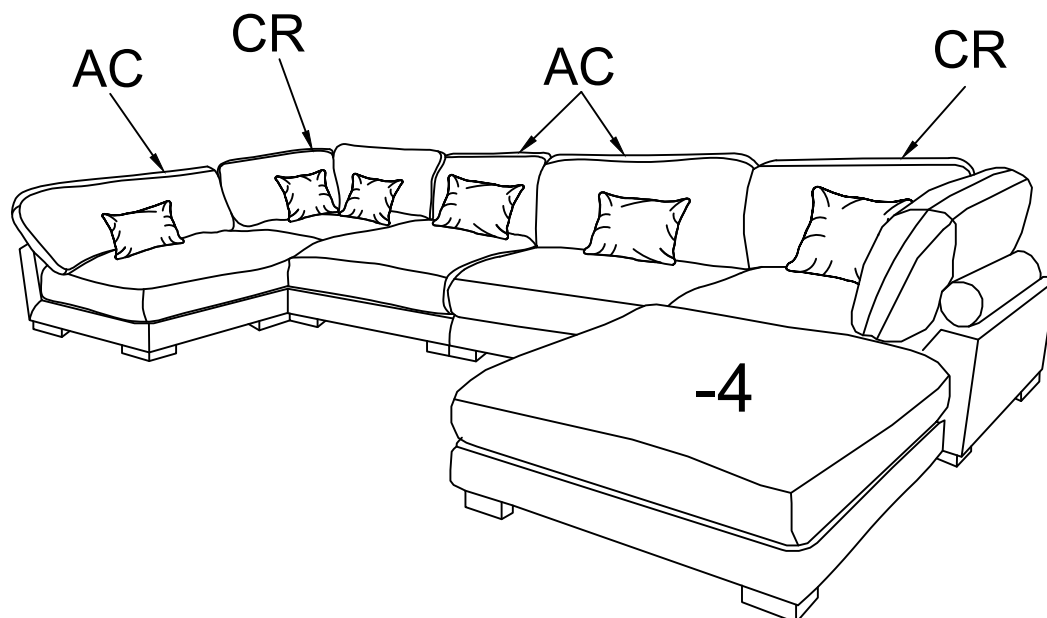
ITEM NO : 194S8555GY/BE-4

Ottoman

## STEP 1



## STEP 2



### CARE INSTRUCTIONS FOR CORDUROY UPHOLSTERY FURNITURE :

In order to maintain the original appearance of your corduroy furniture, please follow below care procedures:

- Avoid exposing furniture directly to sunlight or heating and air conditioning outlets. Sunlight and / or exposure to heating and air conditioning outlets will fade/damage corduroy. Do not place your upholstered furniture too close to windows, radiators, or vents, and be sure to use window treatments to block the sun's rays.
- Vacuum or wipe with a soft cloth regularly to remove dust.
- Hardware may loosen over time. Periodically check to make sure all connection are tight, Re-tighten if necessary.



For items use on wooden floor, hard surfaces or carpets, it is recommended to install protective pads under all legs and supports to avoid/prevent from damages/scratches and discoloration.