

ASSEMBLY INSTRUCTION

ITEM NO: 194S8530EB-2L

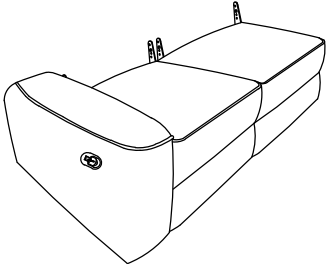
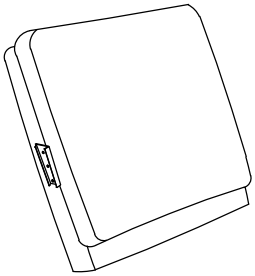
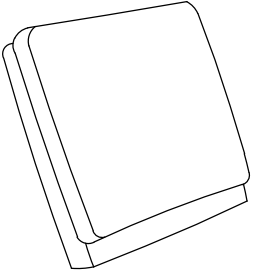
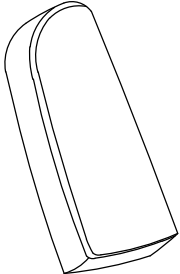
(1/2)Left Side Reclining Love Seat With Drop-Down Cup Holders



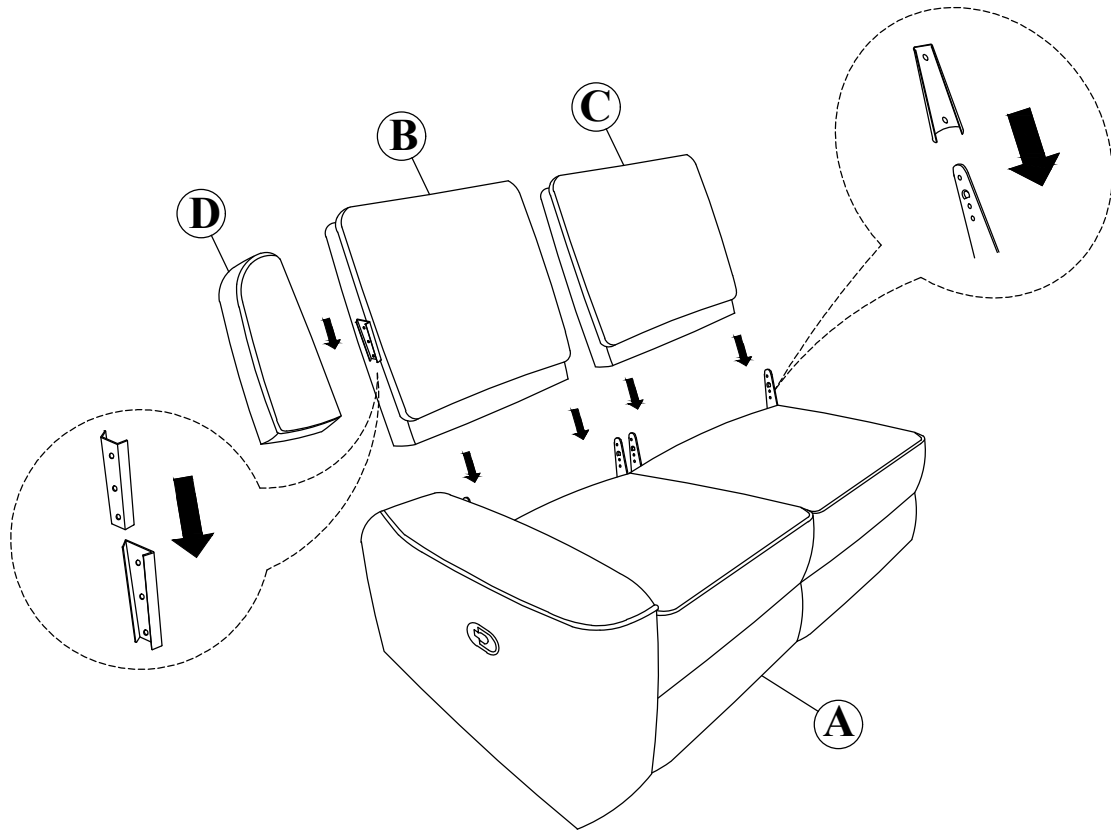
Hardware are stored at the bottom of sofa, please take out for assembly.

Note: Do not use power tools for assembly. Power tools increase the risk of over tightening which lead to splitting or cracking the wood.

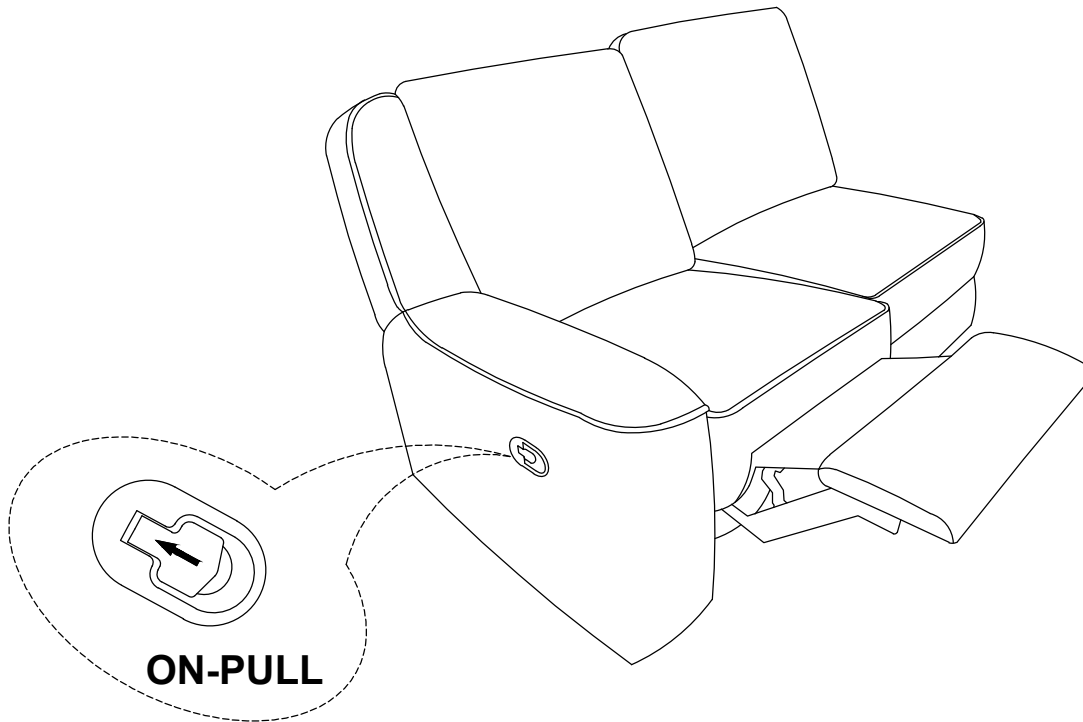
Component list

No	Drawing	Qty	Description
A		1	SEAT
B		1	LSF BACKREST
C		1	RSF BACKREST
D		1	LSF WING

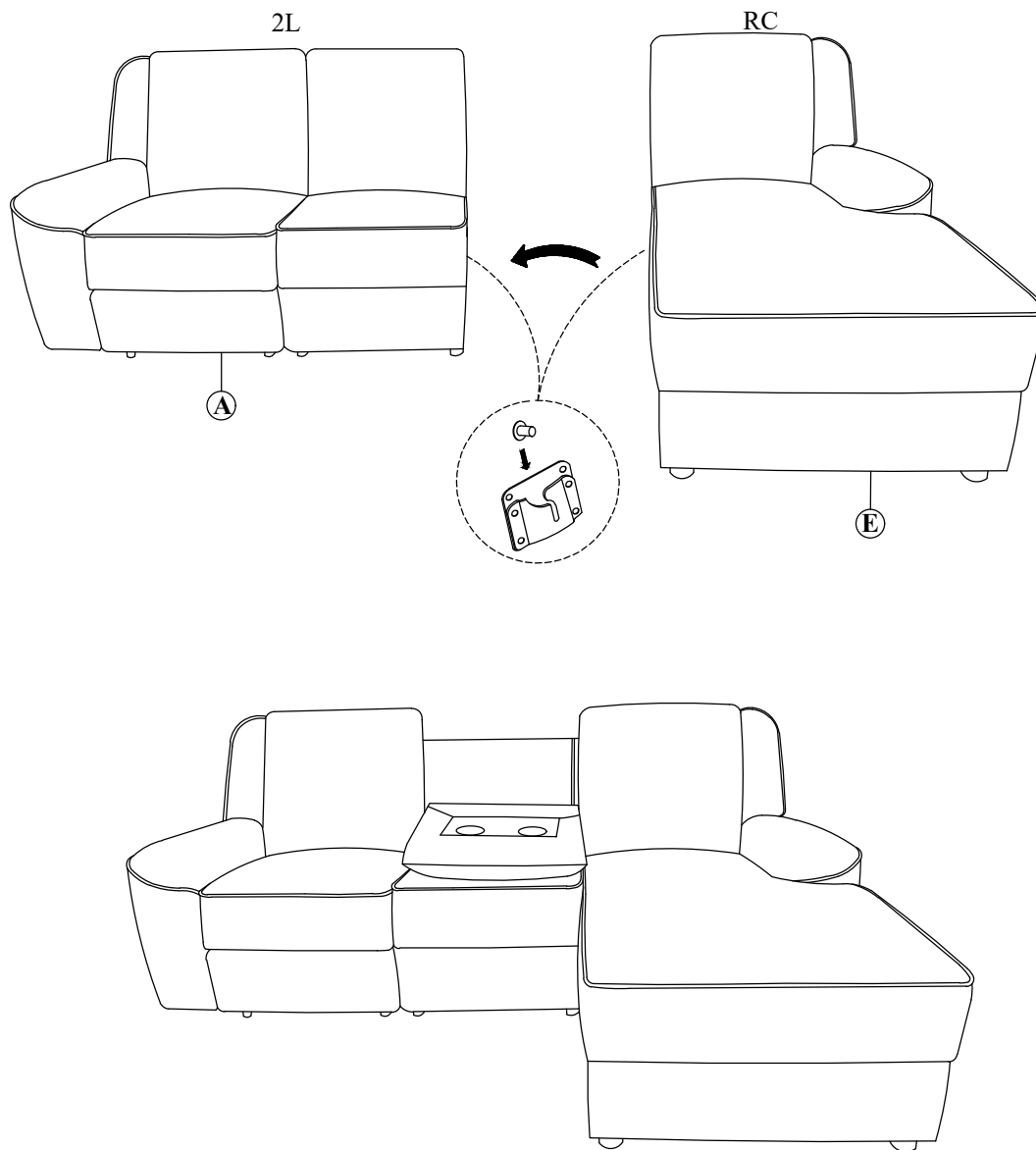
Step #1



Step #2



Step #3



Care Instruction for Chenille Furniture:

In order to maintain the original appearance of your Chenille Furniture, please follow below simple care procedures:

- Avoid exposing furniture directly to sunlight or heating and air conditioning outlets. Sunlight and or exposure to heating and air conditioning outlets will fade/damage Chenille.
- Vacuum or wipe with a soft cloth to remove dust.



For items use on wooden floor, hard surfaces or carpets, it is recommended to Install protective pads under all legs and supports to avoid/prevent from damages/scratches and discoloration.

ASSEMBLY INSTRUCTION

ITEM NO: 194S8530EB-RC

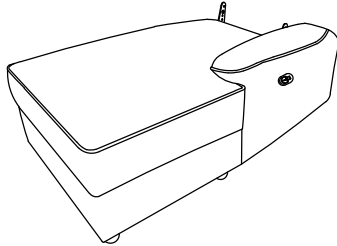
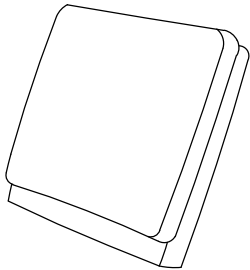
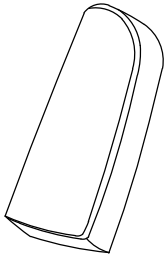
(2/2) Right Side Reclining Chaise



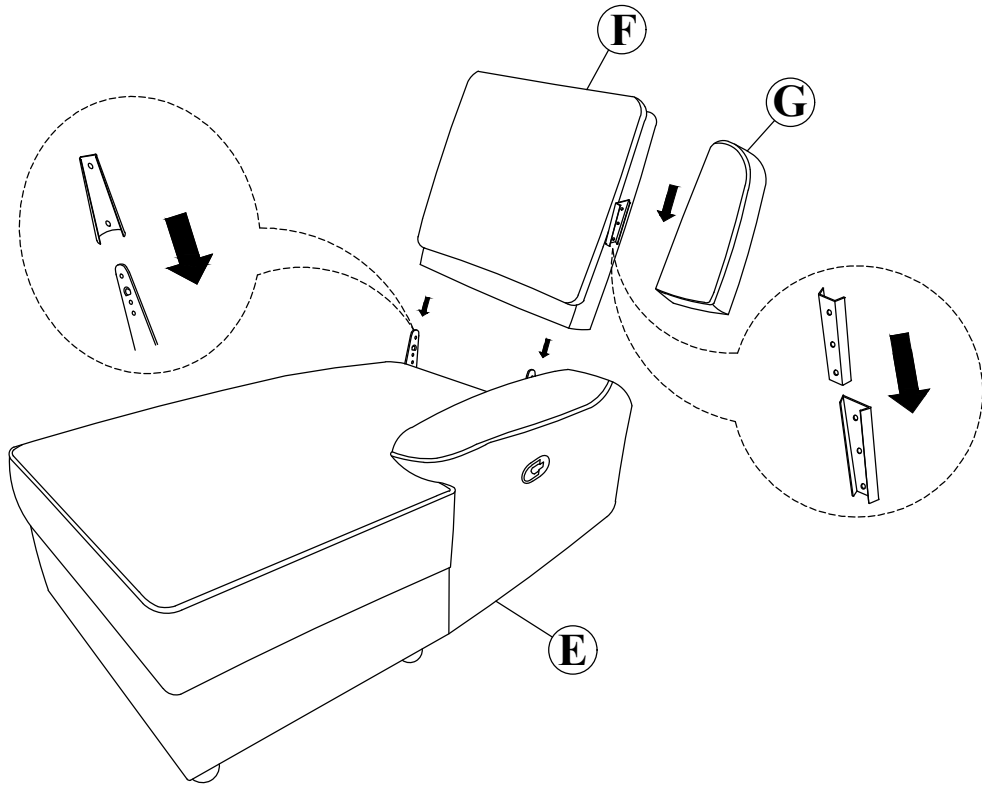
Ears and Back rest are stored at the bottom of seat, please take out for assembly.

Note: Do not use power tools for assembly. Power tools increase the risk of over tightening which lead to splitting or cracking the wood.

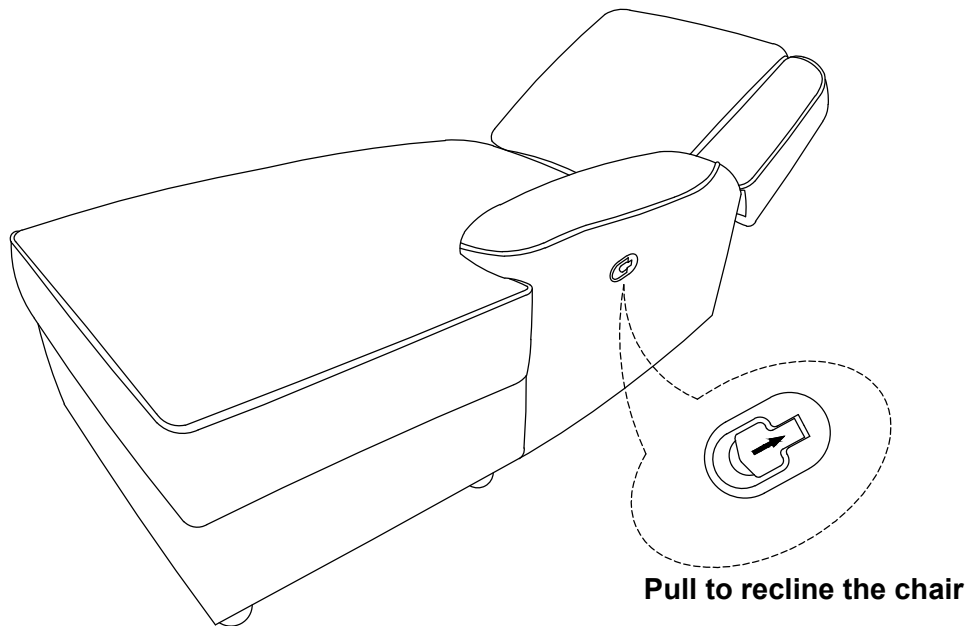
Component list

No	Drawing	Qty	Description
E		1	SEAT
F		1	BACK REST
G		1	RSF EAR

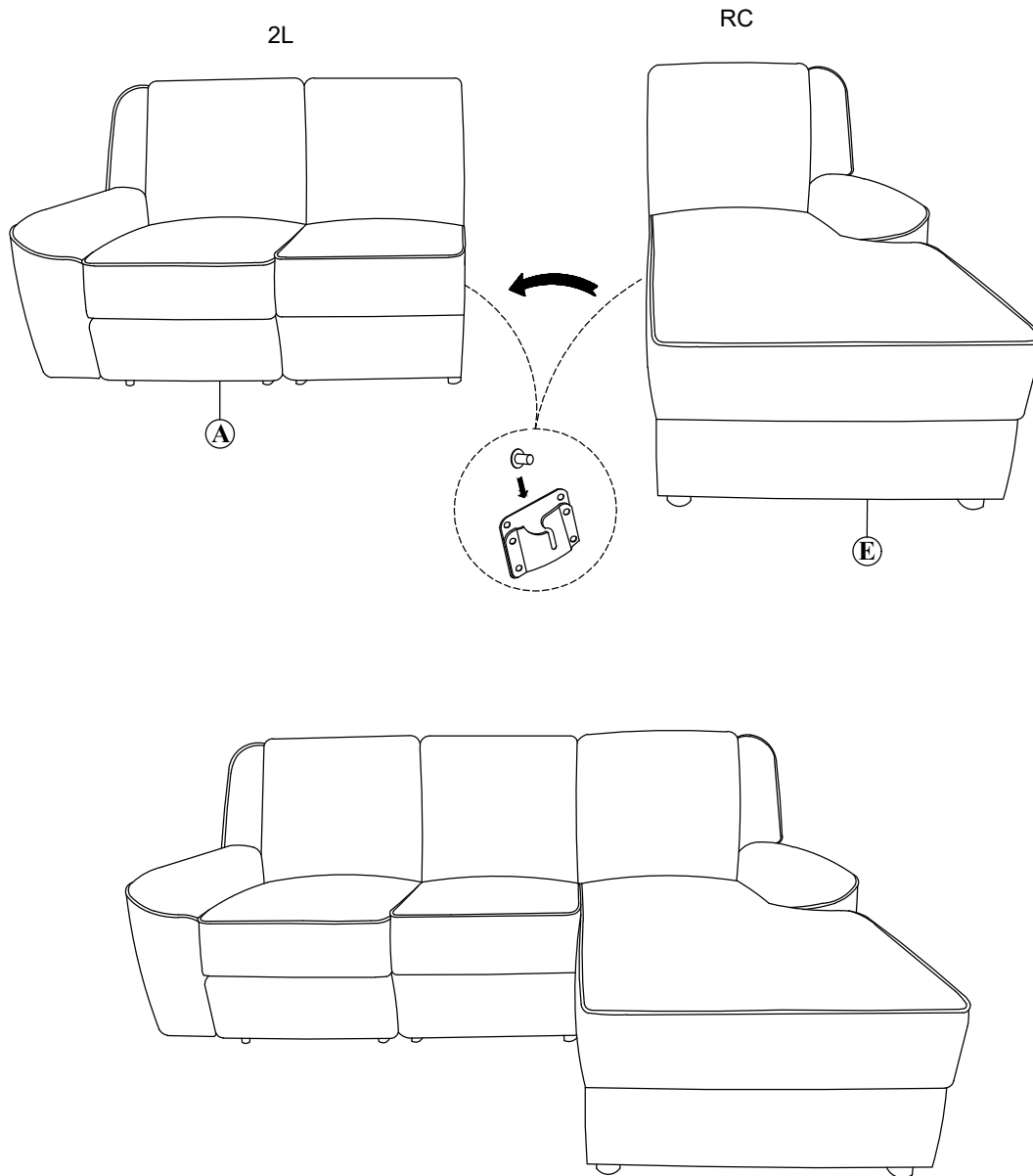
Step #1



Step #2



Step #3



Care Instruction for Chenille Furniture:

In order to maintain the original appearance of your chenille Furniture, please follow below simple care procedures:

- Avoid exposing furniture directly to sunlight or heating and air conditioning outlets. Sunlight and or exposure to heating and air conditioning outlets will fade/damage chenille.
- Vacuum or wipe with a soft cloth to remove dust.



For items use on wooden floor, hard surfaces or carpets, it is recommended to Install protective pads under all legs and supports to avoid/prevent from damages/scratches and discoloration.