

## ASSEMBLY INSTRUCTION

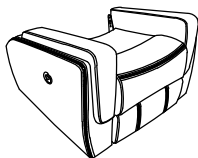

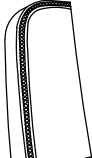
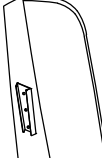
### Swivel Glider Reclining Chair



Back Rest and Ears are stored at the bottom of chair, please take out for assembly.

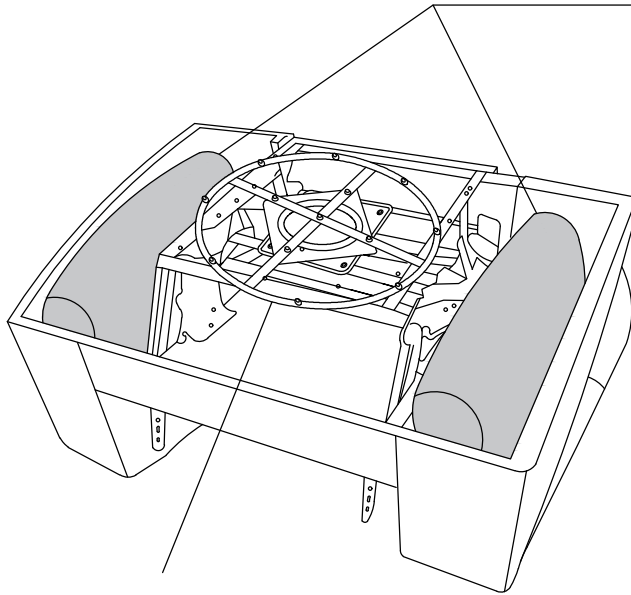
Note: Do not use power tools for assembly. Power tools increase the risk of over tightening which lead to splitting or cracking the wood.

### Component list

No	Drawing	Qty	Description
A		1	SEAT
B		1	BACK REST
C		1	LSF EAR
D		1	RSF EAR

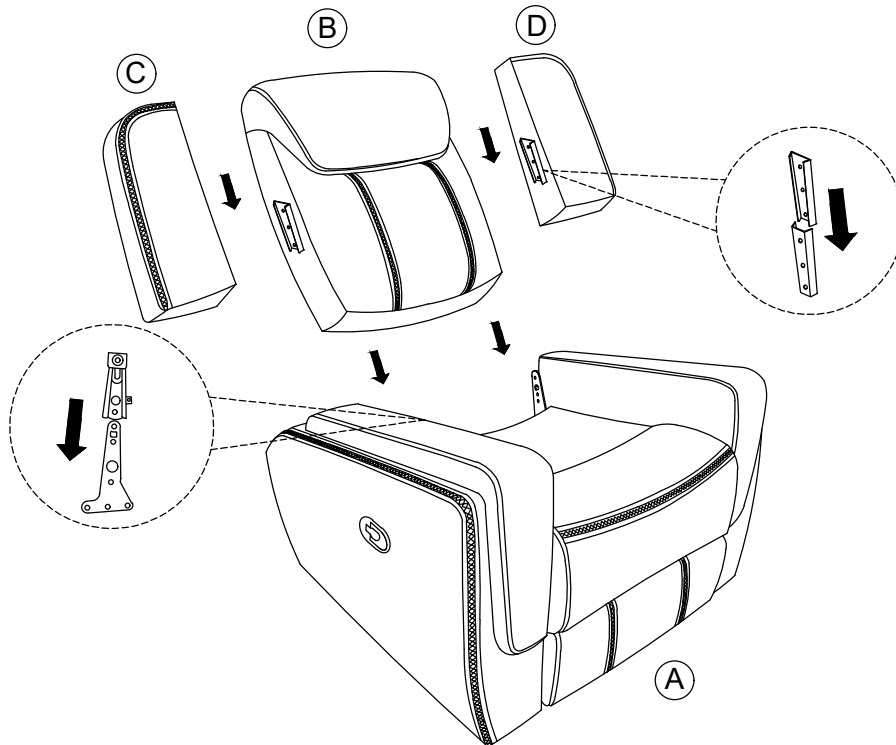
# Step #1

**EARS ARE STORED  
UNDER METAL FRAME**

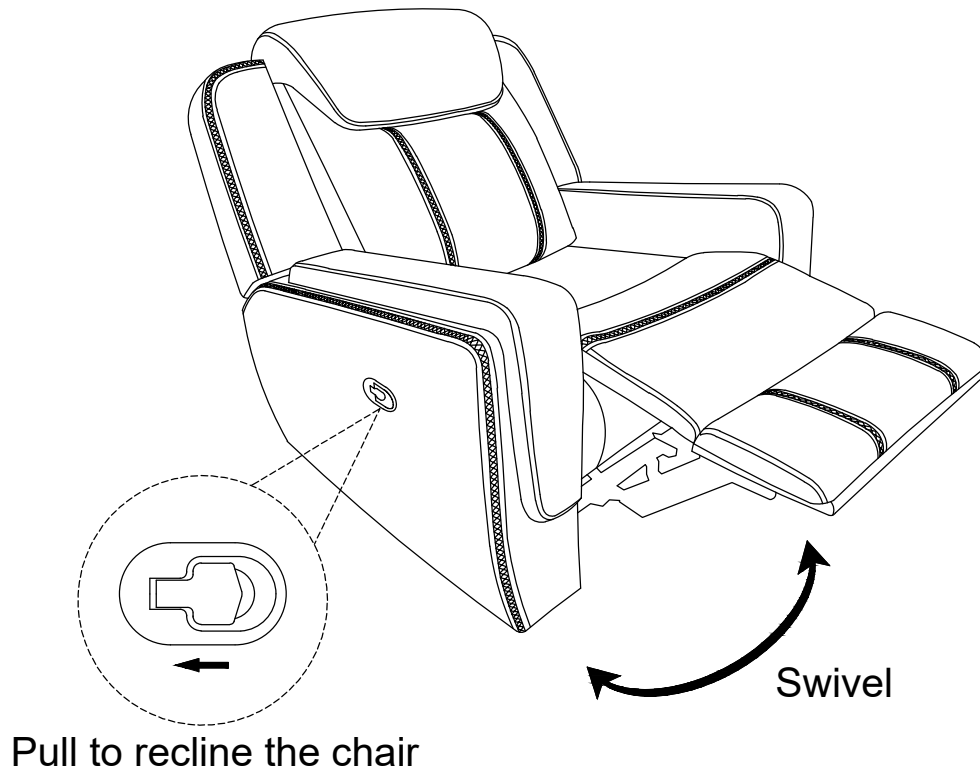


**Note: Swivel Chair**

# Step #2



## Step #3



## Care Instruction for Polished Microfiber Furniture:

In order to maintain the original appearance of your Polished Microfiber Furniture,

please follow below simple care procedures:

- Avoid exposing furniture directly to sunlight or heating and air conditioning outlets. Sunlight and or exposure to heating and air conditioning outlets will fade/damage Polished Microfiber.
- Vacuum or wipe with a soft cloth to remove dust.



For items use on wooden floor, hard surfaces or carpets, it is recommended to Install protective pads under all legs and supports to avoid/prevent from damages/scratches and discoloration.

# ASSEMBLY INSTRUCTION

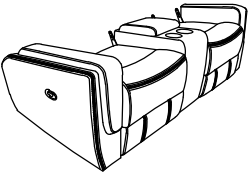

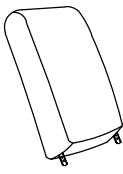
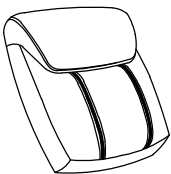
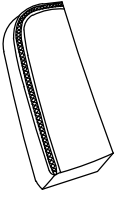
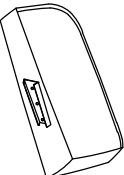
## Double Reclining Love Seat with Center Console, Receptacles and USB Ports



Back Rest and Ears are stored at the bottom of Love Seat, please take out for assembly.

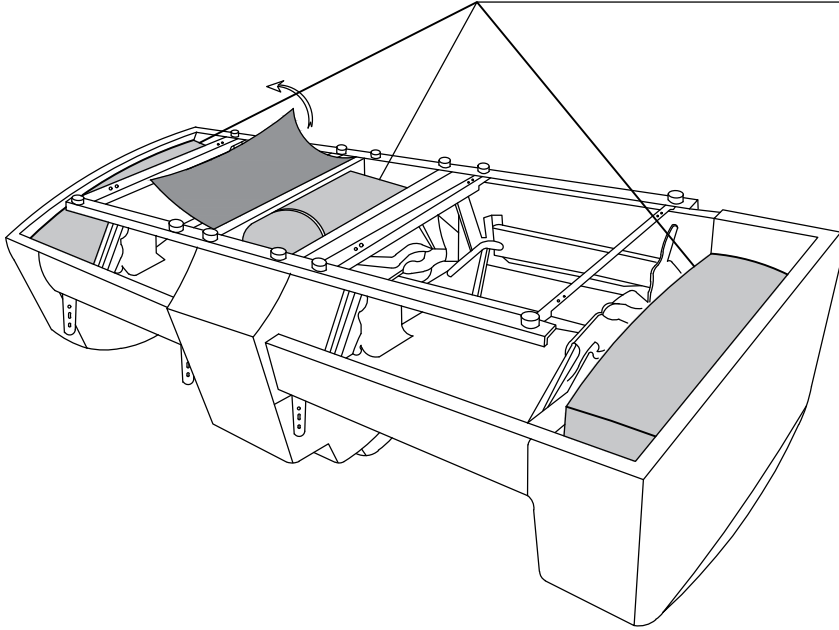
Note: Do not use power tools for assembly. Power tools increase the risk of over tightening which lead to splitting or cracking the wood.

### Component list

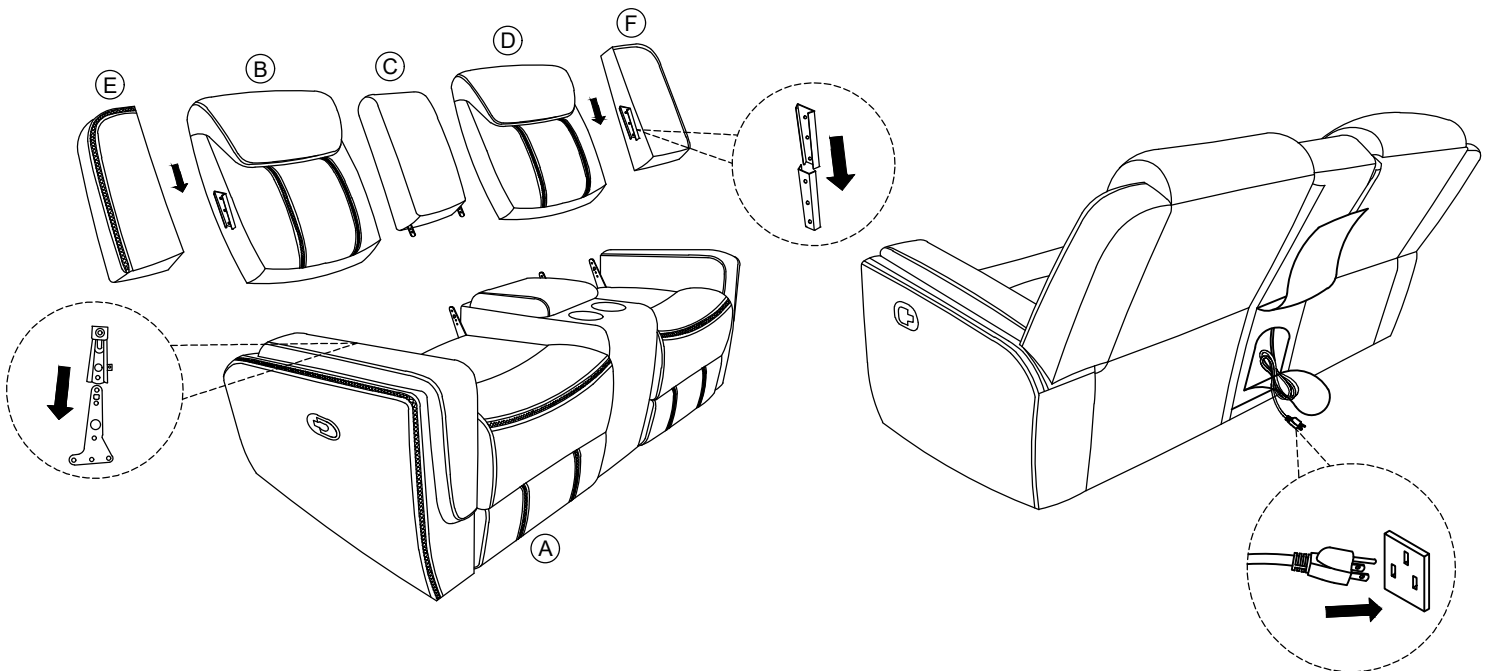
No	Drawing	Qty	Description
<b>A</b>		<b>1</b>	<b>SEAT</b>
<b>B</b>		<b>1</b>	<b>LSF BACK REST</b>
<b>C</b>		<b>1</b>	<b>CONSOLE BACK REST</b>
<b>D</b>		<b>1</b>	<b>RSF BACK REST</b>
<b>E</b>		<b>1</b>	<b>LSF EAR</b>
<b>F</b>		<b>1</b>	<b>RSF EAR</b>

# Step #1

**EARS CONSOLE AND BACKREST IS STORED UNDER METAL FRAME**

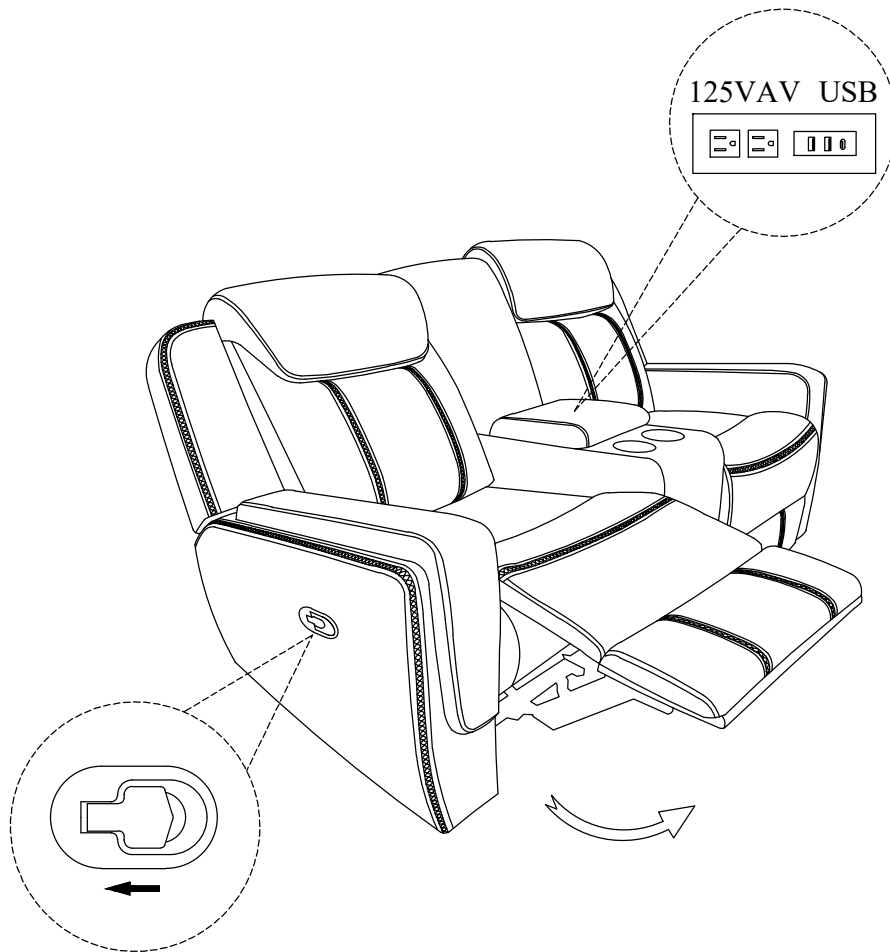


# Step #2



Notes:  
Connect the wire at the back of the Console to the power source, open the console lid for using USB & Socket.

## Step #3



Pull to recline the chair

## Care Instruction for Polished Microfiber Furniture:

In order to maintain the original appearance of your Polished Microfiber Furniture,

please follow below simple care procedures:

- Avoid exposing furniture directly to sunlight or heating and air conditioning outlets. Sunlight and or exposure to heating and air conditioning outlets will fade/damage Polished Microfiber.
- Vacuum or wipe with a soft cloth to remove dust.



For items use on wooden floor, hard surfaces or carpets, it is recommended to Install protective pads under all legs and supports to avoid/prevent from damages/scratches and discoloration.

# ASSEMBLY INSTRUCTION

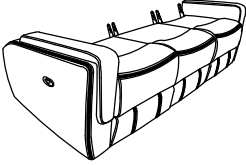

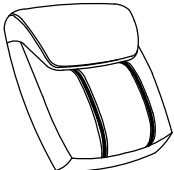
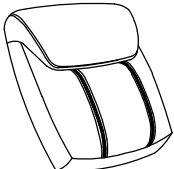
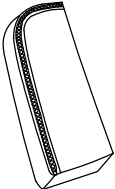
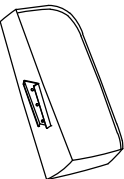
## Double Reclining Sofa with DropDown Cup Holders, Magazine bag, Receptacles and USB Ports



Back Rest and Ears are stored at the bottom of Sofa,  
please take out for assembly.

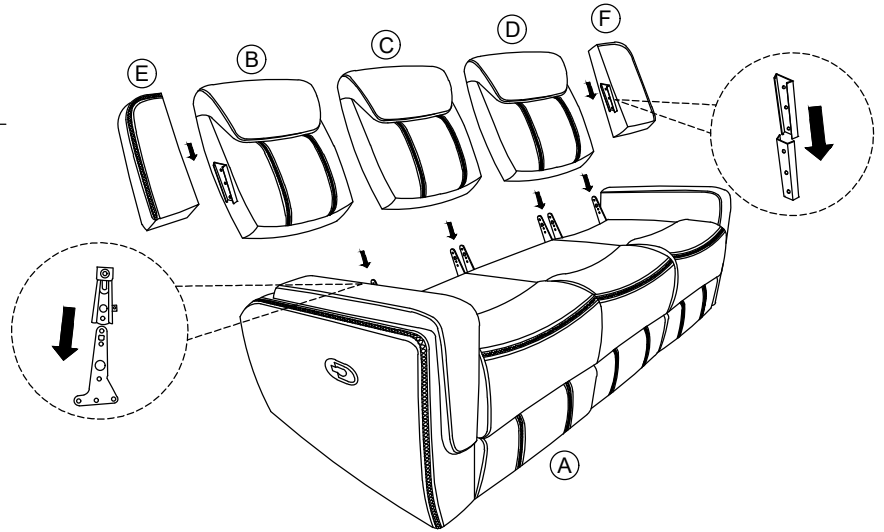
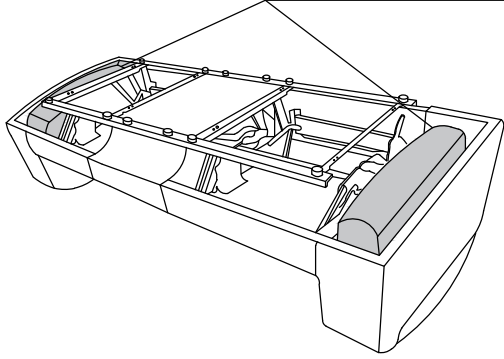
Note: Do not use power tools for assembly. Power tools increase the risk of over tightening which lead to splitting or cracking the wood.

### Component list

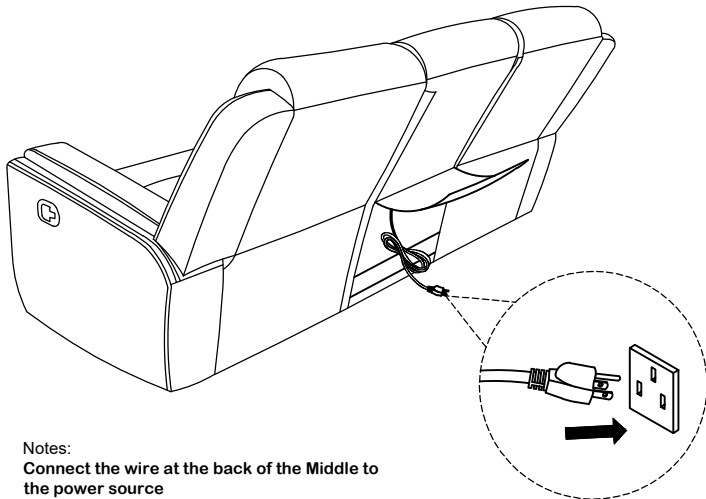
No	Drawing	Qty	Description
A		1	SEAT
B		1	LSF BACK REST
C		1	MIDDLE BACK REST
D		1	RSF BACK REST
E		1	LSF EAR
F		1	RSF EAR

# Step #1

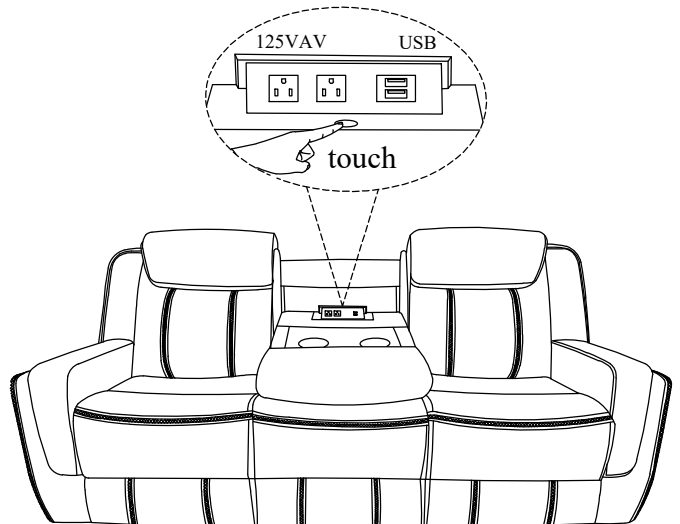
EARS ARE STORED  
UNDER METAL FRAME



# Step #2

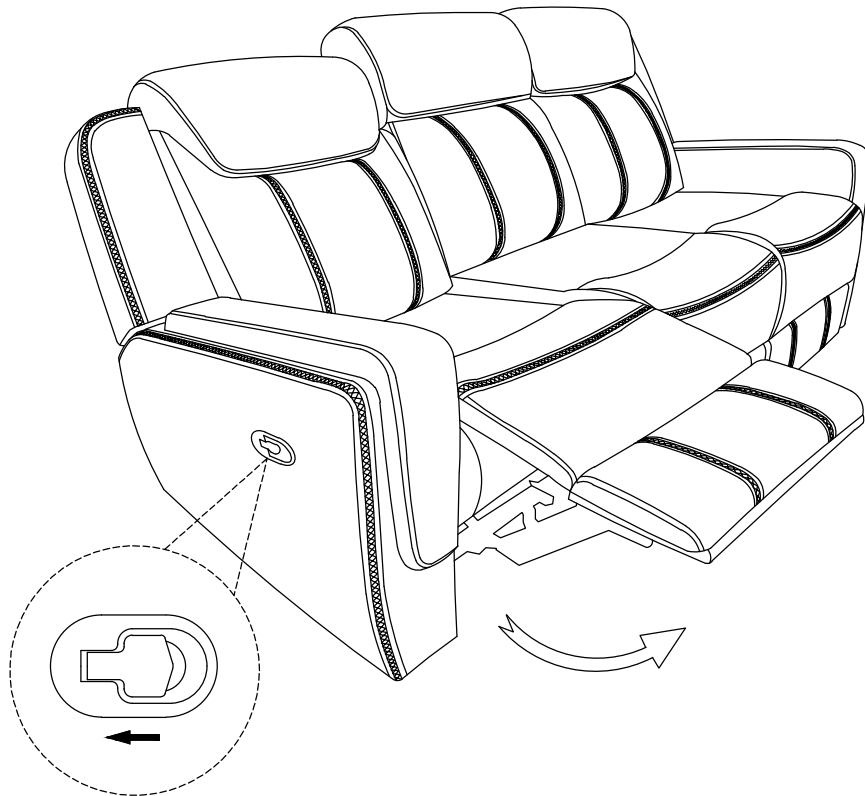


Notes:  
Connect the wire at the back of the Middle to  
the power source





## Step #3



Pull to recline the chair

## Care Instruction for Polished Microfiber Furniture:

In order to maintain the original appearance of your Polished Microfiber Furniture,

please follow below simple care procedures:

- Avoid exposing furniture directly to sunlight or heating and air conditioning outlets. Sunlight and or exposure to heating and air conditioning outlets will fade/damage Polished Microfiber.
- Vacuum or wipe with a soft cloth to remove dust.



For items use on wooden floor, hard surfaces or carpets, it is recommended to Install protective pads under all legs and supports to avoid/prevent from damages/scratches and discoloration.