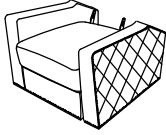
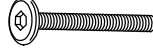
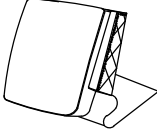







# ASSEMBLING INSTRUCTIONS

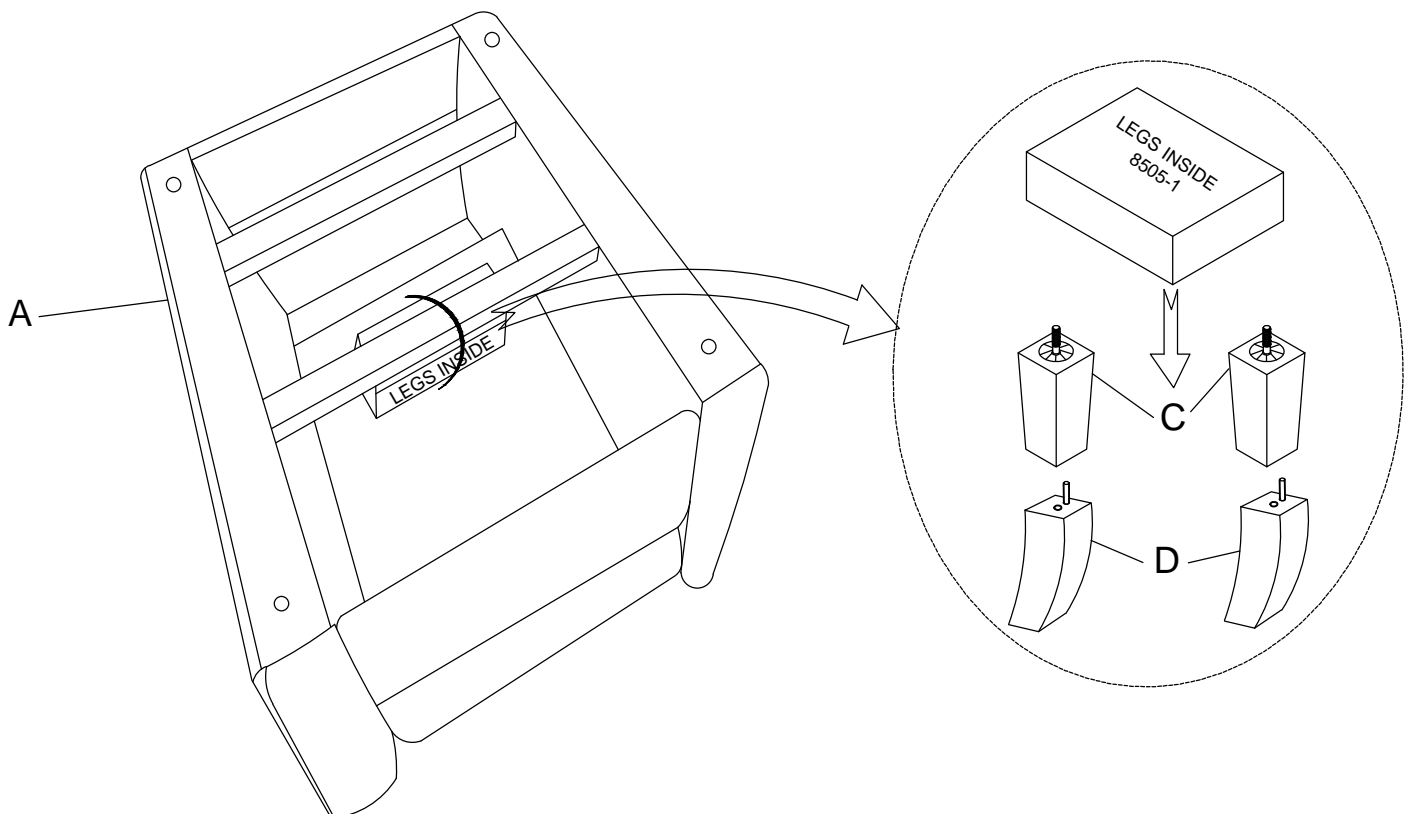
## ITEM NO: 194S8505BU/GY/SN-1

### PUSH BACK RECLINING CHAIR

**!** It is recommended to install protective pads under all legs and supports to avoid damage or scratches when placing furniture on a wood floor or other hard surface, and to limit indentation and prevent discoloration if placing on carpet.

PART	DRAWING	DESCRIPTION	QTY	PART	DRAWING	DESCRIPTION	QTY
A		SEAT	1 PC	1		BOLT (Ø5/16" *3")	2 PCS
B		BACK	1 PC	2		SPRING WASHER (Ø5/16")	2 PCS
C		FRONT LEGS	2 PCS	3		FLAT WASHER (Ø5/16")	2 PCS
D		BACK LEGS	2 PCS	4		ALLEN KEY (M4)	1 PC

#### STEP 1:

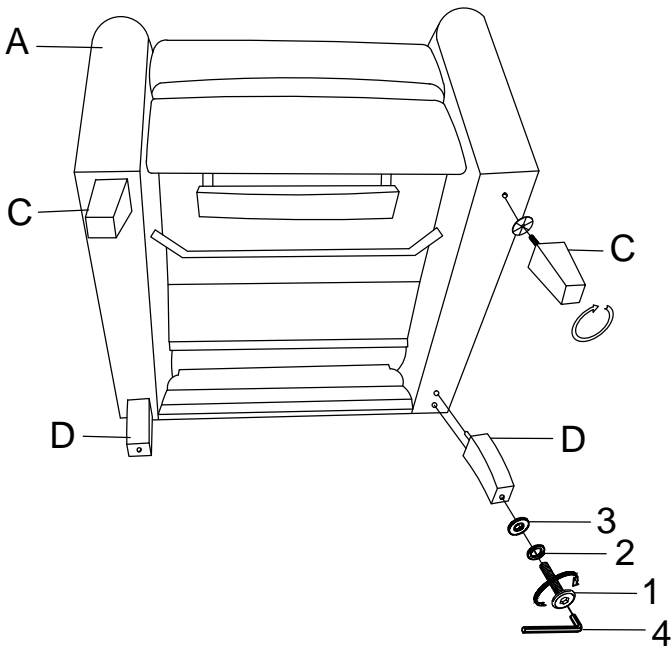


# ASSEMBLING INSTRUCTIONS

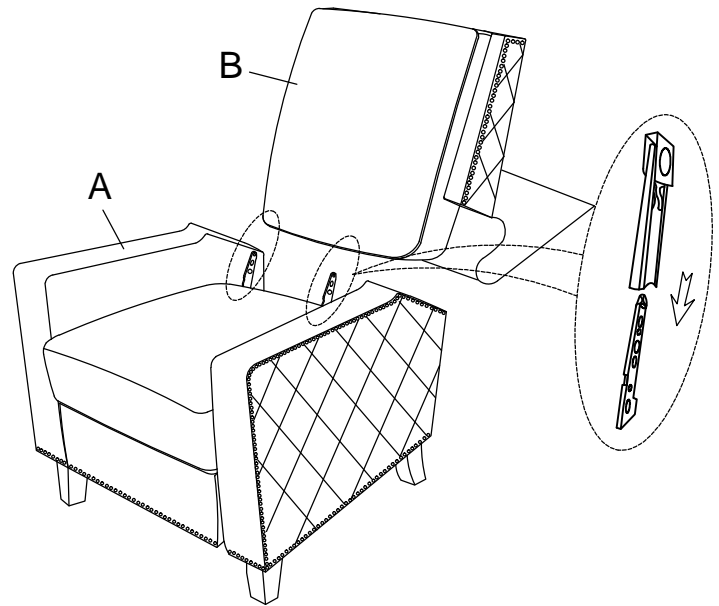
## ITEM NO: 194S8505BU/GY/SN-1

### PUSH BACK RECLINING CHAIR

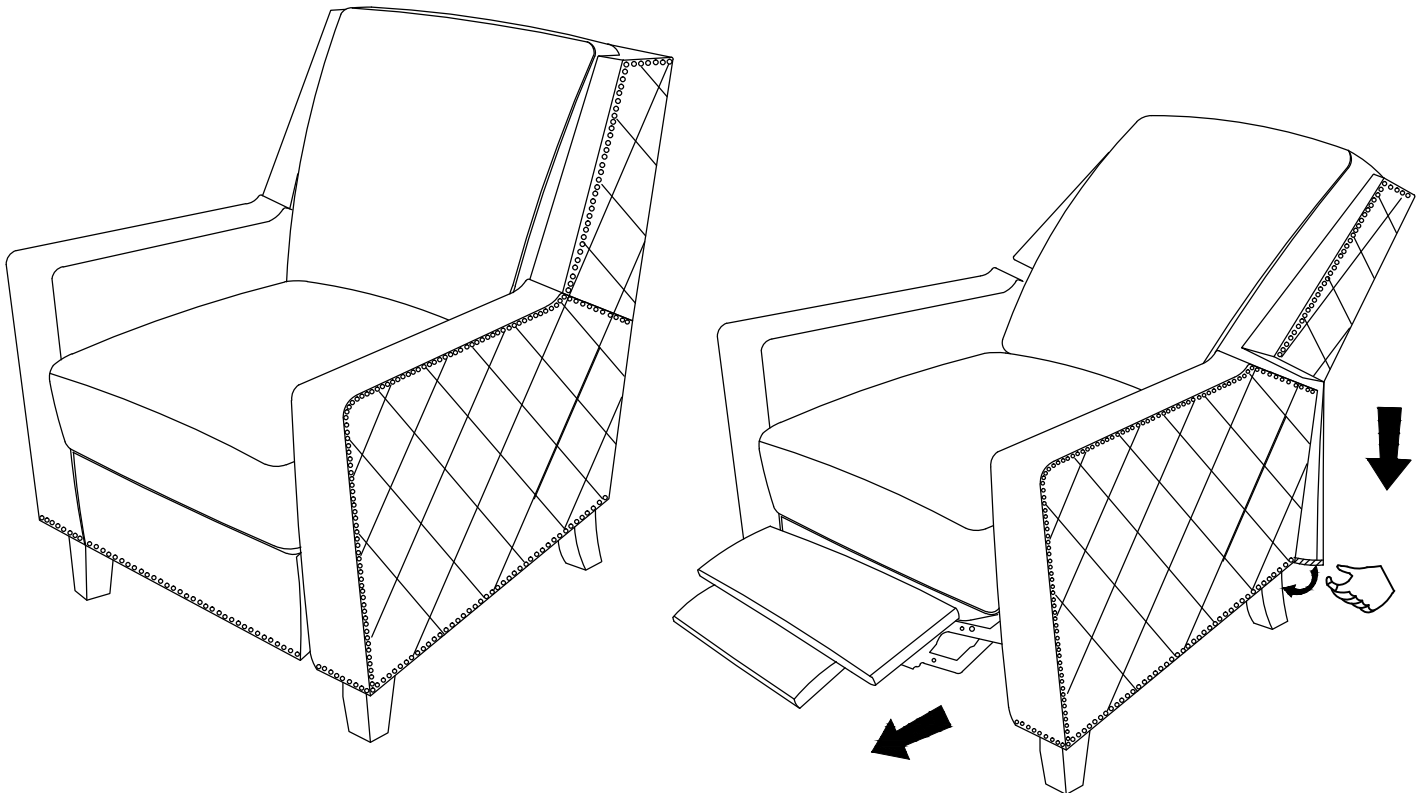
#### STEP 2:



#### STEP 3:



#### STEP 4: COMPLETED



#### CARE INTRUCTION FOR FABRIC FURNITURE

In order to maintain the original appearance of your funiture, please follow below care procedures.

°Avoid exposing furniture directly to sunlight or heating and air conditioning outlets. Sunlight and / or exposure to heading and air conditioning outlets will fade/damage fabric. Do not place your upholstered furniture too close to windows, radiators, r vents and be sure to use window treatments to block the sun's rays.

°Wipe with a soft brush to remove dust.