


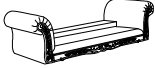






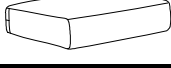
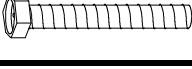





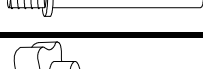
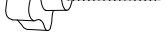
Assembly Instruction

ITEM NO.: 194S8233TT-3

SOFA, 4 BIG PILLOWS , 2 SMALL PILLOWS

NOTE: Do not use power tools for assembly. Power tools increase the risk of over tightening which lead to splitting or cracking the wood.

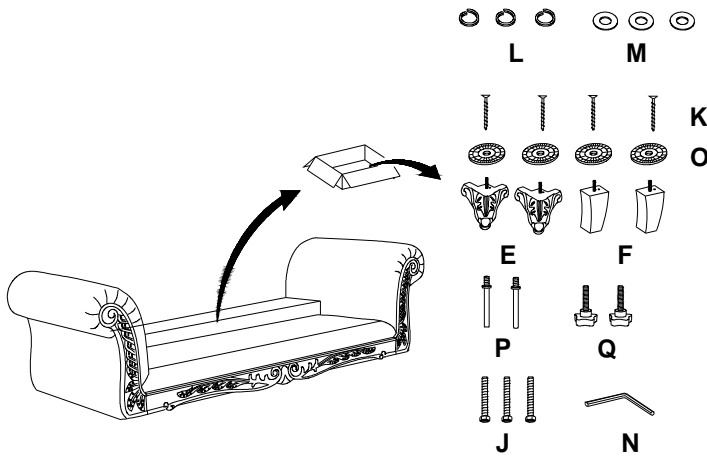
COMPONENT LIST

NO.	DRAWING	QTY	DESCRIPTION
A		1	BACK REST
B		1	SEAT FRAME
C		1	LSF EAR
D		1	RSF EAR
E		2	WOODEN FRONT LEG
F		2	WOODEN REAR LEG
G		4	BIG PILLOW
H		2	SMALL PILLOW
I		2	SEAT CUSHION
J		3	BOLT (5/16"*1-3/8")(BACK REST)
K		4	WOOD SCREW (M4*2")(LEG)
L		3	LOCK WASHER (1/2"*1/2")
M		3	FLAT WASHER (3/4"*3/4")
N		1	ALLEN KEY (2"*2")
O		4	PLASTIC GASKET (2"*2")
P		2	STUD BOLT (M8*2-3/4")(EAR)
Q		2	BOLT (M8*2")(EAR)

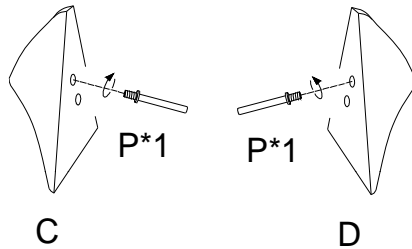
Please follow the drawings below to assemble the item.

Wooden legs are stored in the box on the seat of sofa. Please take out for assembly.

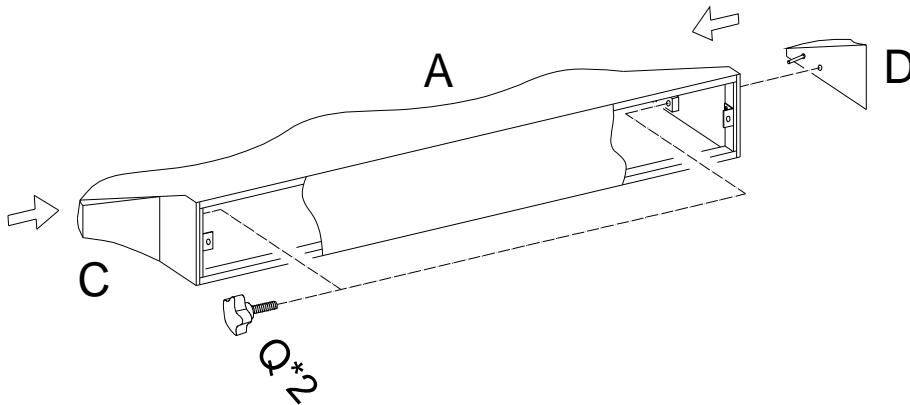
Step 1.



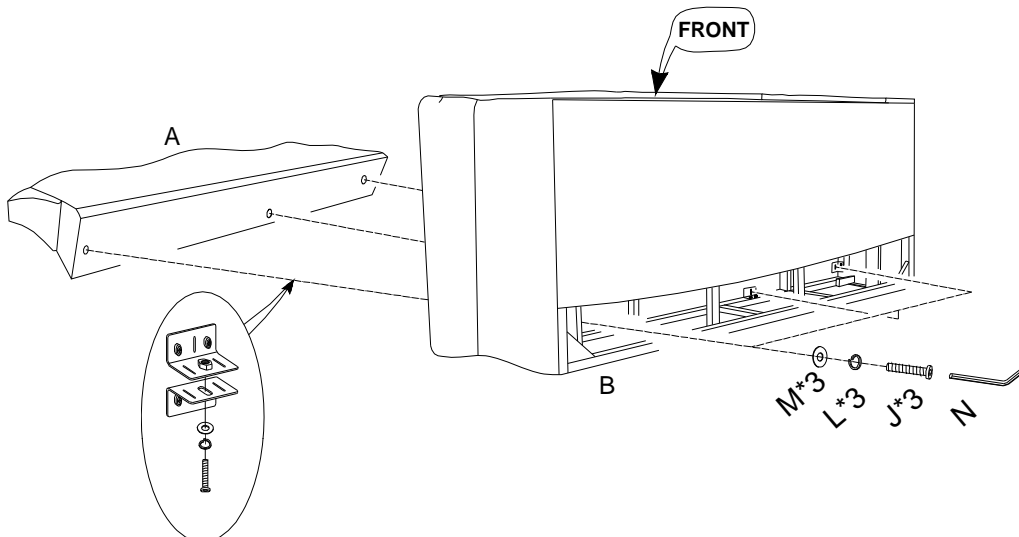
Step 2.



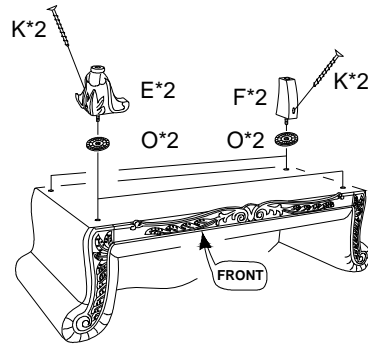
Step 3.



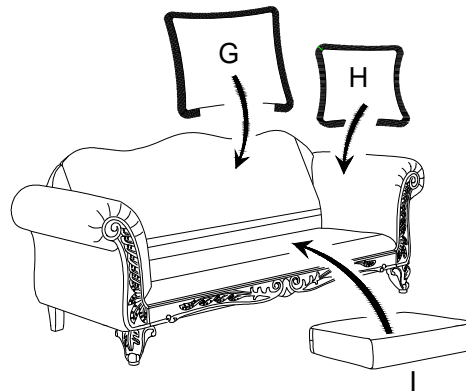
Step 4.



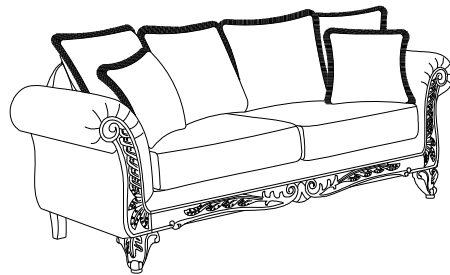
Step 5. Align the gasket onto the top of the legs and rotate to tighten it. Insert screws to the legs as shown in drawing and tighten it.



Step 6.



Completed.



CARE INSTRUCTION FOR FABRIC/FABRIC MATCH PU FURNITURE:
In order to maintain the original appearance of your fabric/ fabric match PU furniture, please follow below care procedures:

- Avoid exposing furniture directly to sunlight or heating and air conditioning outlets. Sunlight and / or exposure to heating and air conditioning outlets will fade/damage fabric/ fabric match PU. Do not place your upholstered furniture too close to windows, radiators, or vents, and be sure to use window treatments to block the sun's rays.
- Wipe with a soft brush to remove dust.
- Wipe fabric/ fabric match PU with professional cleanser.



For items use on wooden floor, hard surfaces or carpets, it is recommended to Install protective pads under all legs and supports to avoid/prevent from damages/scratches and discoloration