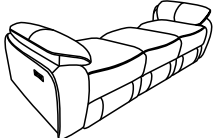
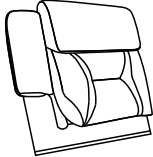




**Assembly Instruction**  
**ITEM NO.: 194S8229NBE/NDG-2**  
**DOUBLE RECLINING LOVE SEAT WITH**  
**CENTER CONSOLE**

**NOTE:** Do not use power tools for assembly. Power tools increase the risk of over tightening which leads to splitting or cracking the wood.

**COMPONENT LIST (LOVE SEAT)**

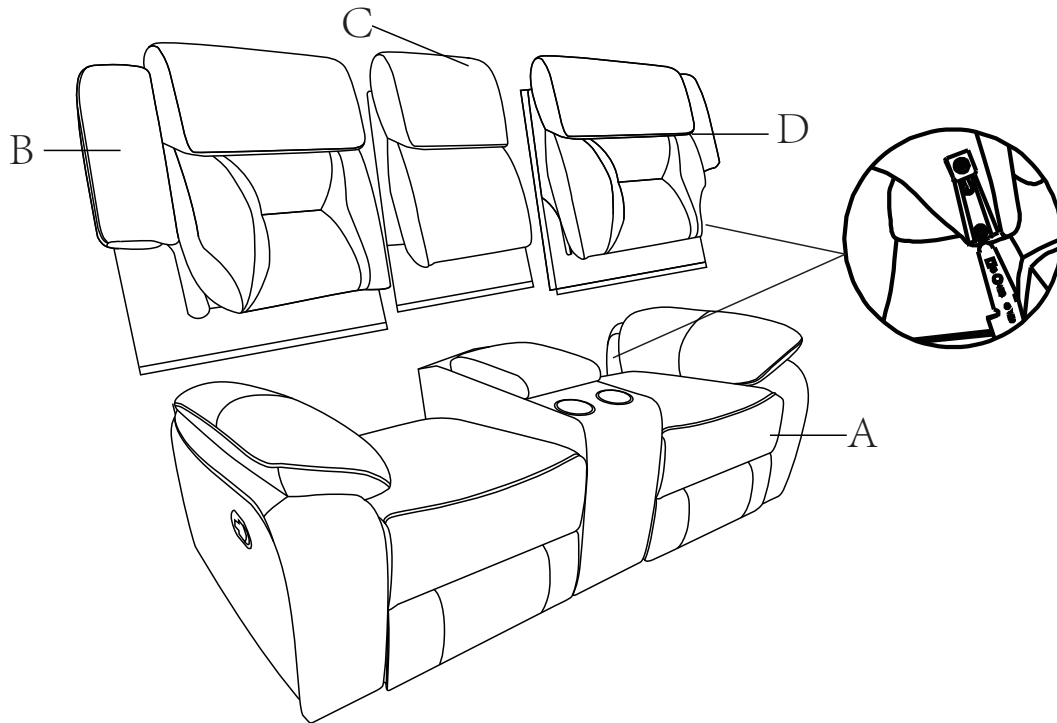
NO.	DRAWING	QTY	DESCRIPTION
A		1	SEAT
B		1	LSF BACK REST
C		1	CONSOLE BACK REST
D		1	RSF BACK REST

**STEP# 1**

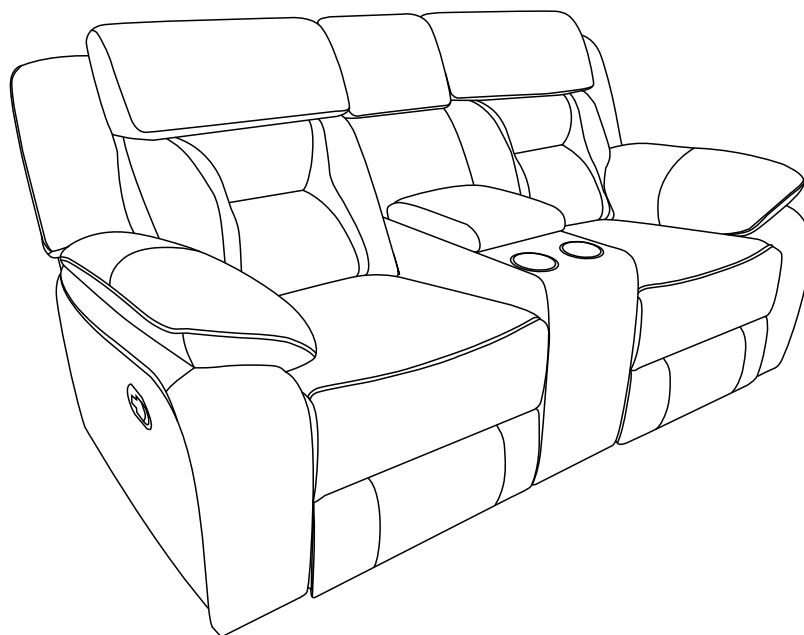
Attach LSF Back Rest(B) and RSF Back Rest(D) to the Seat (A).

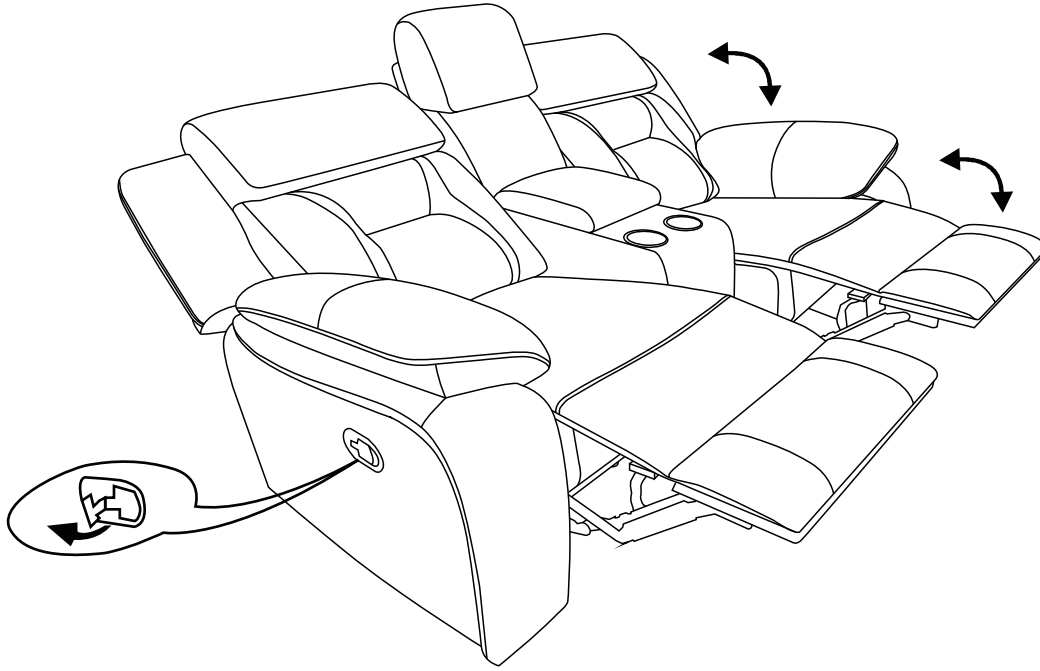
**STEP# 2**

Attach Middle Console Back Rest (C) to the seat(A) .



**STEP#4 Completed**





## Care Instruction for Leather air Furniture.

In order to maintain the original appearance of your Polished Microfiber furniture, please follow below simple care procedures:

- Avoid exposing furniture directly to sunlight or heating and air conditioning outlets. Sunlight and/or exposure to heating and air conditioning outlets will fade/damage polished microfiber.
- Do not place your upholstered furniture too close to windows, radiators, or vents and be sure to use window, radiators, or vents.
- Vacuum or wipe with a soft brush to remove dust.



For items used on wooden floor, hard surfaces or carpets, it is recommended to install protective pads under all legs supports to avoid/prevent from damages/scratches discoloration.

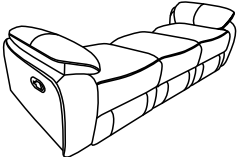

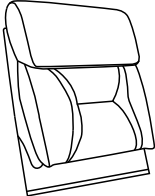
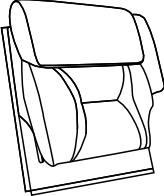
# Assembly Instruction

## ITEM NO: 194S8229NBE/NDG-3

### DOUBLE RECLINING SOFA

**NOTE:** Do not use power tools for assembly. Power tools increase the risk of over tightening which leads to splitting or cracking the wood.

#### COMPONENT LIST (SOFA)

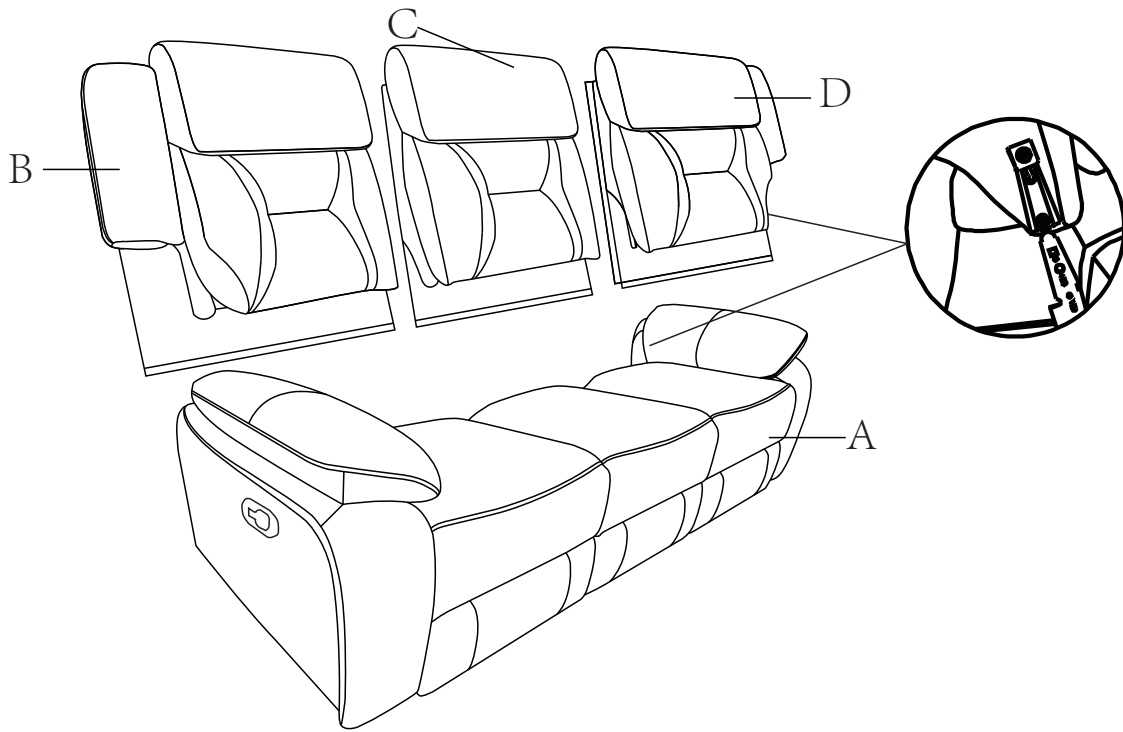
NO.	DRAWING	QTY	DESCRIPTION
A		1	SEAT
B		1	LSF BACK REST
C		1	MIDDLE BACK REST
D		1	RSF BACK REST

**STEP# 1**

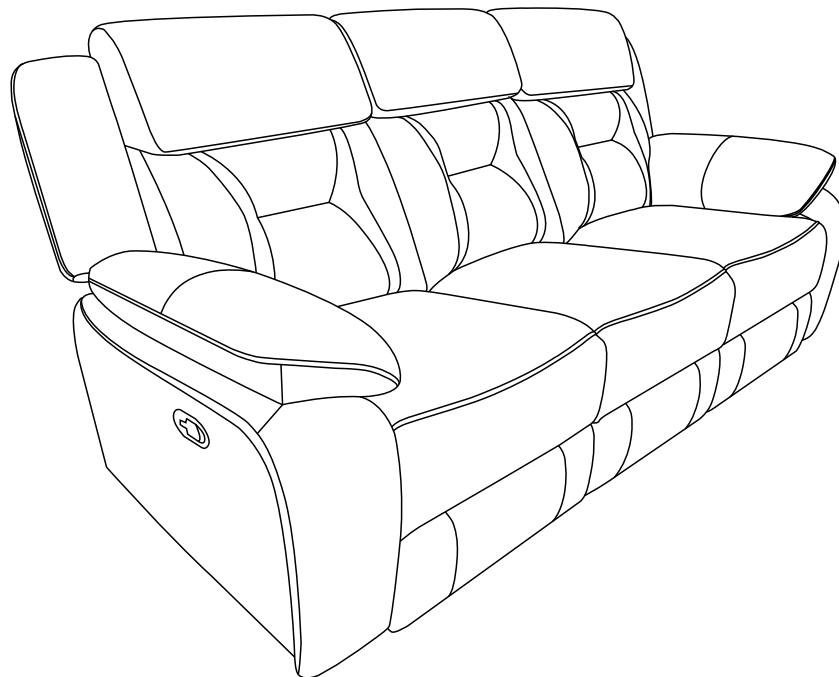
Attach LSF Back Rest(B) and RSF Back Rest(D) to the Seat (A).

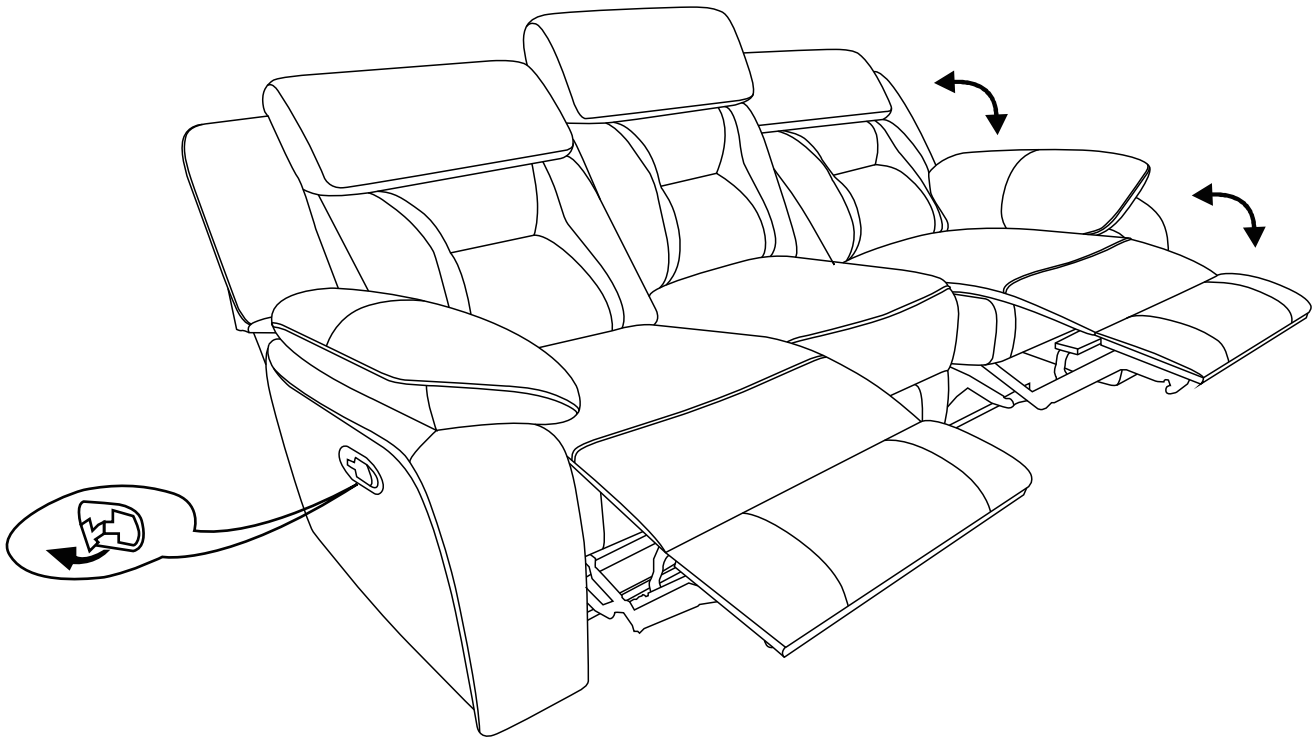
**STEP# 2**

Attach Middle Back Rest (C) to the seat(A) .



**STEP#3 Completed**





## Care Instruction for Leather air Furniture.

In order to maintain the original appearance of your Polished Microfiber furniture, please follow below simple care procedures:

- Avoid exposing furniture directly to sunlight or heating and air conditioning outlets. Sunlight and/or exposure to heating and air conditioning outlets will fade/damage polished microfiber.
- Do not place your upholstered furniture too close to windows, radiators, or vents and be sure to use window, radiators, or vents.
- Vacuum or wipe with a soft brush to remove dust.



For items used on wooden floor, hard surfaces or carpets, it is recommended to install protective pads under all legs supports to avoid/prevent from damages/scratches discoloration.