





Assembly Instruction

Double Glider Reclining Love Seat with Center Console, Receptacles and USB Ports ITEM NO: 194S8206GRY-2/8206BRW-2/8206NF-2

NOTE: Do not use power tools for assembly. Power tools increase the risk of over tightening which leads to splitting or cracking the wood.

COMPONENT LIST (LOVE SEAT)

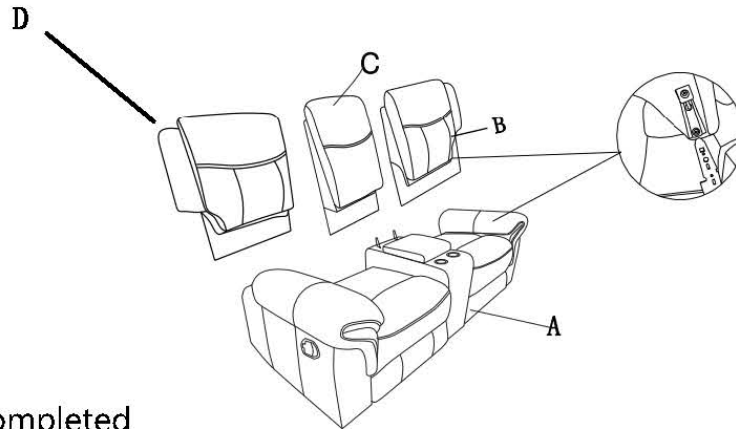
NO.	DRAWING	QTY	DESCRIPTION
A		1	SEAT
B		1	RSF BACK REST
C		1	CONSOLE BACK REST
D		1	LSF BACK REST

STEP# 1

Attach LSF Back Rest(D) and RSF Back Rest(B) to the Seat (A).

STEP# 2

Attach Console Back Rest (C) to the seat(A) .



STEP# 3 Completed



Care Instruction for AIREHYDE or Polished Microfiber Furniture..

In order to maintain the original appearance of your AIREHYDE(194S8206GRY-2 and 194S8206BRW-2) or Polished Microfiber(194S8206NF-2) furniture, please follow below simple care procedures:

- Avoid exposing furniture directly to sunlight or heating and air conditioning outlets. Sunlight and/or exposure to heating and air conditioning outlets will fade/damage AIREHYD or Polished Microfiber.
- Do not place your AIREHYDE or Polished Microfiber furniture too close to windows, radiators, or vents.
- Vacuum or wipe with a soft brush to remove dust.



For items use on wooden floor, hard surfaces or carpets, it is recommended to Install protective pads

under all legs and supports to avoid/prevent from damages/scratches and discoloration.