

**ASSEMBLY INSTRUCTIONS**  
**ITEM NO: 194S1082BE-1**  
**ACCENT CHAIR**

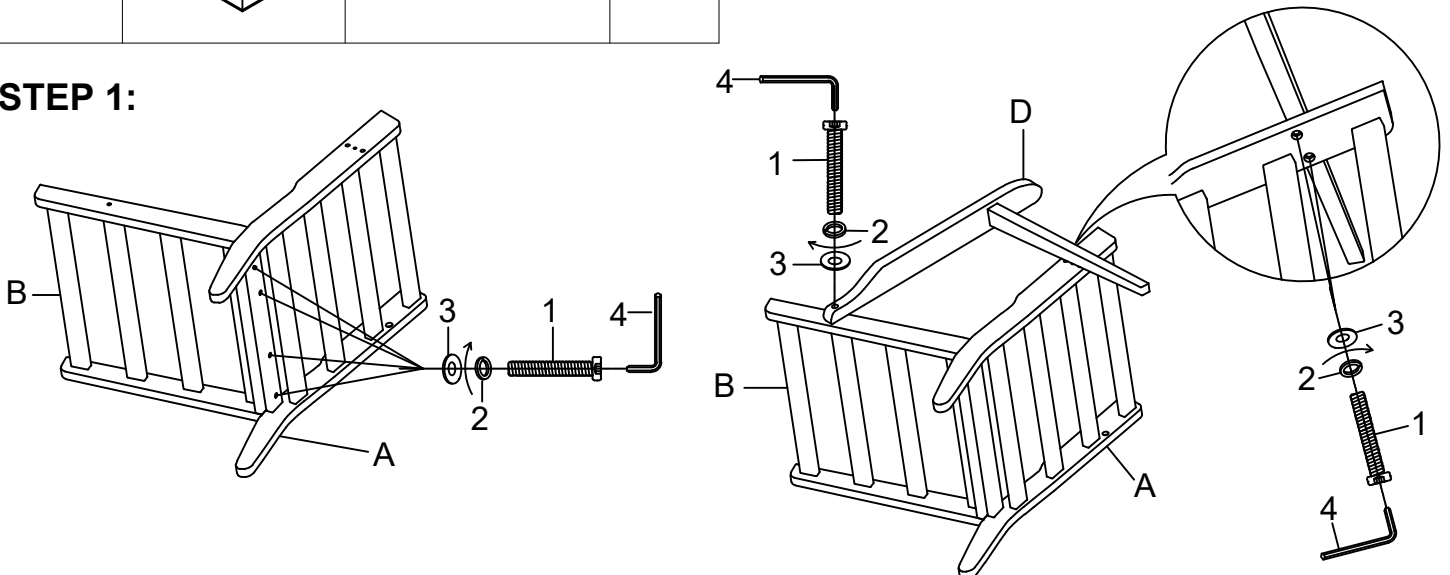


Hardware are stored in the box, please take out for assembly.

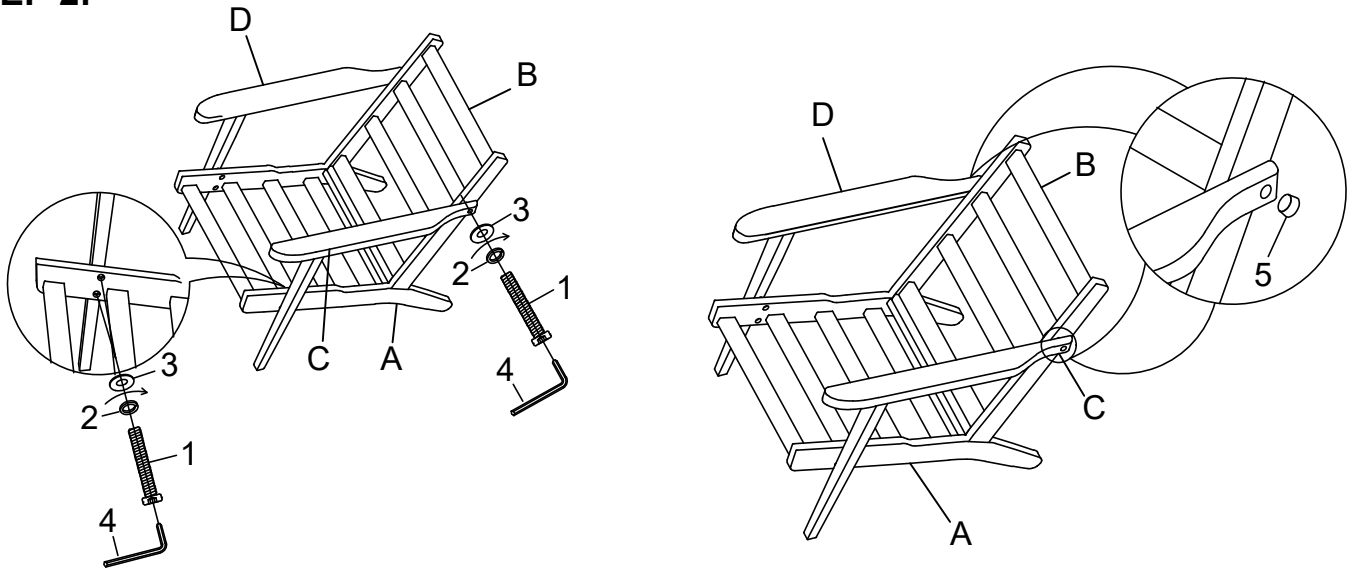
Note: Do not use power tools for assembly. Power tools increase the risk of over tightening which lead to splitting or cracking the wood.

PART	DRAWING	DESCRIPTION	QTY	PART	DRAWING	DESCRIPTION	QTY
A		SEAT	1 PC	1		BOLT (Ø5/16" *1-1/2")	10 PCS
B		CHAIR BACK	1 PC	2		SPRING WASHER (Ø5/16")	10 PCS
C		RSF ARM	1 PC	3		FLAT WASHER (Ø5/16")	10 PCS
D		LSF ARM	1 PC	4		ALLEN KEY (M4)	1 PC
E		SEAT CUSHION	1 PC	5		WOOD PLUG Ø3/5" *2/5"	2 PCS
F		BACK CUSHION	1 PC				

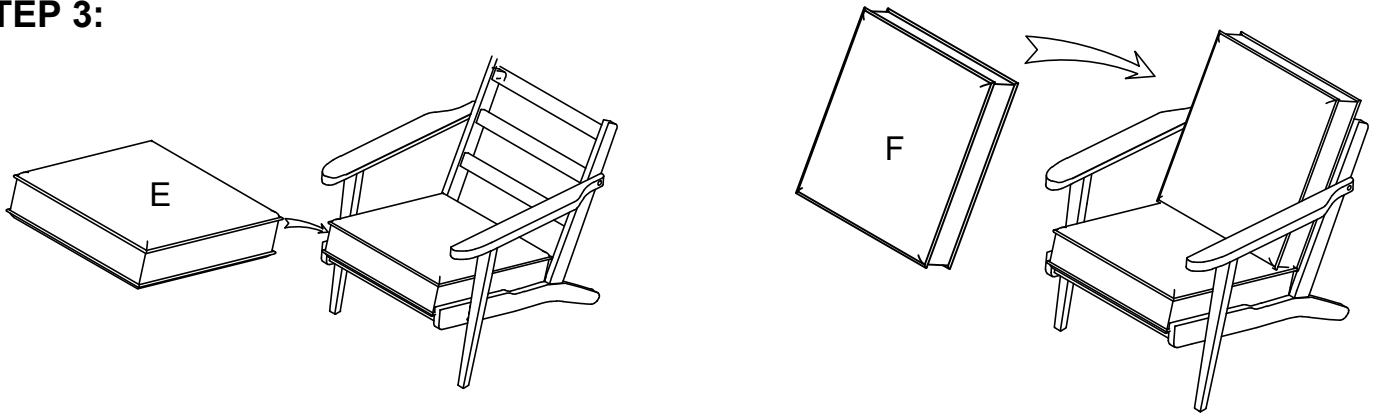
**STEP 1:**



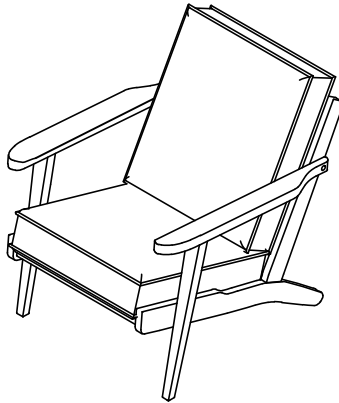
## STEP 2:



## STEP 3:



## COMPLETED.



## Care Instruction for Chenille Furniture:

In order to maintain the original appearance of your Chenille Furniture, please follow below simple care procedures:

- Avoid exposing furniture directly to sunlight or heating and air conditioning outlets. Sunlight and or exposure to heating and air conditioning outlets will fade/damage Chenille.
- Vacuum or wipe with a soft cloth to remove dust.



For items use on wooden floor, hard surfaces or carpets, it is recommended to Install protective pads under all legs and supports to avoid/prevent from damages/scratches and discoloration.