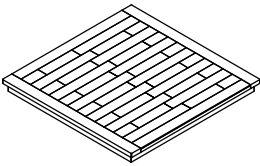



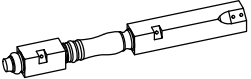


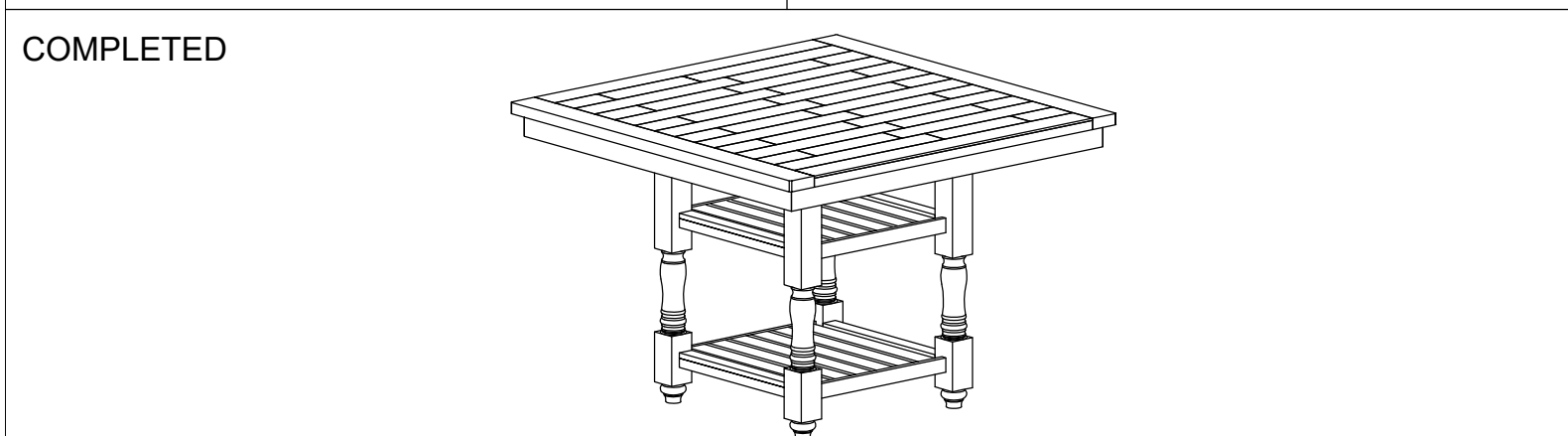
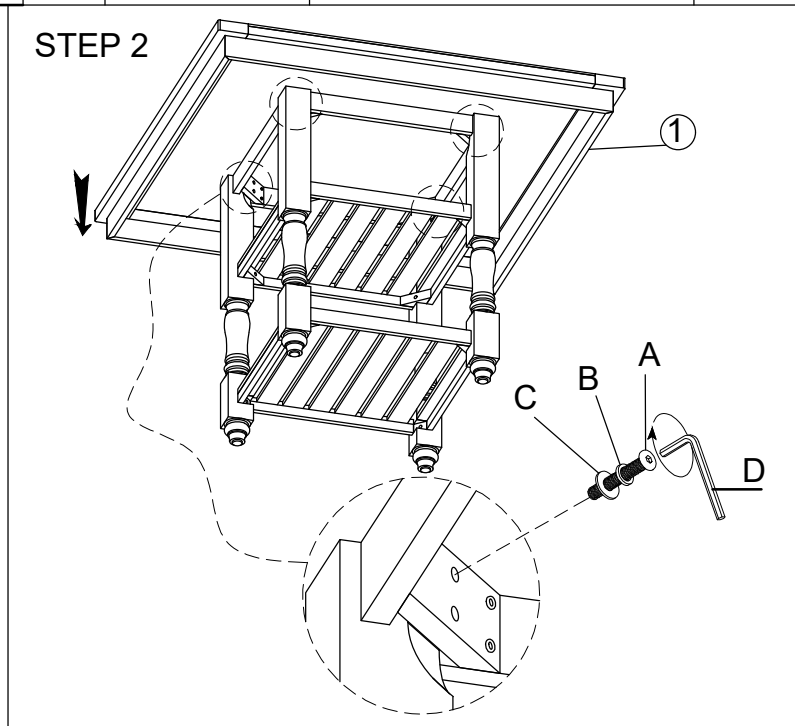
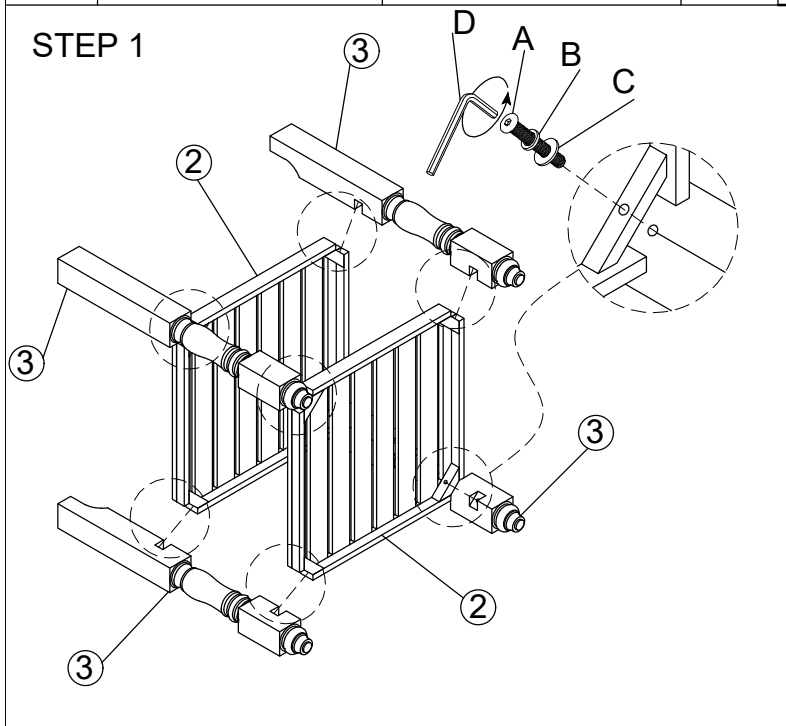


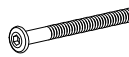






ASSEMBLY INSTRUCTION
COUNTER HEIGHT TABLE

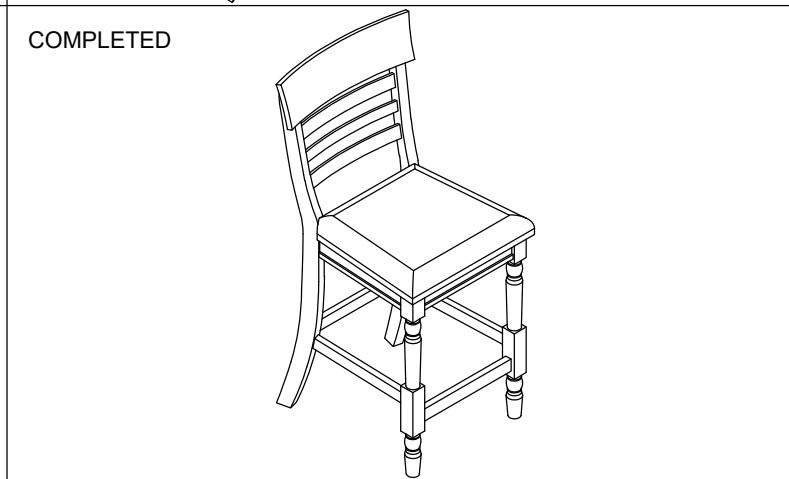
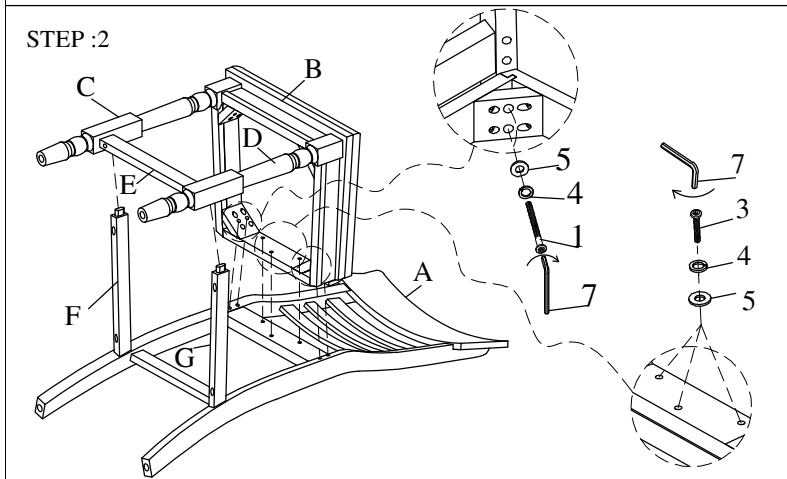
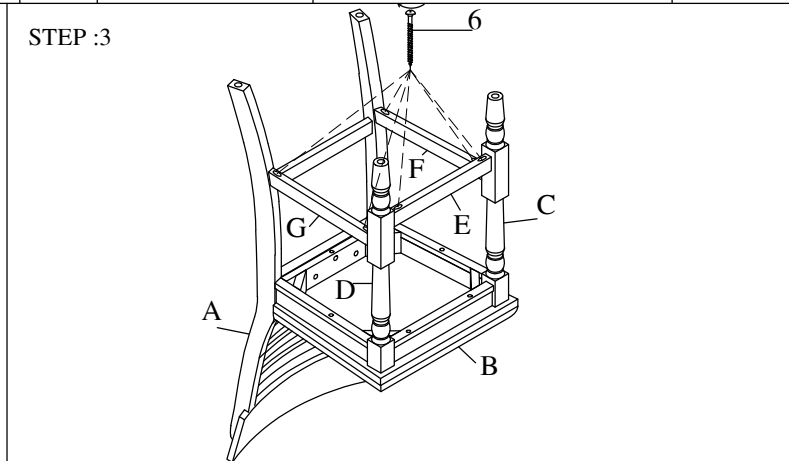
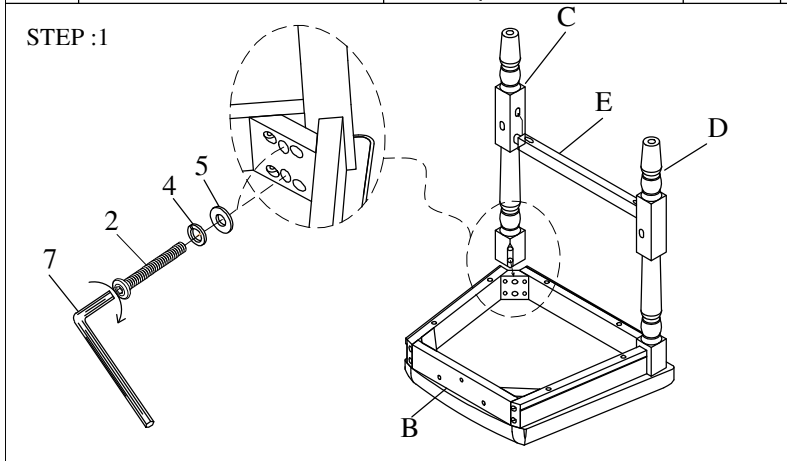
NO	PARTS LIST		QTY	NO	HARDWARE LIST		QTY
1	TABLE TOP		1pc	A		BOLT 5/16"x 60mm	16pcs
2	BOTTOM SHELVES		2pcs	B		SPRING WASHER 5/16"xØ13x1.5mm	16pcs
3	TABLE LEGS		4pcs	C		FLAT WASHER 1/4"xØ19x1.5mm	16pcs
				D		ALLEN KEY	1pc



! For items use on wooden floor, hard surfaces or carpets, it is recommended to install protective pads under all legs and supports to avoid/prevent from damages/scratches and discoloration
Do not tighten bolts until completely assembled
Care instructions:
. Dust often using a clean, soft, dry and lint-free cloth.
. When blot spills, wipe with a clean, damp cloth immediately.
. We do not recommend the use of chemical cleansers, abrasives or furniture polish on our lacquered finish.
. Hardware may loosen over time. Periodically check to make sure all connections are tight. Re-tighten if necessary.

ASSEMBLY INSTRUCTION COUNTER HEIGHT CHAIR

NO	PARTS LIST	QTY	NO	HARDWARE LIST	QTY
A	CHAIR BACK	1pc	1	 BOLT (5/16"x 80mm)	4pcs
B	SEAT FRAME	1pc	2	 BOLT (5/16"x 65mm)	4pcs
C	LEFT LEG	1pc	3	 BOLT (5/16"x 38mm)	3pcs
D	RIGHT LEG	1pc	4	 SPRING WASHER (5/16"xØ13x1.5mm)	11pcs
E	FRONT STRETCHER	1pc	5	 FLAT WASHER (5/16"xØ19x1.5mm)	11pcs
F	SIDE STRETCHER(LEFT)	1pc	6	 WOOD SCREW (M4x38mm)	6pcs
G	SIDE STRETCHER(RIGHT)	1pc	7	 ALLEN KEY	1pcs



⚠ For items use on wooden floor, hard surfaces or carpets, it is recommended to install protective pads under all legs and supports to avoid/prevent from damages/scratches and discoloration
Do not tighten bolts until completely assembled
Care instructions:
. Dust often using a clean, soft, dry and lint-free cloth.
. When blot spills, wipe with a clean, damp cloth immediately.
. We do not recommend the use of chemical cleansers, abrasives or furniture polish on our lacquered finish.
. Hardware may loosen over time. Periodically check to make sure all connections are tight. Re-tighten if necessary.