



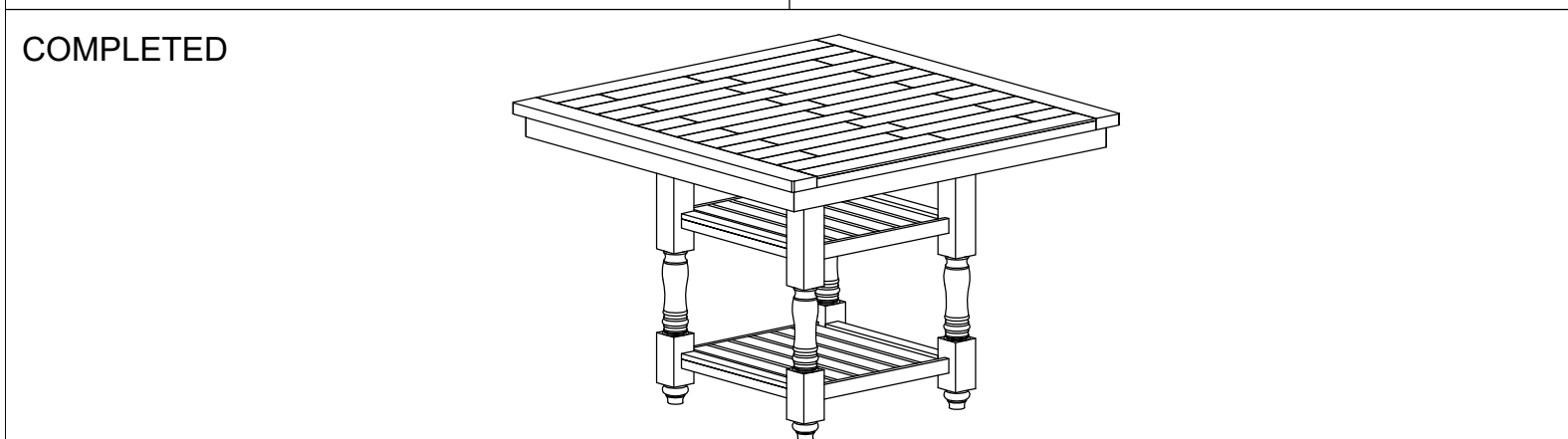
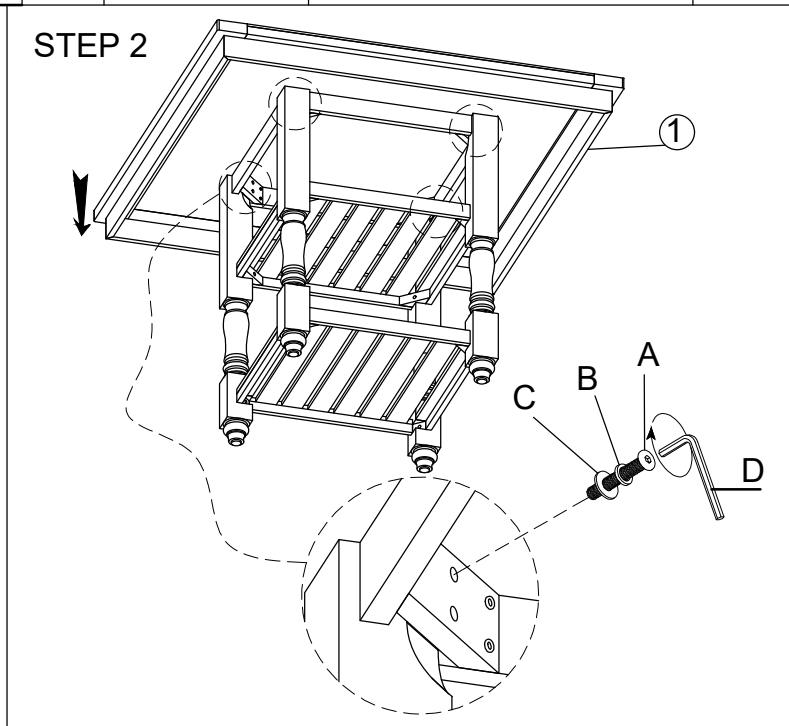
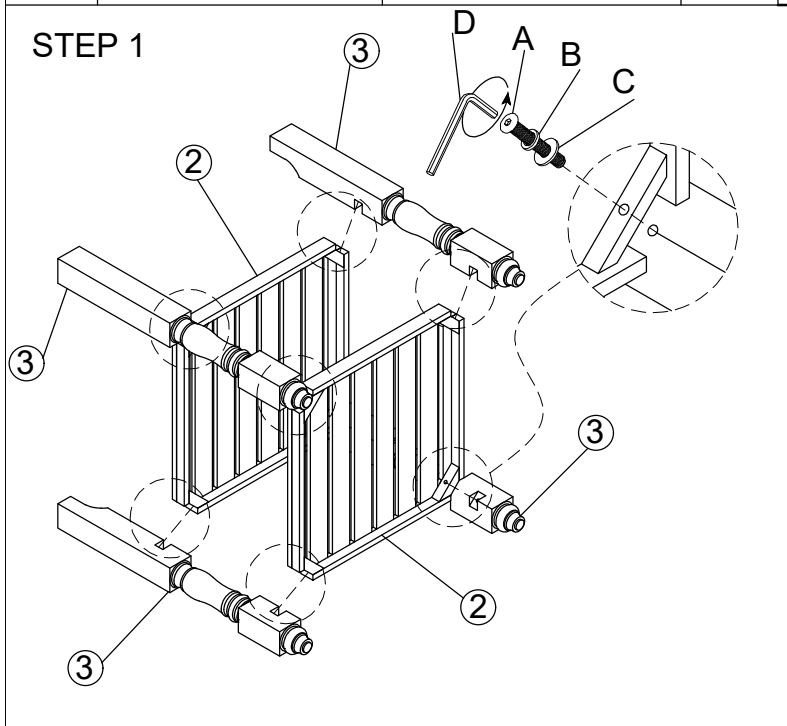


ASSEMBLY INSTRUCTION

ITEM NO: 193D5906WH-36

COUNTER HEIGHT TABLE

NO	PARTS LIST	QTY	NO	HARDWARE LIST	QTY
1	TABLE TOP	1pc	A	 BOLT 5/16"x 60mm	16pcs
2	BOTTOM SHELVES	2pcs	B	 SPRING WASHER 5/16"xØ13x1.5mm	16pcs
3	TABLE LEGS	4pcs	C	 FLAT WASHER 1/4"xØ19x1.5mm	16pcs
			D	 ALLEN KEY	1pc



! For items use on wooden floor, hard surfaces or carpets, it is recommended to install protective pads under all legs and supports to avoid/prevent from damages/scratches and discoloration

Do not tighten bolts until completely assembled

Care instructions:

- . Dust often using a clean, soft, dry and lint-free cloth.
- . When blot spills, wipe with a clean, damp cloth immediately.
- . We do not recommend the use of chemical cleansers, abrasives or furniture polish on our lacquered finish.
- . Hardware may loosen over time. Periodically check to make sure all connections are tight. Re-tighten if necessary.