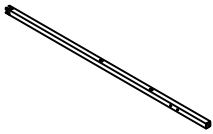


# ASSEMBLY INSTRUCTION

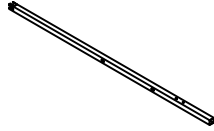
## ITEM NO.: 191B1759-1

### QUEEN SIZE CANOPY BED

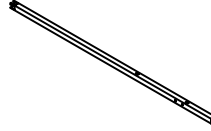
#### PART LIST:



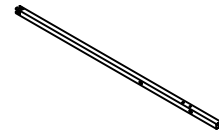
A: LSF Headboard Post  
x 1pc



B: RSF Headboard Post  
x 1pc



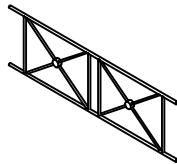
C: LSF Footboard Post  
x 1pc



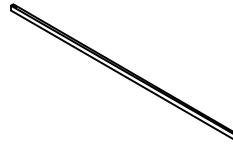
D: RSF Footboard Post  
x 1pc



E: Short Upper Support Bar  
x 2pcs



F: Headboard & Footboard Frame  
x 2pcs



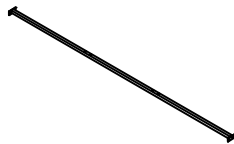
G: Long Upper Support Bar  
x 2pcs



H: Rail  
x 2pcs



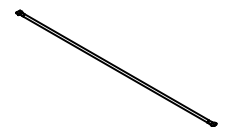
I: Front/Rear Support Bar  
x 2pcs



J: Center support Bar  
x 1pc



K: Support Legs  
x 2pcs



L: Slat with Connectors  
x 16pcs

#### HARDWARE LIST:



1: Bolt 1/4\*46mm  
x4pcs



2: Bolt 1/4\*16mm  
x24pcs

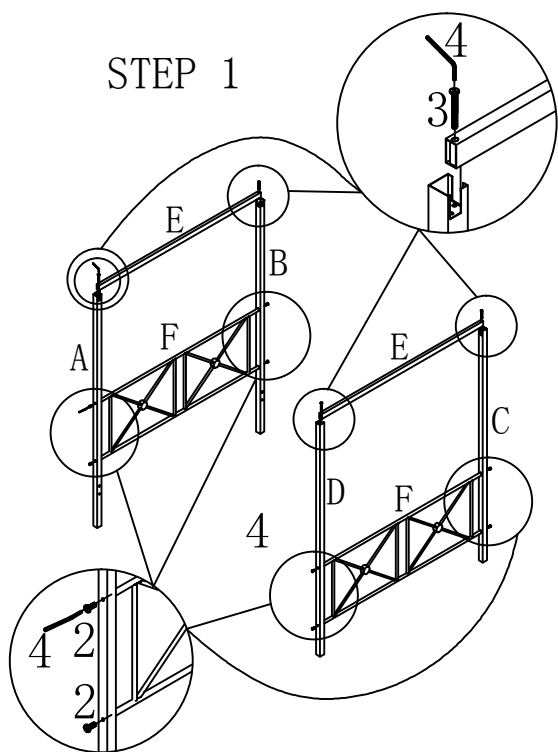


3: Bolt 1/4\*60mm  
x12pcs

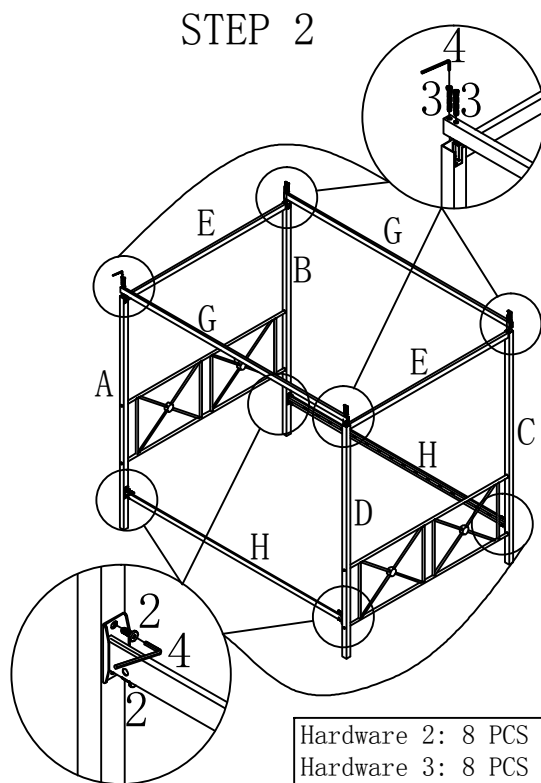


4: Allen Key 4MM  
x1pc

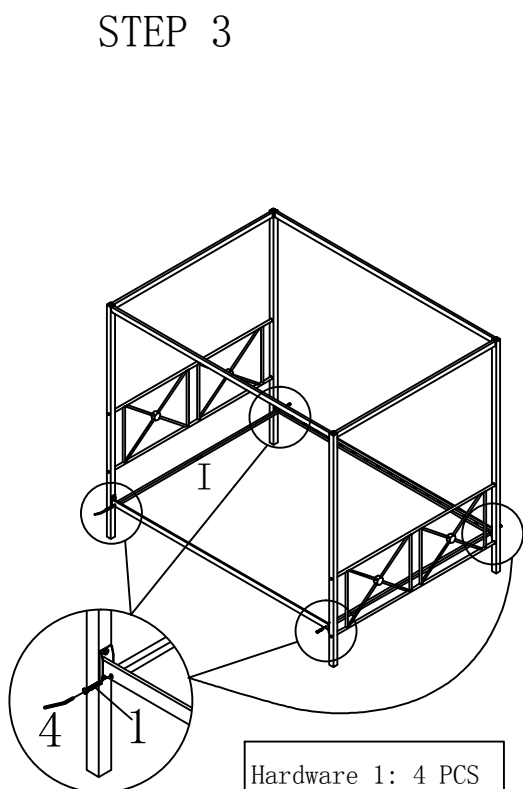
Note: Please do not tighten all bolts until the bed is assembled completely.



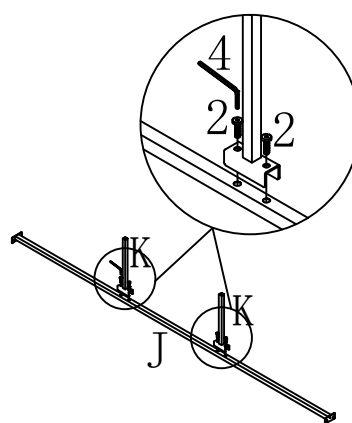
Hardware 2: 8 PCS  
Hardware 3: 4 PCS



Hardware 2: 8 PCS  
Hardware 3: 8 PCS

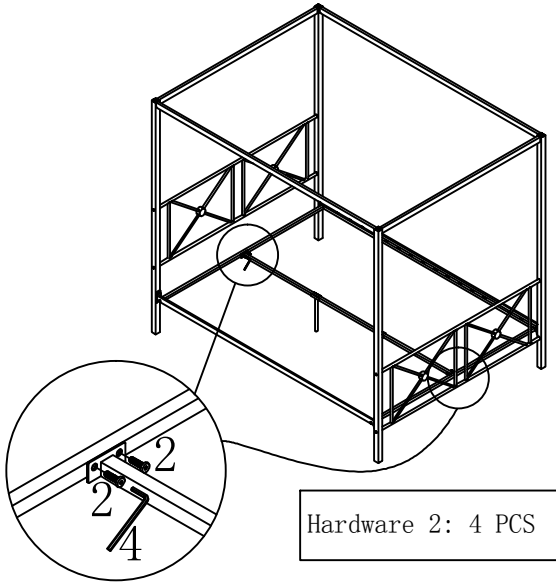


Hardware 1: 4 PCS



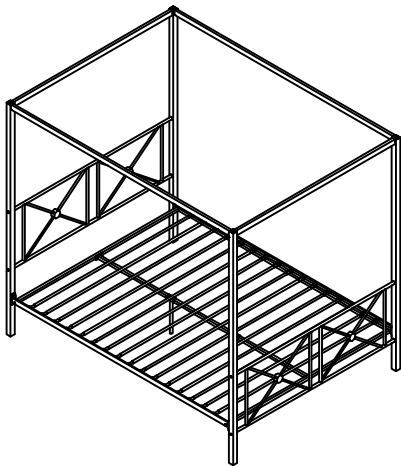
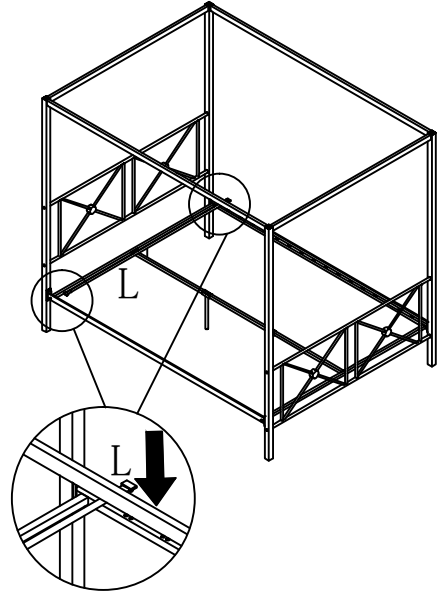
Hardware 2: 4 PCS

## STEP 5



COMPLETED

## STEP 6



For items use on wooden floor, hard surfaces or carpets, it is recommended to install protective pads under all legs and supports to avoid/prevent from damages/scratches and discoloration.