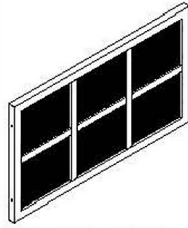


ASSEMBLY INSTRUCTION
ITEM NO: 191B1635DZT-1
TWIN PLATFORM BED

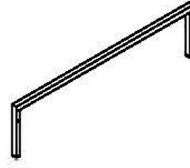
PART LIST:



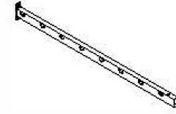
A: HEADBOARD LEGS
2PCS



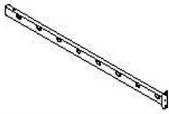
B: HEADBOARD
1PC



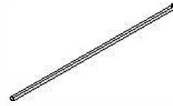
C: FOOTBOARD
1PC



D: SIDE RAIL
2PCS



E: SIDE RAIL
2PCS



F: CENTER CROSS BAR
1PC



**G: CENTER SLAT
SUPPORT LEG**
2PCS



H: SLAT
16PCS



I: SLAT CONNECTOR
32PCS

HARDWARE SET:



1: Bolt
1/4*50mm
X 4pcs



2: Bolt
5/16*19mm
X 8pcs



3: Bolt
5/16*48mm
X 4pcs



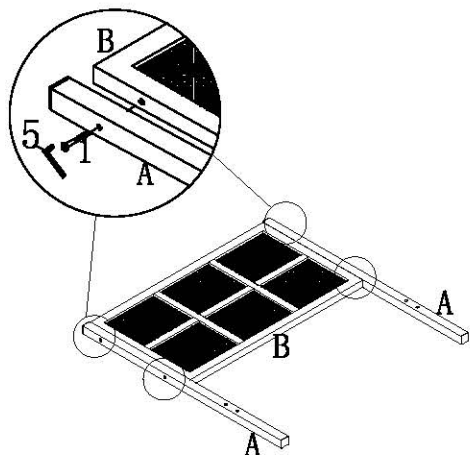
4: Bolt
1/4*35mm
X 2pcs



5: Allen Key
X 1pc

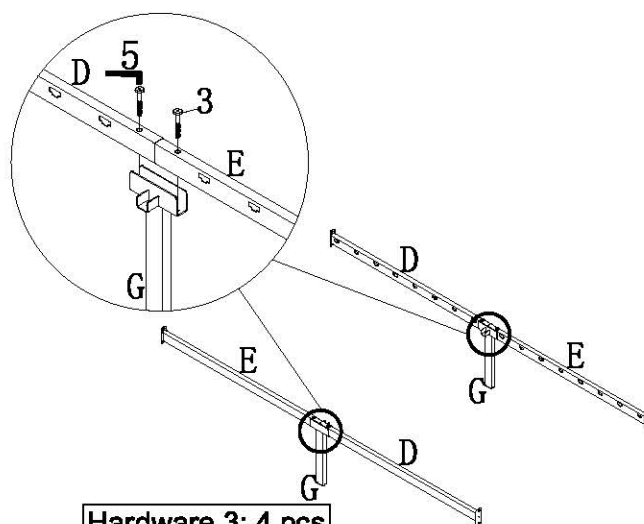
Note: Please do not tighten all bolts until the bed is assembled completely.

STEP 1



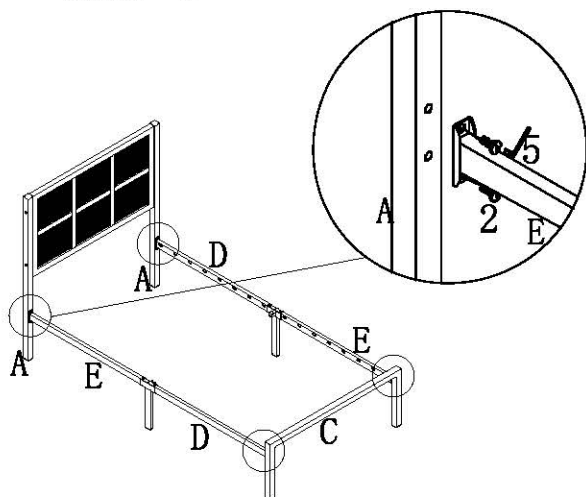
Hardware 1: 2 pcs

STEP 2



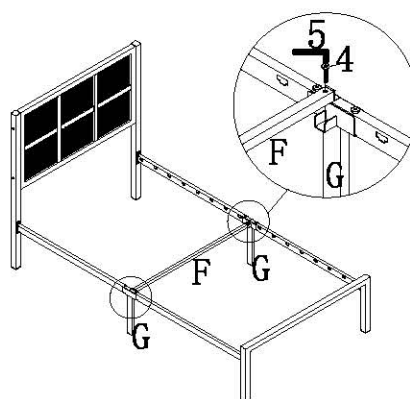
Hardware 3: 4 pcs

STEP 3



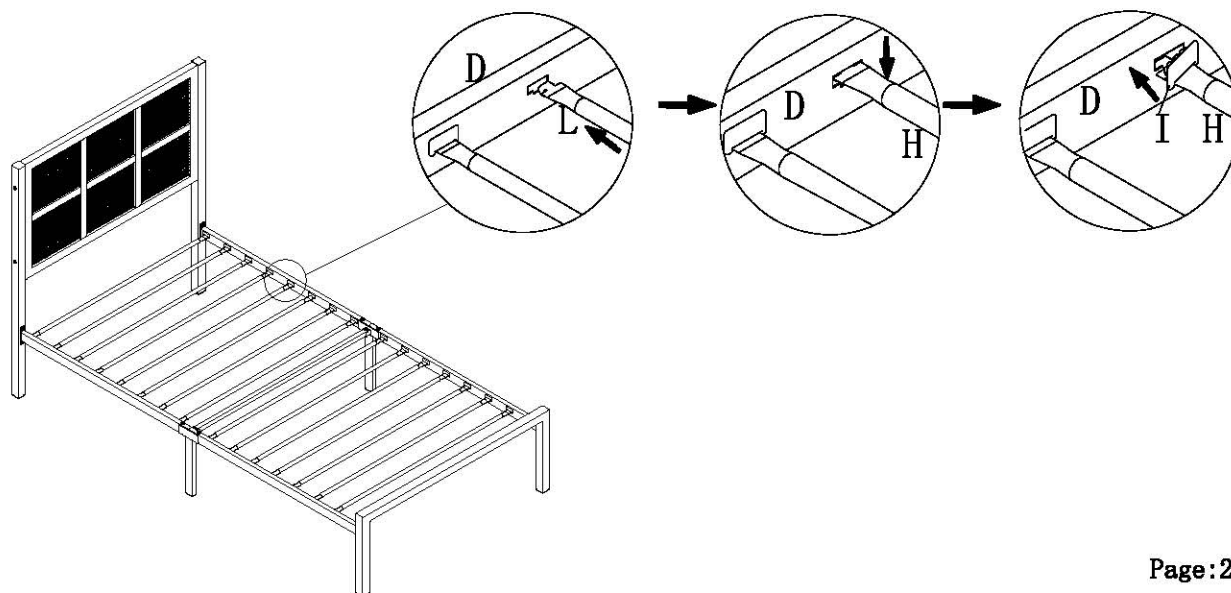
Hardware 2: 8 pcs

STEP 4



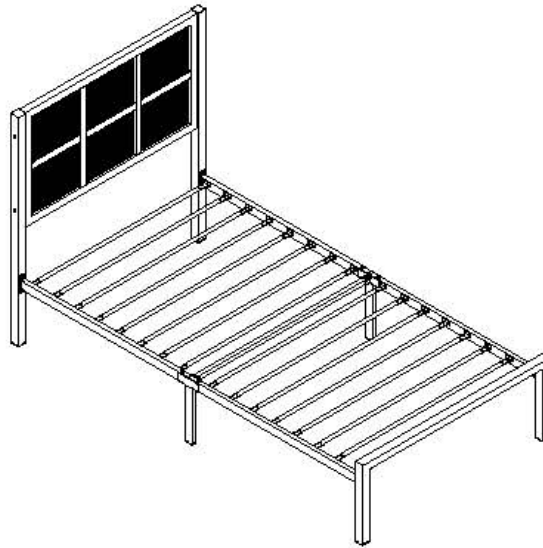
Hardware 4: 2 pcs


STEP 5



Note: Please do not tighten all bolts until the bed is assembled completely.

COMPLETED



 For items use on wooden floor, hard surfaces or carpets, it is recommended to install protective pads under all legs and supports to avoid/prevent from damages/scratches and discoloration.