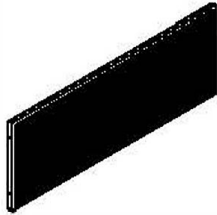


ASSEMBLY INSTRUCTION
ITEM NO: 191B1635DZF-1
QUEEN / FULL PLATFORM BED

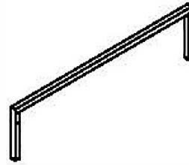
PART LIST:



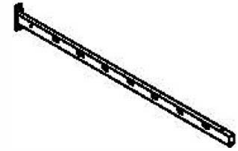
A: HEADBOARD LEGS
2PCS



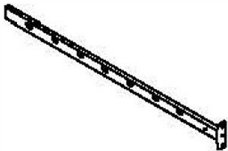
B: HEADBOARD
1PC



C: FOOTBOARD
1PC



D: SIDE RAIL
2PCS



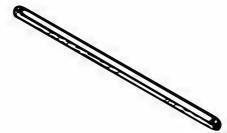
E: SIDE RAIL
2PCS



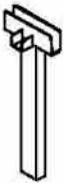
F: CENTER CROSS BAR
1PC



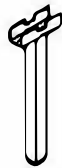
G: SIDE CROSS BAR
2PCS



H: CENTER RAIL SUPPORT BAR
2PCS



I: CENTER SLAT SUPPORT LEG
2PCS



J: CENTER RAIL SUPPORT LEG
1PC



K: CENTER RAIL SUPPORT LEG
2PCS



L: SLAT
14PCS



M: SLAT CONNECTOR
28PCS

HARDWARE SET:



1: Bolt
1/4*50mm
X 4pcs



2: Bolt
5/16*19mm
X 8pcs



3: Bolt
5/16*55mm
X 2pcs



4: Bolt
1/4*35mm
X 6pcs



5: Bolt
5/16*48mm
X 5pcs



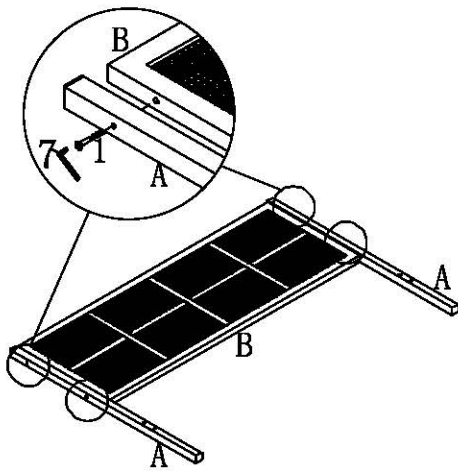
6: Bolt
5/16*34mm
X 2pcs



7: Allen Key
X 1pc

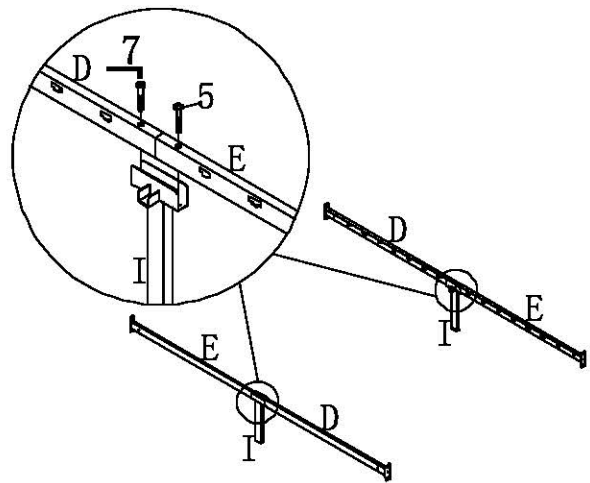
Note: Please do not tighten all bolts until the bed is assembled completely.

STEP 1



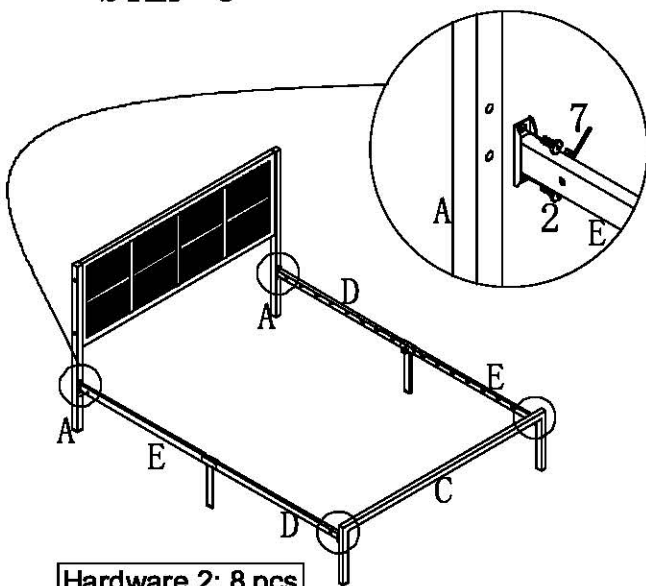
Hardware 1: 4 pcs

STEP 2



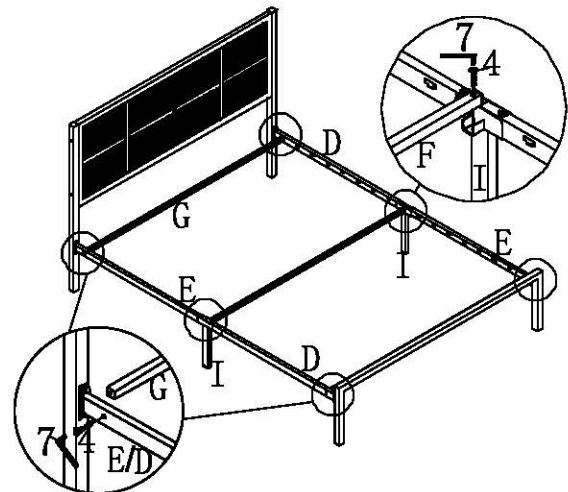
Hardware 5: 4 pcs

STEP 3



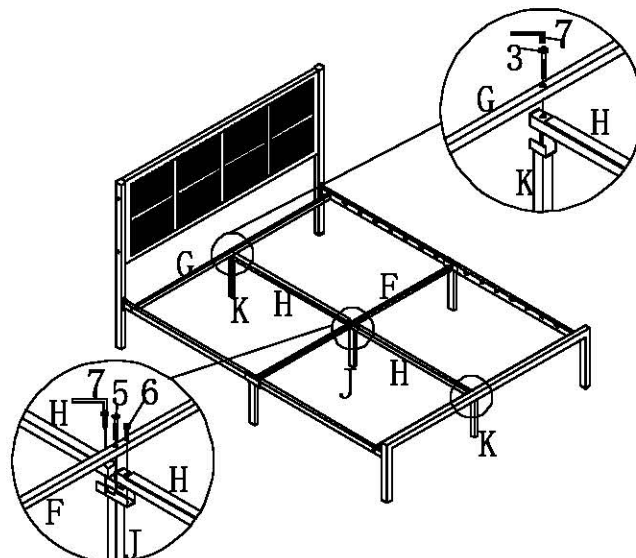
Hardware 2: 8 pcs

STEP 4



Hardware 4: 6 pcs

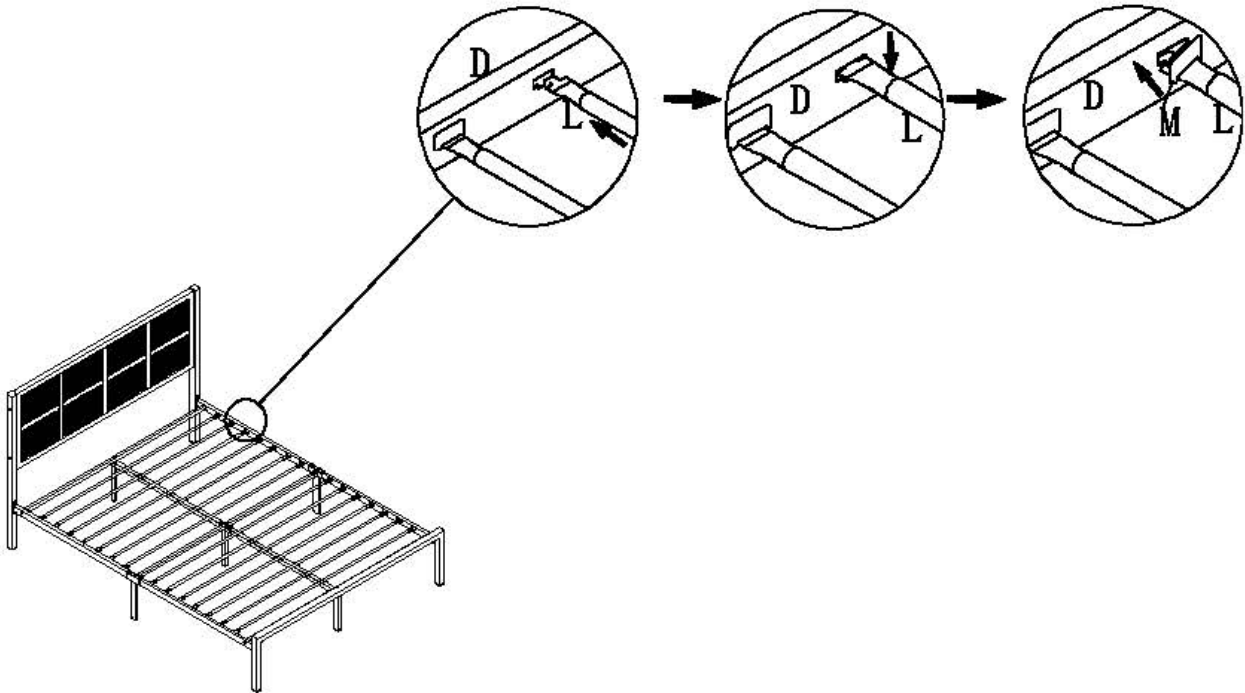
STEP 5



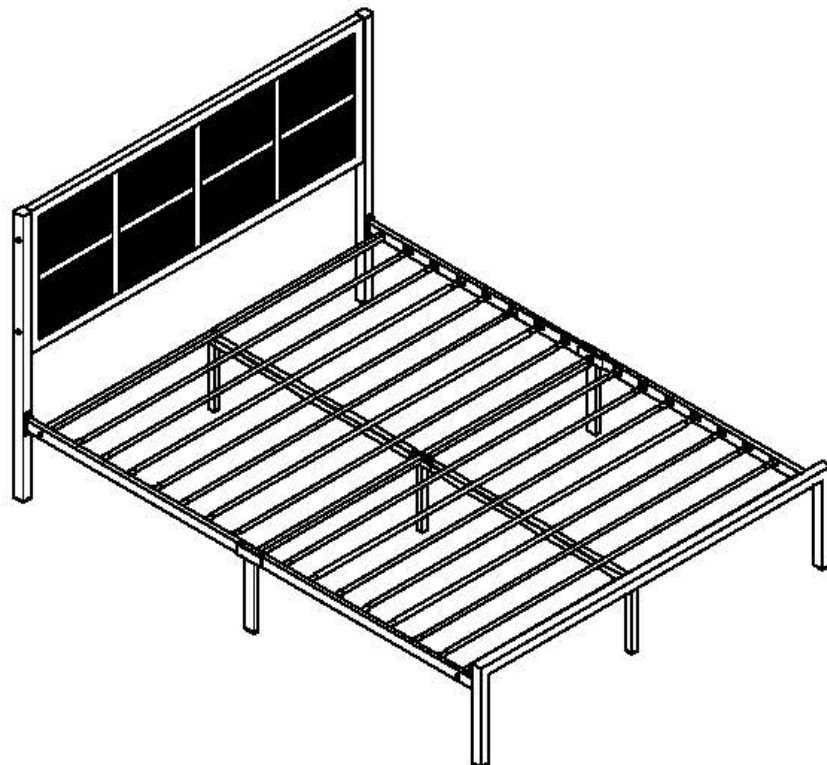
Hardware 3: 2 pcs
Hardware 5: 1 pcs
Hardware 6: 2 pcs


Note: Please do not tighten all bolts until the bed is assembled completely.

STEP 6



COMPLETED



 For items use on wooden floor, hard surfaces or carpets, it is recommended to install protective pads under all legs and supports to avoid/prevent from damages/scratches and discoloration.