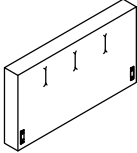
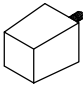


ASSEMBLY INSTRUCTIONS

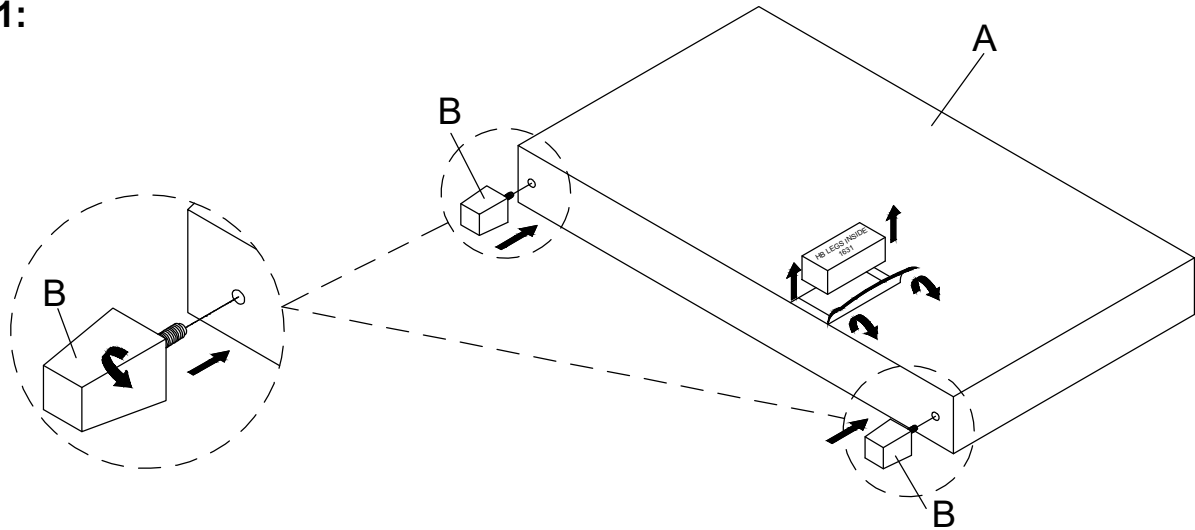
FULL UPH HEADBOARD

! It is recommended to install protective pads under all legs and supports to avoid damage or scratches when placing furniture on a wood floor or other hard surface, and to limit indentation and prevent discoloration if placing on carpet.

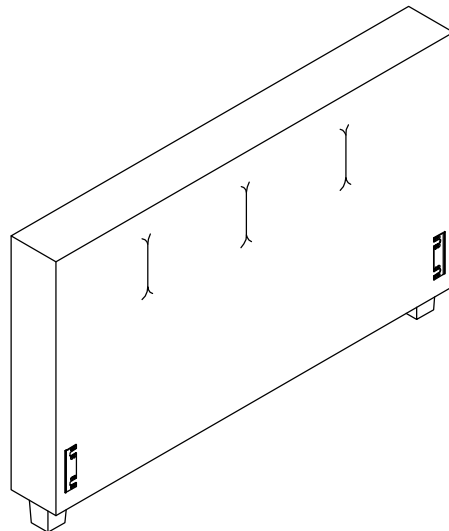
PARTS LIST

NO.	DRAWING	QTY	DESCRIPTION
A		1 PC	HEADBOARD
B		2 PCS	LEGS

STEP 1:



STEP 2: COMPLETED



CARE INTRUCTION FOR FABRIC FURNITURE

In order to maintain the original appearance of your funiture, please follow below care procedures.

°Avoid exposing furniture directly to sunlight or heating and air conditioning outlets. Sunlight and / or exposure to heading and air conditioning outlets will fade/damage fabric. Do not place your upholstered furniture too close to windows, radiators, r vents and be sure to use window treatments to block the sun's rays.

°Wipe with a soft brush to remove dust.

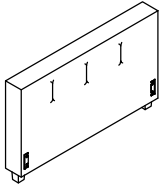
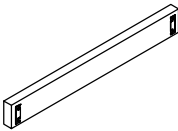
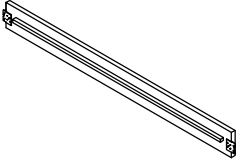
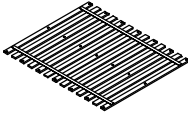
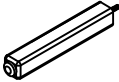
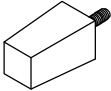

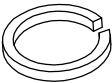
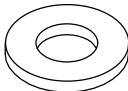

ASSEMBLY INSTRUCTION

FULL UPH HEADBOARD

FULL UPH FOOTBOARD/ SIDE RAILS/ SLATS

! It is recommended to install protective pads under all legs and supports to avoid damage or scratches when placing furniture on a wood floor or other hard surface, and to limit indentation and prevent discoloration if placing on carpet.

PARTS LIST

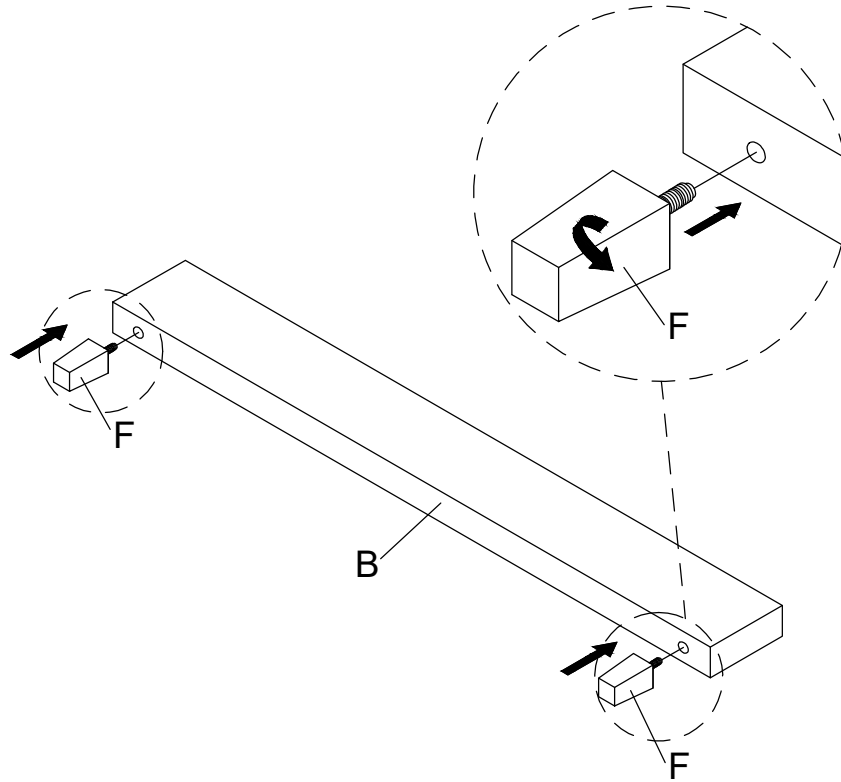
NO.	DRAWING	QTY	DESCRIPTION
A		1 PC	HEADBOARD
B		1 PC	FOOTBOARD
C		2 PCS	SIDE RAIL
D		1 SET	SLAT ROLL (13 PCS)
E		7 PCS	SLAT SUPPORT LEG
F		2 PCS	LEGS
1		14 PCS	BOLT Ø1/4"-20 x 1-1/2"L
2		14 PCS	SPRING WASHER Ø1/4" x 1/2" x 2mmT
3		14 PCS	FLAT WASHER Ø1/4" x 3/4" x 2mmT
4		1 PC	ALLEN KEY 1/6" x 2-3/8"L

ASSEMBLY INSTRUCTION

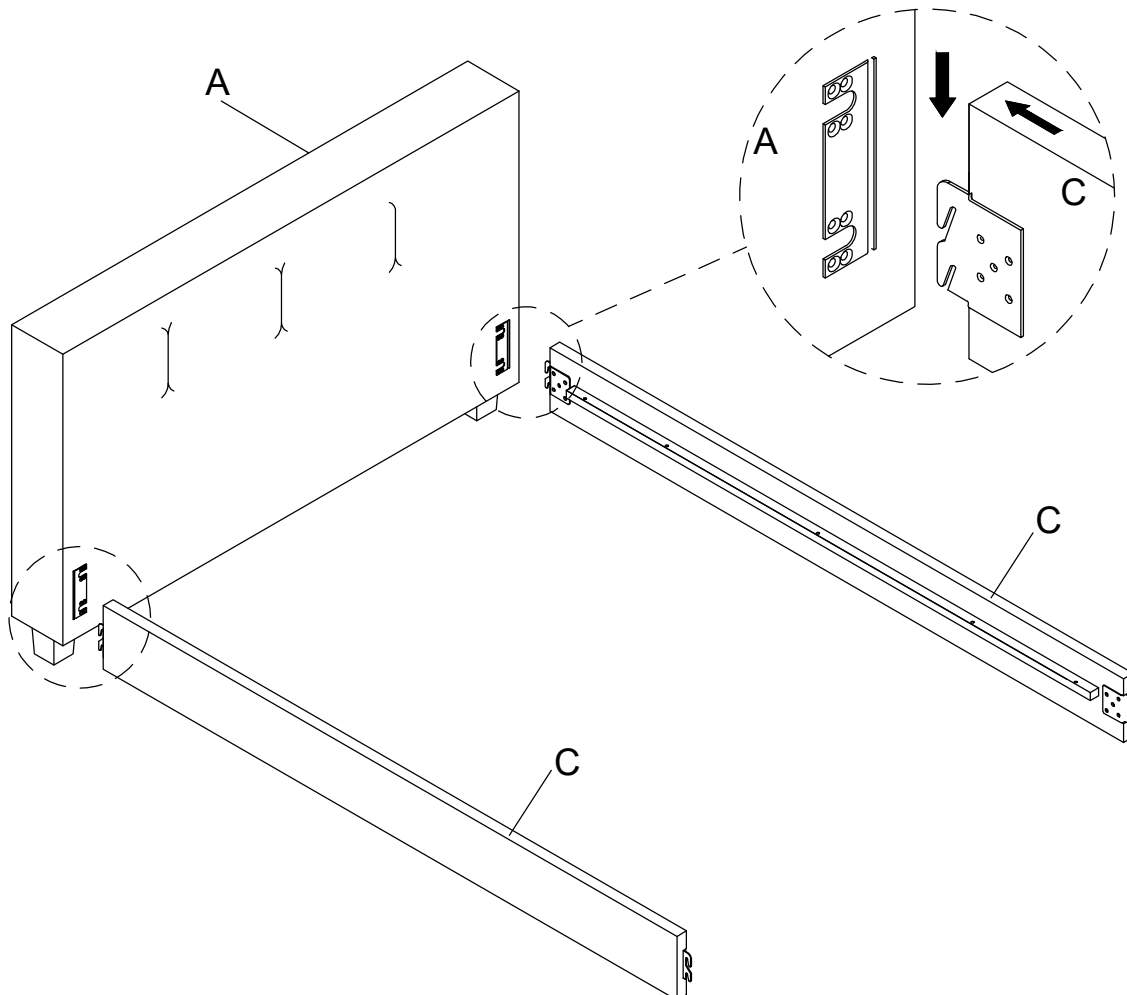
FULL UPH HEADBOARD

FULL UPH FOOTBOARD/ SIDE RAILS/ SLATS

STEP 1:



STEP 2:

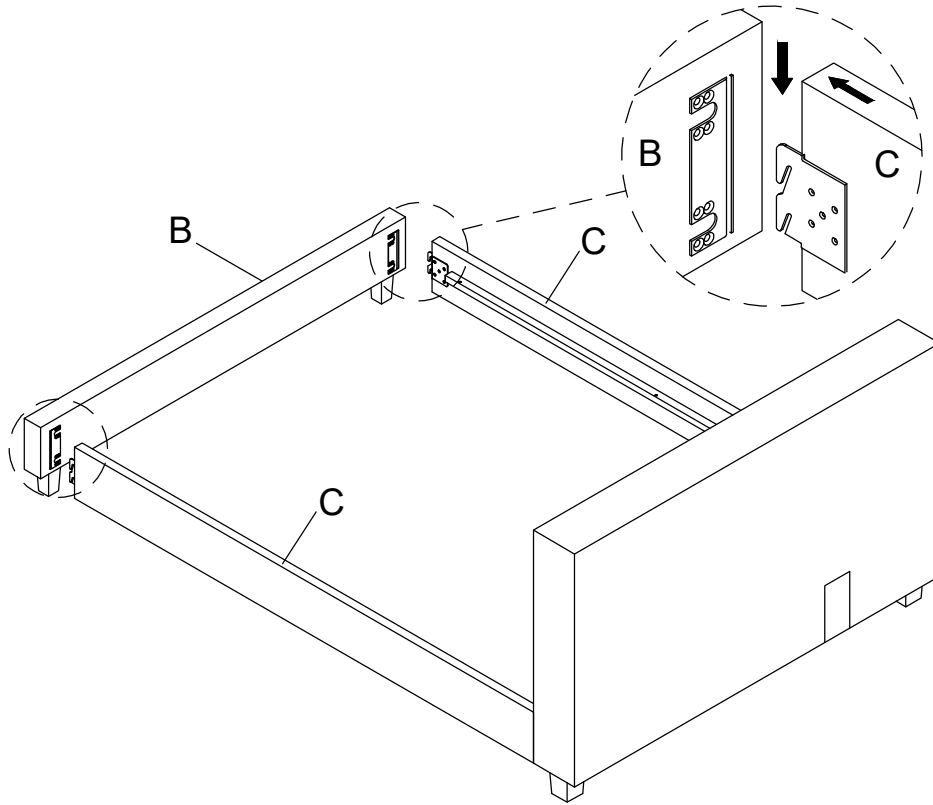


ASSEMBLY INSTRUCTION

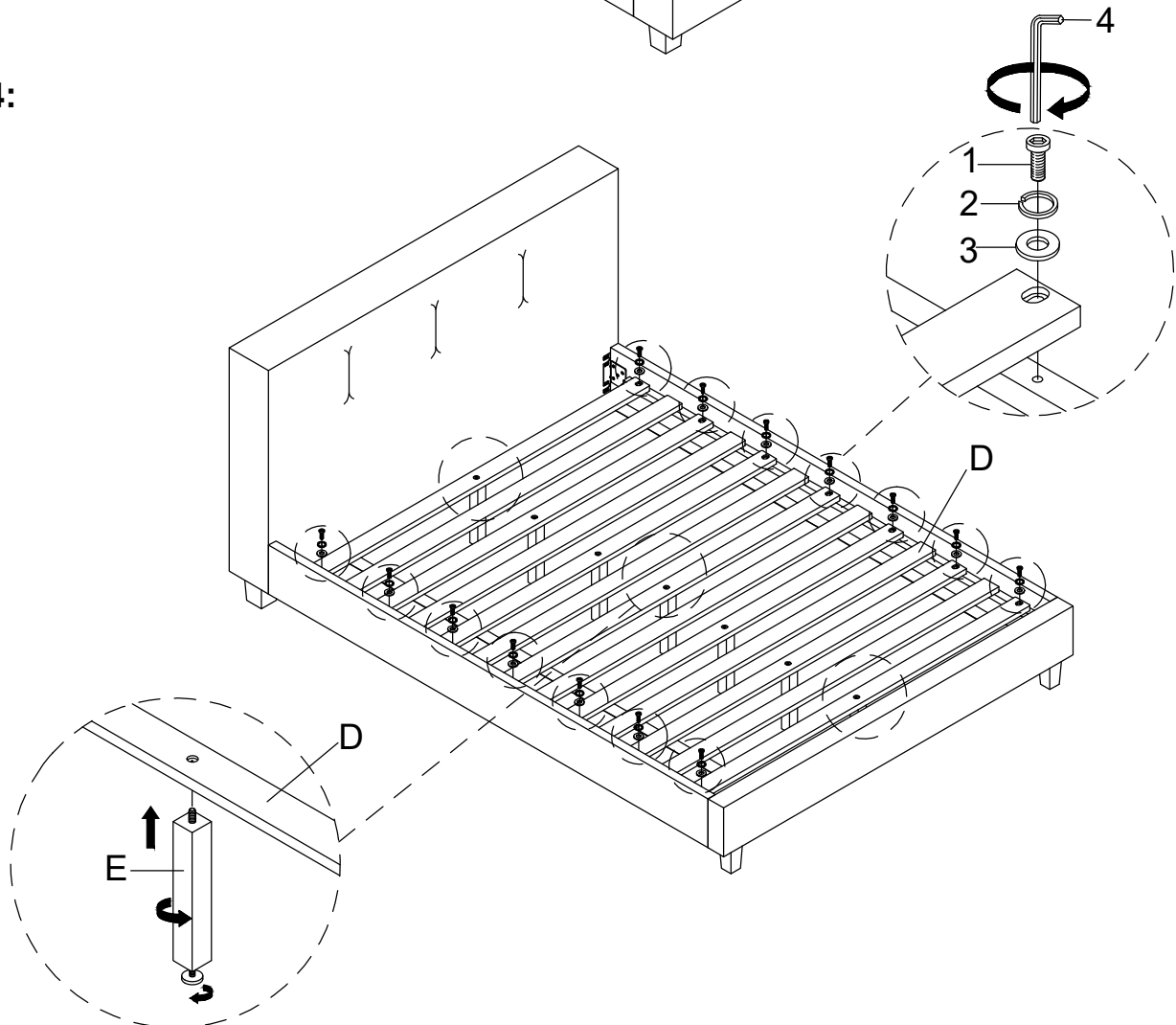
FULL UPH HEADBOARD

FULL UPH FOOTBOARD/ SIDE RAILS/ SLATS

STEP 3:



STEP 4:

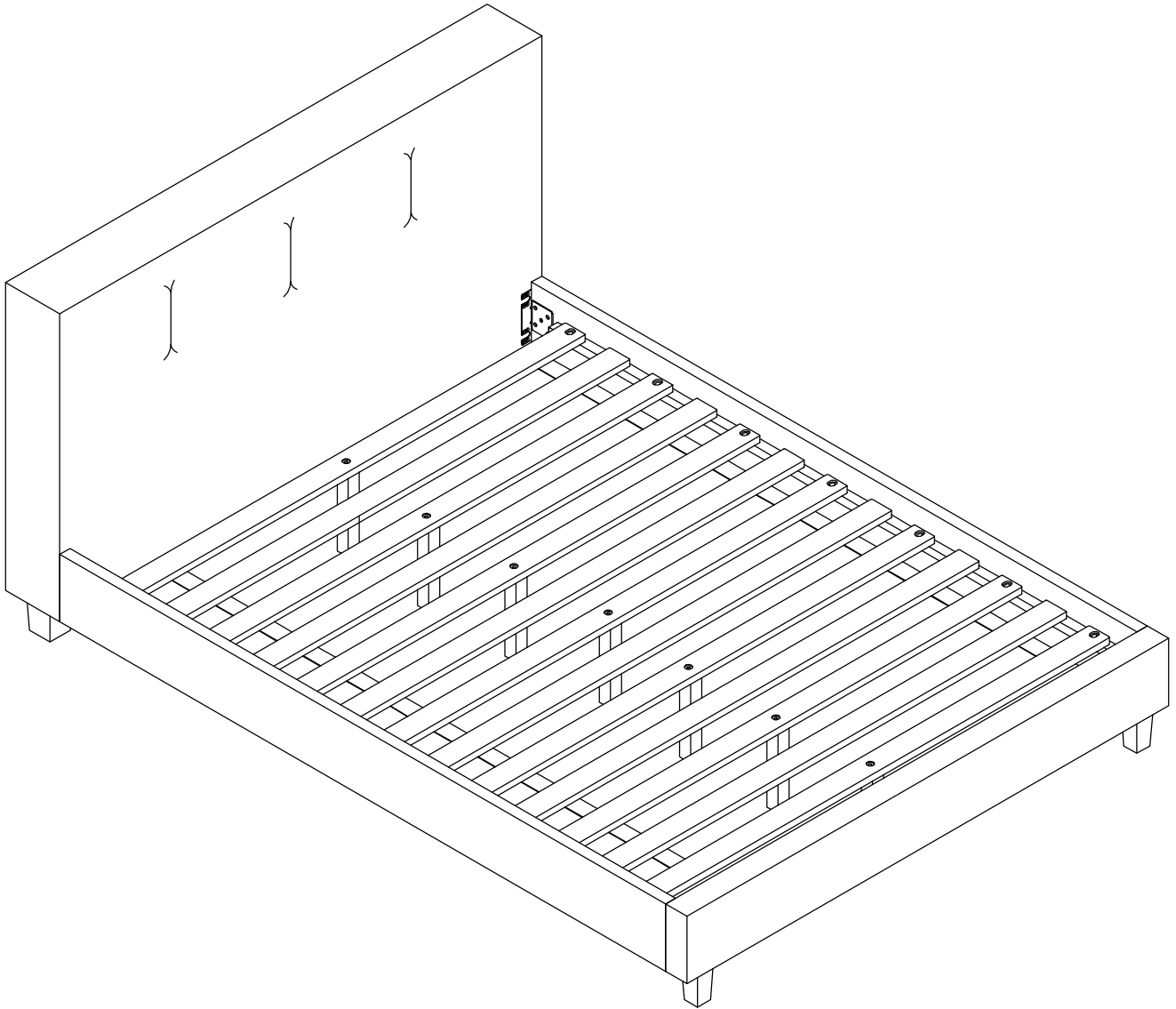


ASSEMBLY INSTRUCTION

FULL UPH HEADBOARD

FULL UPH FOOTBOARD/ SIDE RAILS/ SLATS

STEP 5: COMPLETED



CARE INTRUCTION FOR FABRIC FURNITURE

In order to maintain the original appearance of your funiture, please follow below care procedures.

°Avoid exposing furniture directly to sunlight or heating and air conditioning outlets. Sunlight and / or exposure to heading and air conditioning outlets will fade/damage fabric. Do not place your upholstered furniture too close to windows, radiators, r vents and be sure to use window treatments to block the sun's rays.

°Wipe with a soft brush to remove dust.