

# ASSEMBLY INSTRUCTION

## ITEM NO:191B1611T-1

### TWIN METAL BED

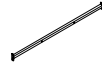
**PART LIST:**



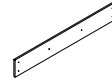
A: LSF HB FOR  
ALL SIZE BED  
1PCS



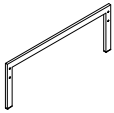
B: RSF HB LEG FOR  
ALL SIZE BED  
1PCS



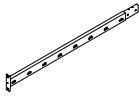
C: HEADBOARD CONNECTOR  
BAR  
3PCS



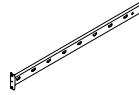
D: HEADBOARD  
3PCS



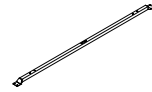
E: FOOTBOARD  
1PC



F: SIDE RAIL  
2PCS



G: SIDE RAIL  
2PCS



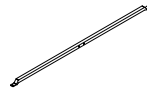
H: CENTER CROSS BAR  
1PC



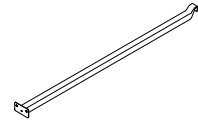
I: SUPPORT LEG  
3PCS



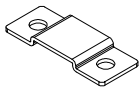
J: SUPPORT LEG  
2PCS



K: SIDE CROSS BAR  
2PCS



L: CENTER RAIL  
SUPPORT BAR  
2PCS



M: BRACKET  
1PC

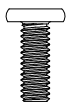


N: SLAT  
14PCS



O: SLAT CONNECTOR  
28PCS

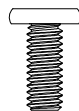
**HARDWARE SET:**



1: Bolt  
1/4\*17.5mm  
X 12pcs



2: Bolt  
1/4\*22mm  
X 4pcs



3: Bolt  
5/16\*19mm  
X 8pcs



4: Bolt  
1/4\*40mm  
X 4pcs



5: Bolt  
1/4\*32mm  
X 16pcs



6: Nut  
1/4  
X 4pcs



7: Washer  
1/4  
X 20psc



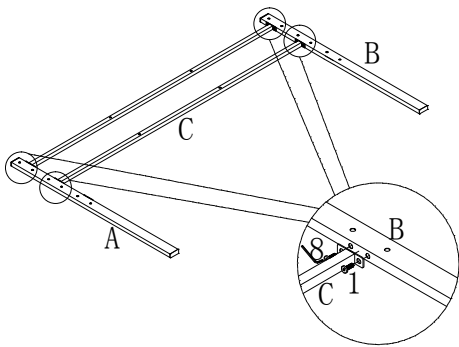
8: L-Allen Key  
X 1pc



9: Wrench  
X 1PC

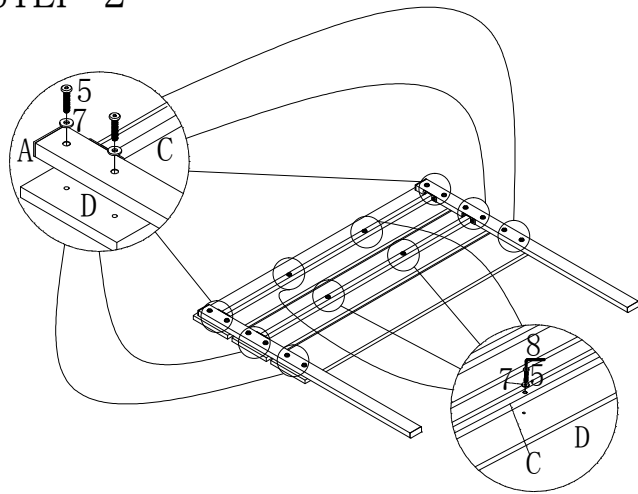
Note: Please do not tighten all bolts until the bed is assembled completely.

STEP 1



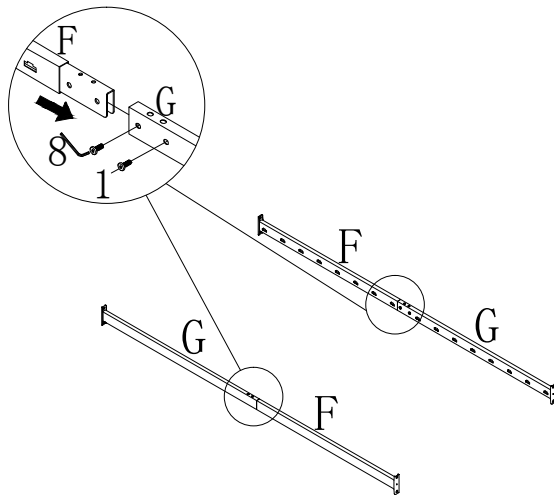
Hardware 1: 8 pcs

STEP 2



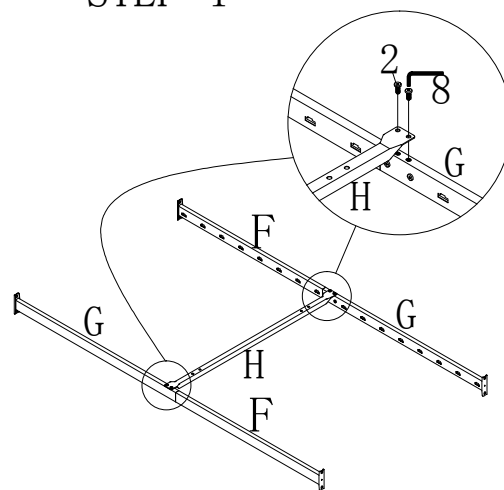
Hardware 5: 16 pcs

STEP 3



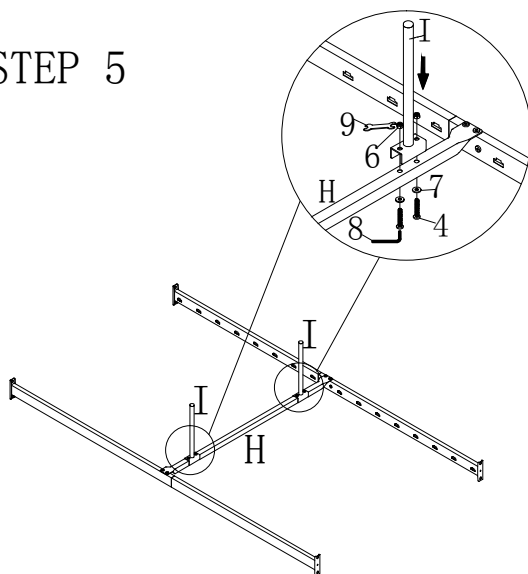
Hardware 1: 4 pcs

STEP 4



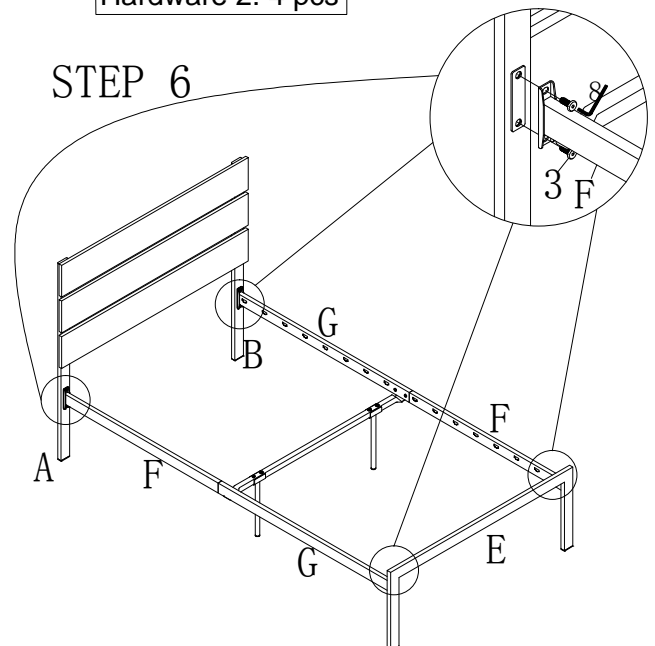
Hardware 2: 4 pcs

STEP 5



Hardware 4: 4 pcs  
Hardware 6: 4 pcs  
Hardware 7: 4 pcs

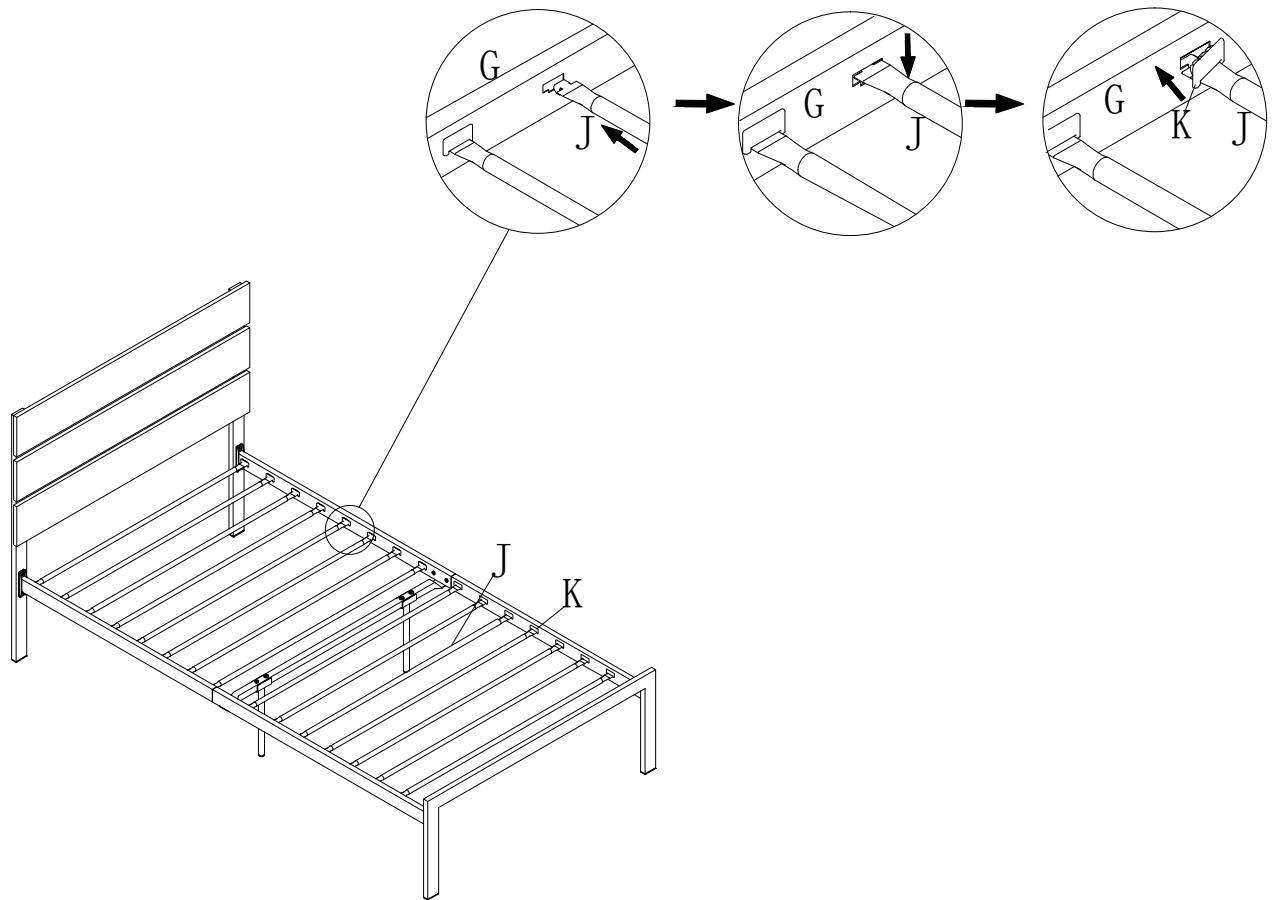
STEP 6



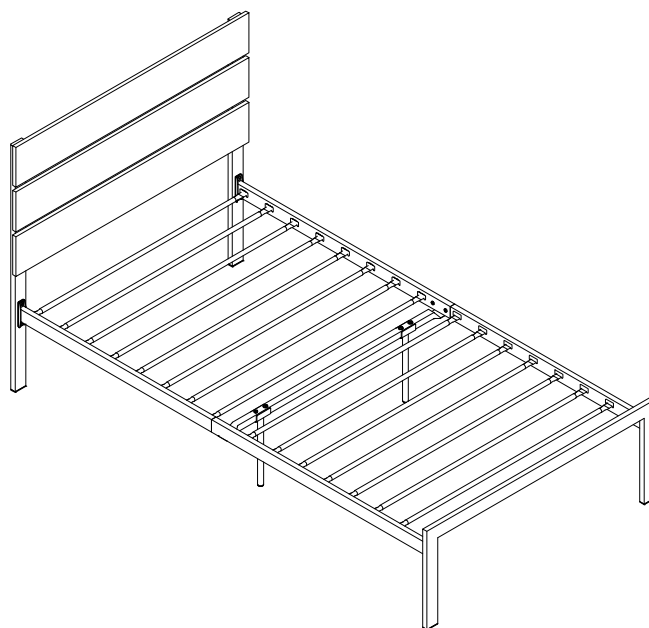
Hardware 3: 8 pcs

Note: Please do not tighten all bolts until the bed is assembled completely.

## STEP 9



COMPLETED



For items use on wooden floor, hard surfaces or carpets, it is recommended to Install protective pads under all legs and supports to avoid/prevent from damages/scratches and discoloration.