

ASSEMBLY INSTRUCTION

ITEM NO:191B1611-1

QUEEN METAL BED

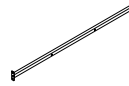
PART LIST:



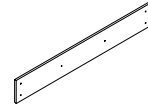
A: LSF HB FOR ALL SIZE BED
1PCS



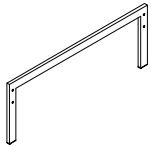
B: RSF HB LEG FOR ALL SIZE BED
1PCS



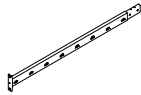
C: HEADBOARD CONNECTOR BAR
3PCS



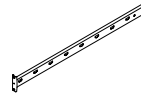
D: HEADBOARD
3PCS



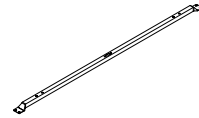
E: FOOTBOARD
1PC



F: SIDE RAIL
2PCS



G: SIDE RAIL
2PCS



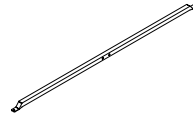
H: CENTER CROSS BAR
1PC



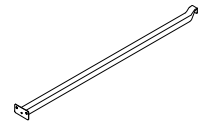
I: SUPPORT LEG
3PCS



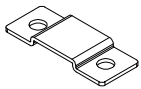
J: SUPPORT LEG
2PCS



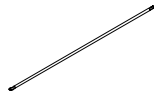
K: SIDE CROSS BAR
2PCS



L: CENTER RAIL SUPPORT BAR
2PCS



M: BRACKET
1PC

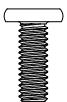


N: SLAT
14PCS



O: SLAT CONNECTOR
28PCS

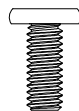
HARDWARE SET:



1: Bolt
1/4*17.5mm
X 20pcs



2: Bolt
1/4*22mm
X 12pcs



3: Bolt
5/16*19mm
X 8pcs



4: Bolt
1/4*40mm
X 6pcs



5: Bolt
1/4*32mm
X 18pcs



6: Nut
1/4
X 6pcs



7: Washer
1/4
X 22pcs



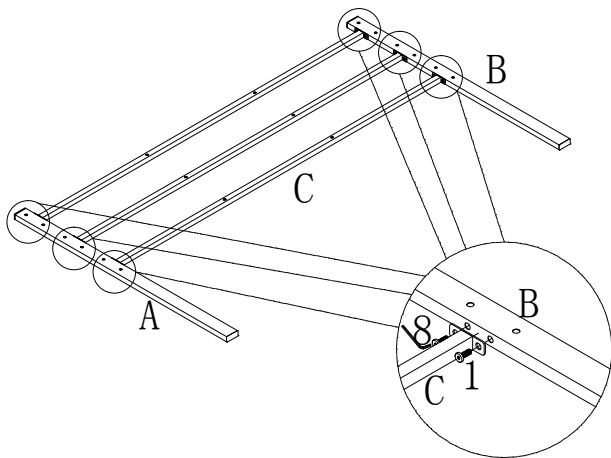
8: L-Allen Key
X 1pc



9: Wrench
X 1PC

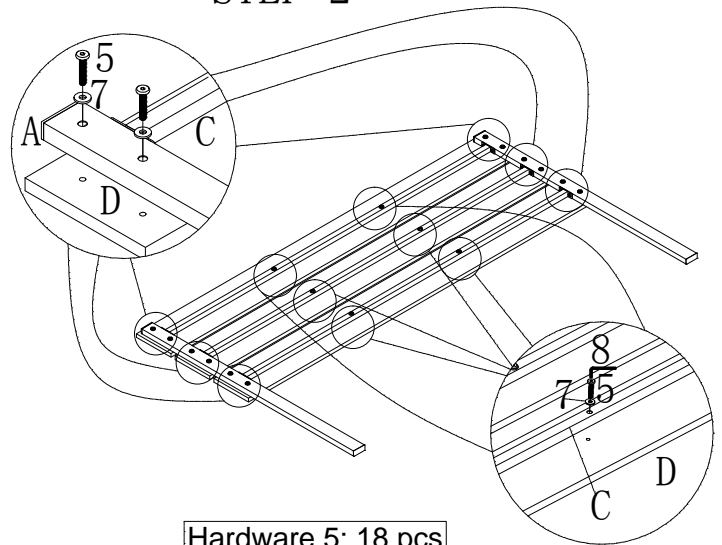
Note: Please do not tighten all bolts until the bed is assembled completely.

STEP 1



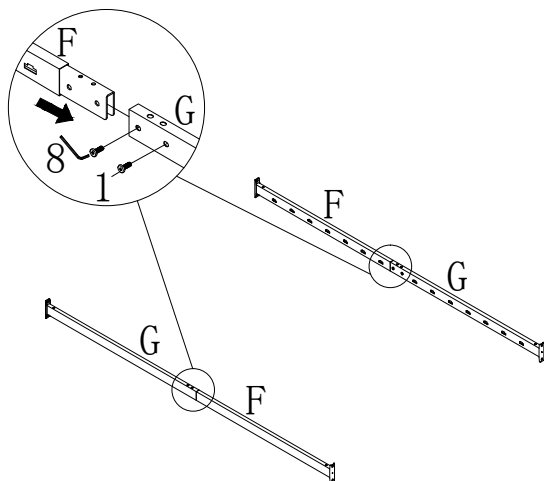
Hardware 1: 12 pcs

STEP 2



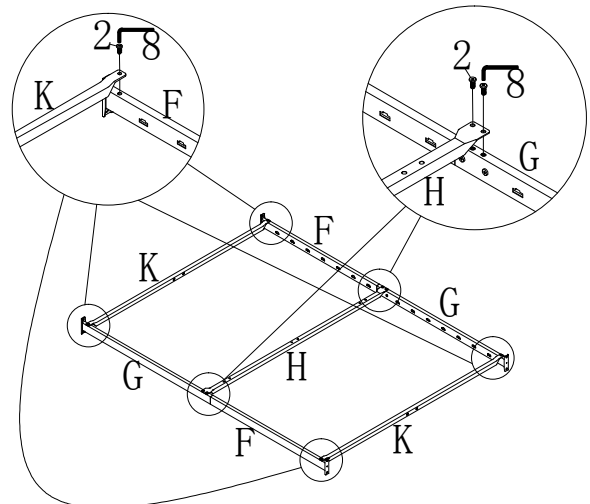
Hardware 5: 18 pcs

STEP 3



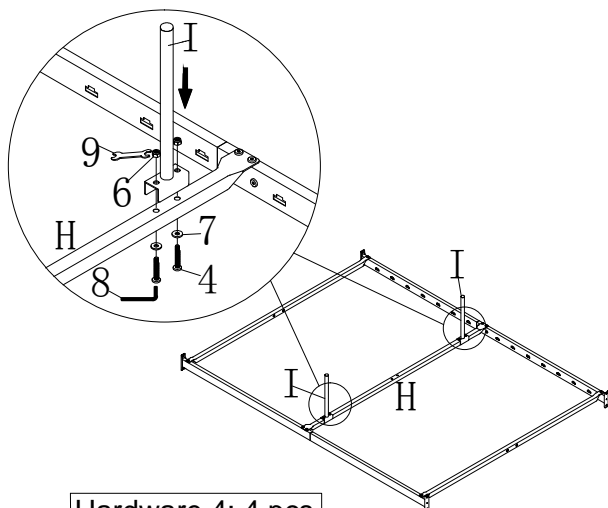
Hardware 1: 4 pcs

STEP 4



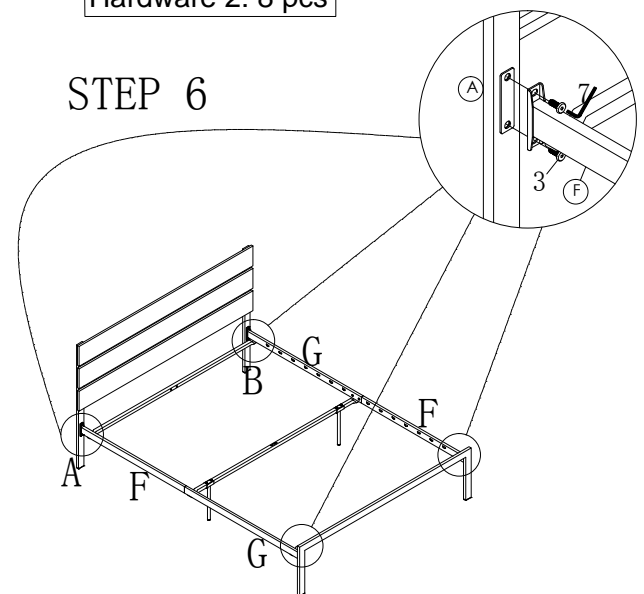
Hardware 2: 8 pcs

STEP 5



Hardware 4: 4 pcs
Hardware 6: 4 pcs
Hardware 7: 4 pcs

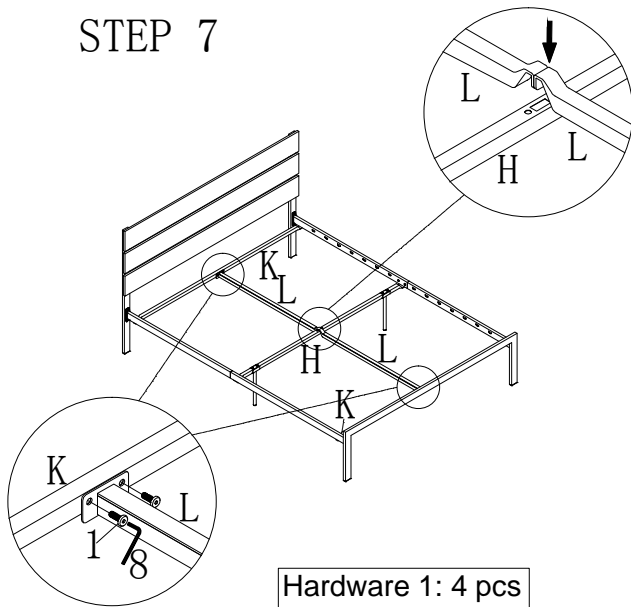
STEP 6



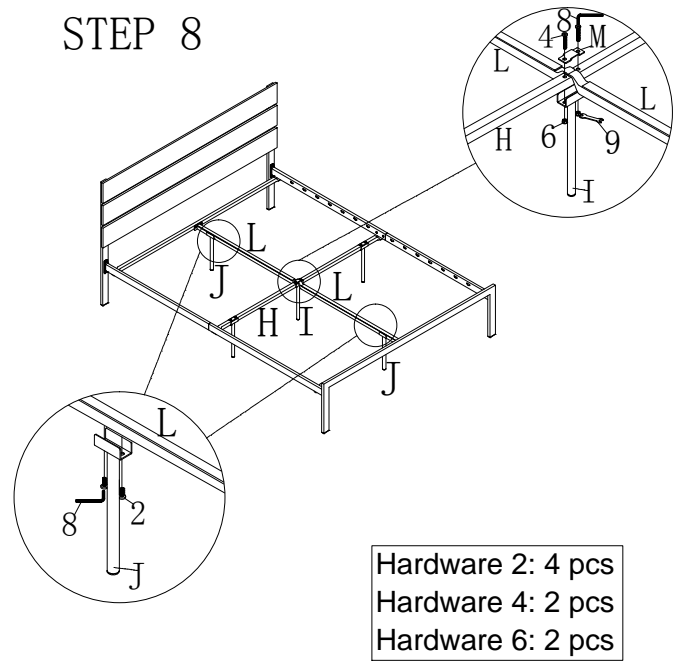
Hardware 3: 8 pcs

Note: Please do not tighten all bolts until the bed is assembled completely.

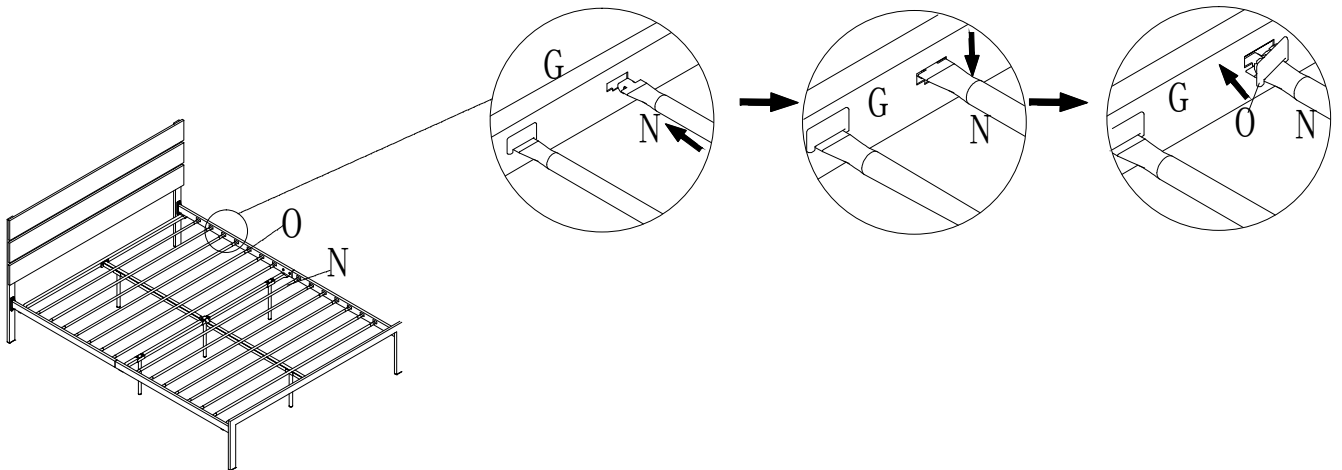
STEP 7



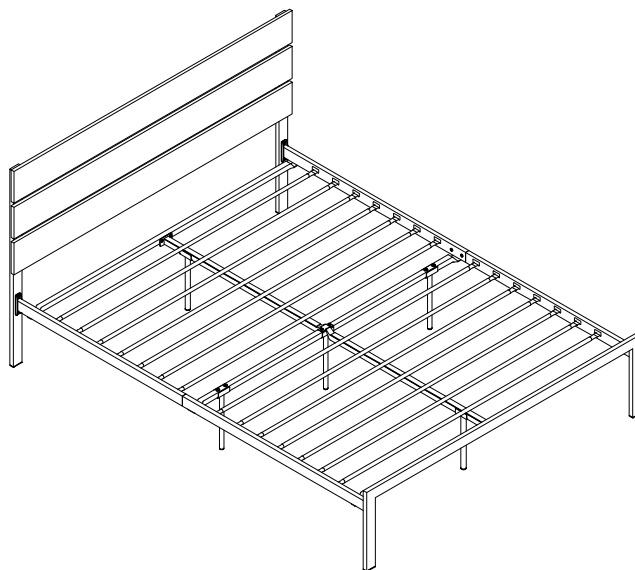
STEP 8



STEP 9



COMPLETED



For items use on wooden floor, hard surfaces or carpets, it is recommended to Install protective pads under all legs and supports to avoid/prevent from damages/scratches and discoloration.