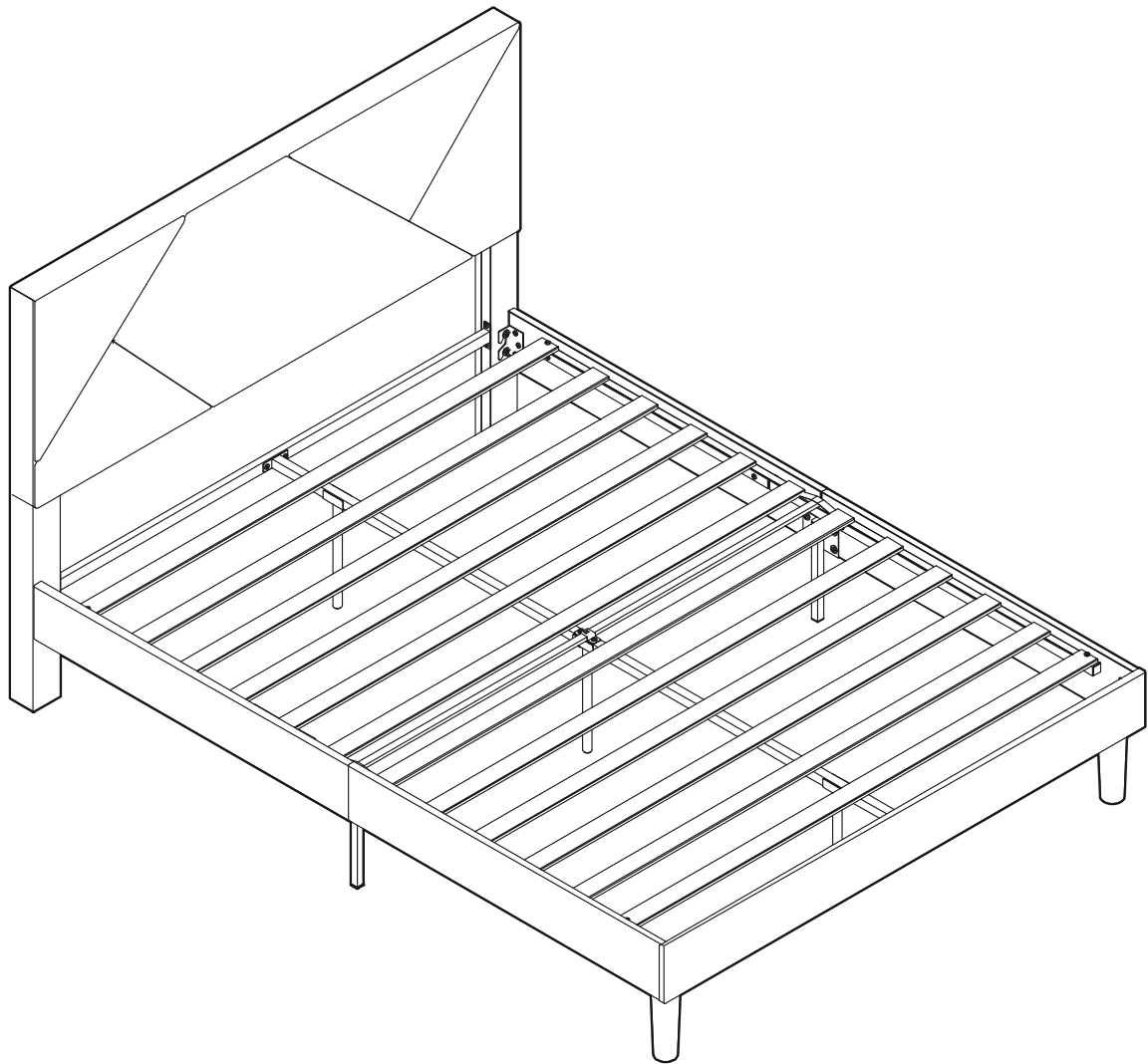
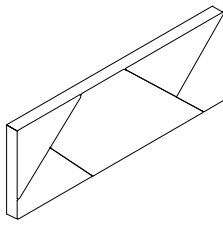


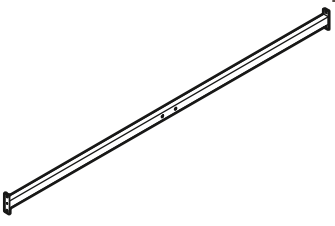
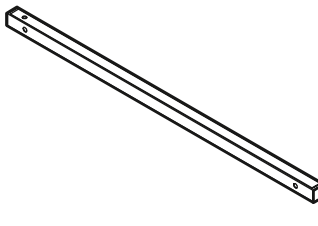
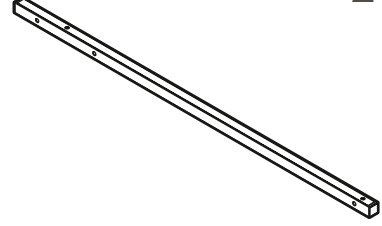
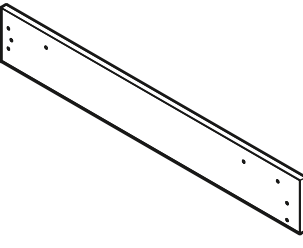
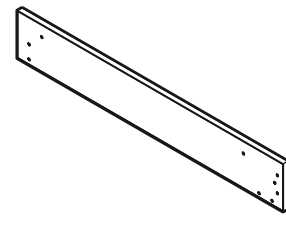
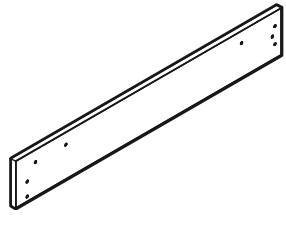
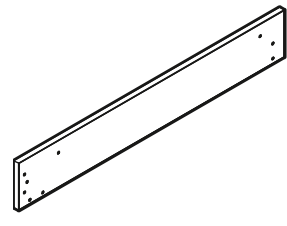
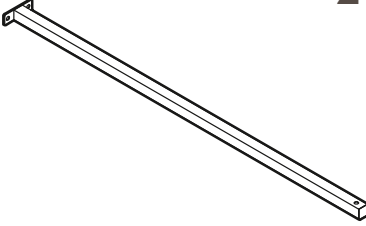
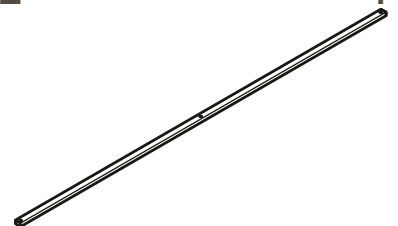
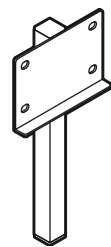
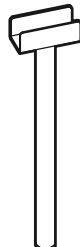
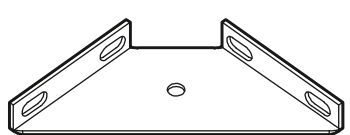

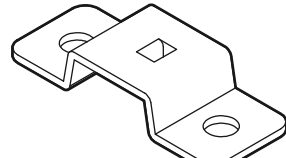
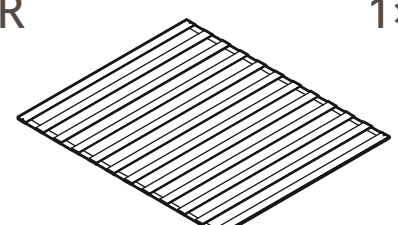


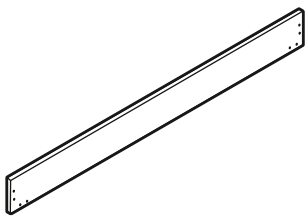
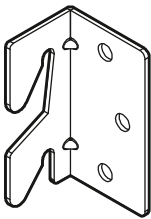
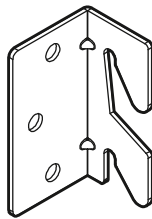
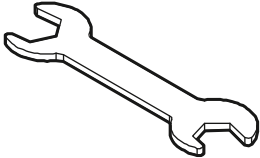








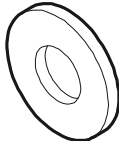

ASSEMBLY INSTRUCTION

ITEM NO: 191B1610GYF-1
FULL PLATFORM BED



PARTS LIST

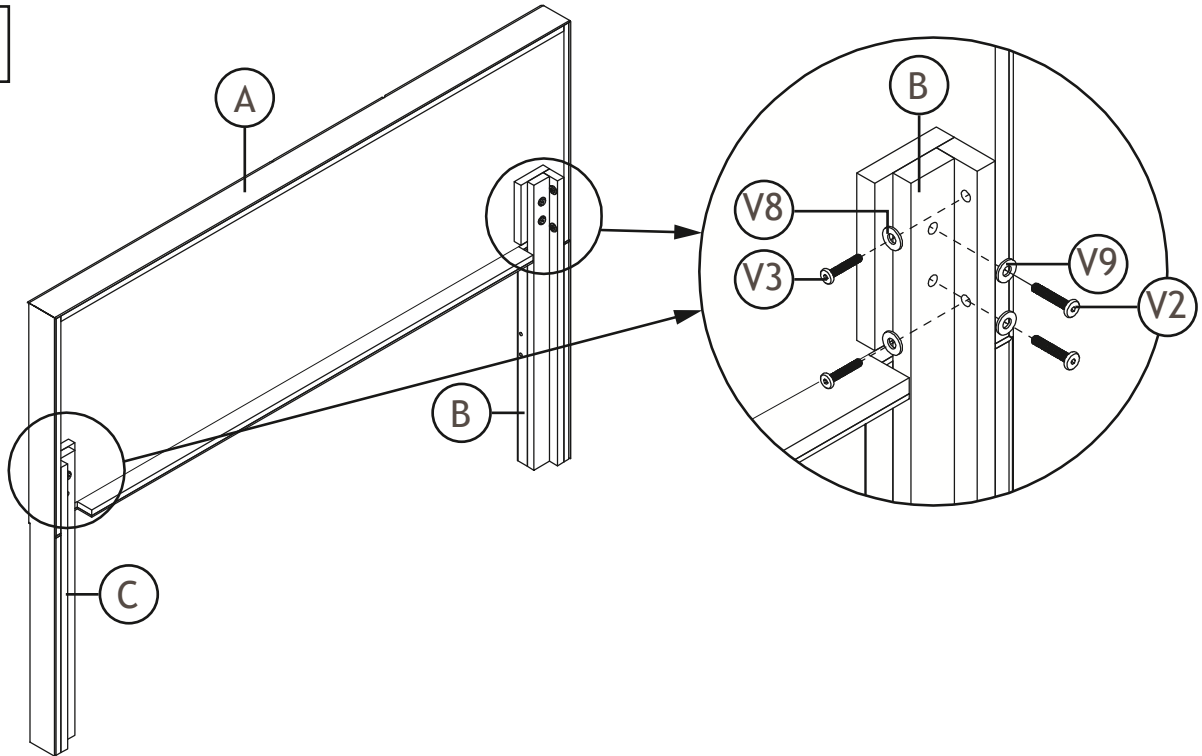
<p>A</p>  <p>1×</p>	<p>B</p>  <p>1×</p>	<p>C</p>  <p>1×</p>
<p>D</p>  <p>1×</p>	<p>E</p>  <p>2×</p>	<p>F</p>  <p>2×</p>
<p>G</p>  <p>1×</p>	<p>H</p>  <p>1×</p>	<p>I</p>  <p>1×</p>
<p>J</p>  <p>1×</p>	<p>K</p>  <p>2×</p>	<p>L</p>  <p>1×</p>
<p>M</p>  <p>2×</p>	<p>N</p>  <p>3×</p>	<p>O</p>  <p>2×</p>
<p>P</p>  <p>2×</p>	<p>Q</p>  <p>1×</p>	<p>R</p>  <p>1×</p>

S	1×	T1	2×	T2	2×
					
U	1×	V1	44×	V2	4×
					
		1/4"×19		5/16"×40	
V3	4×	V4	12×	V5	10×
					
1/4"×35		1/4"×40		1/4"×30	
V6	2×	V7	2×	V8	20×
					
1/4"		M8		1/4"	
V9	4×	V10			1×
					
5/16"					

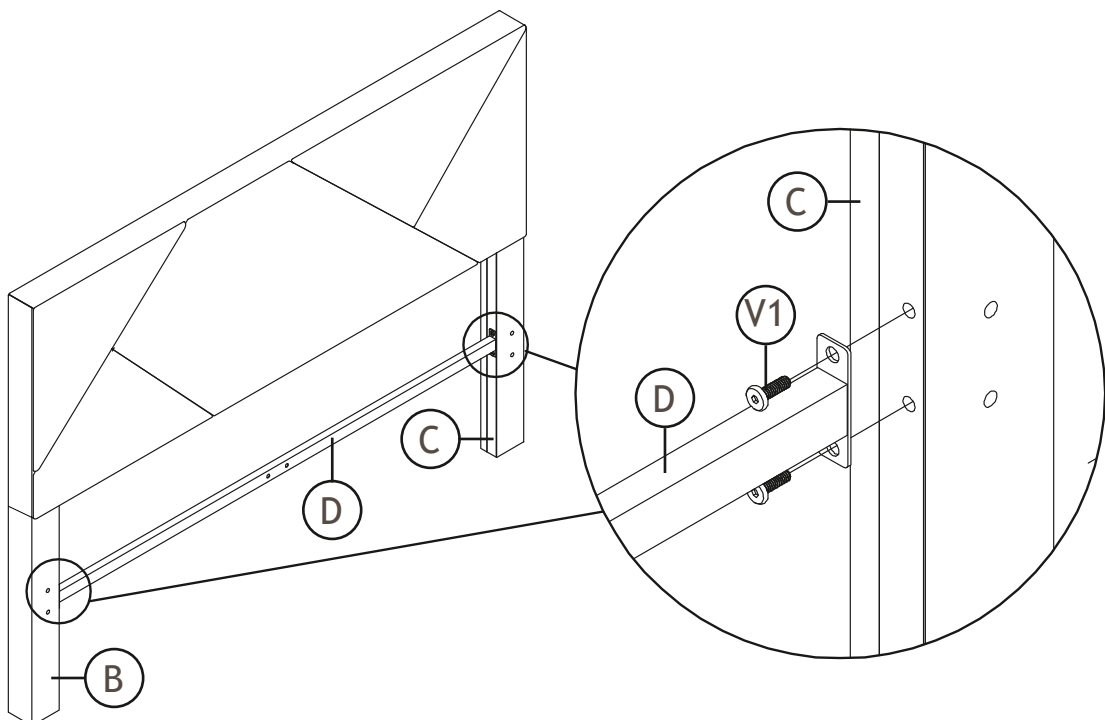
ASSEMBLY

Before your installation, please make sure that you have all the parts listed on the manual. If you find something missing, stop installing and contact your supplier immediately.

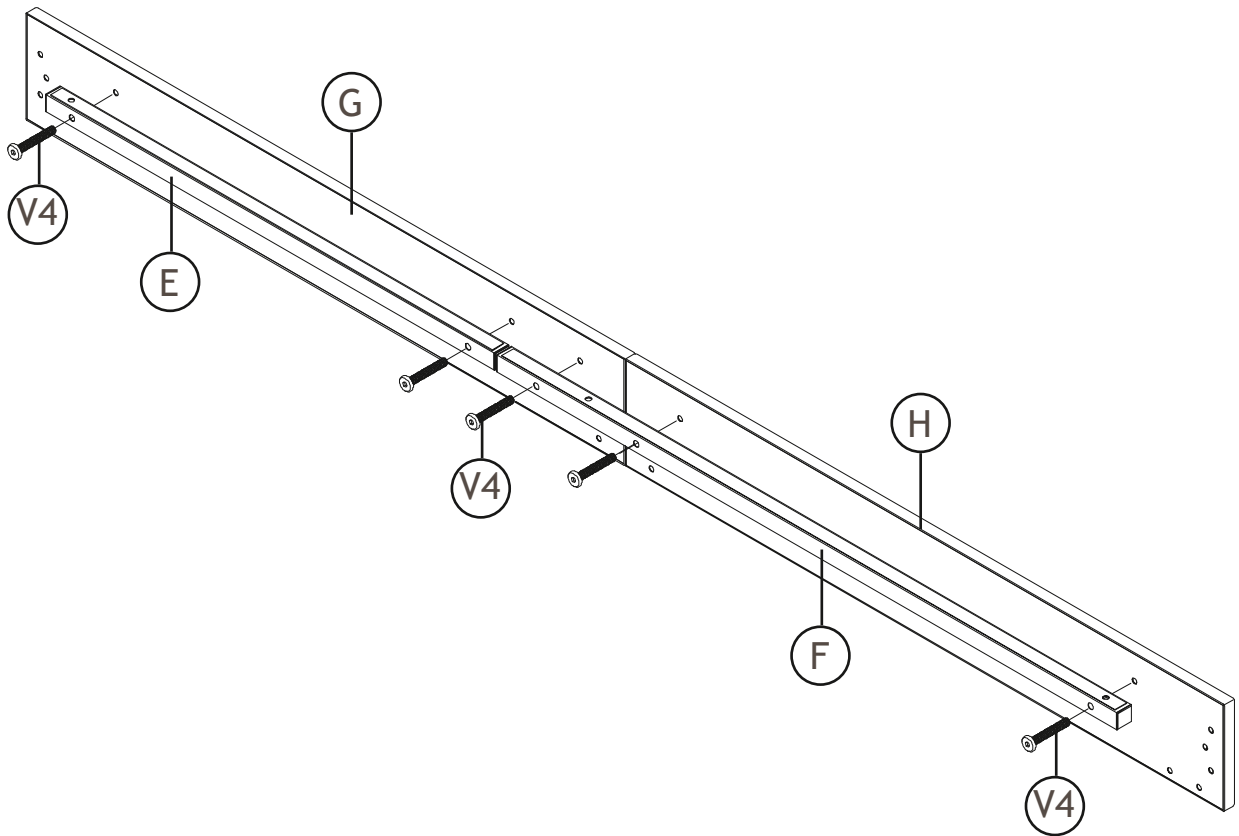
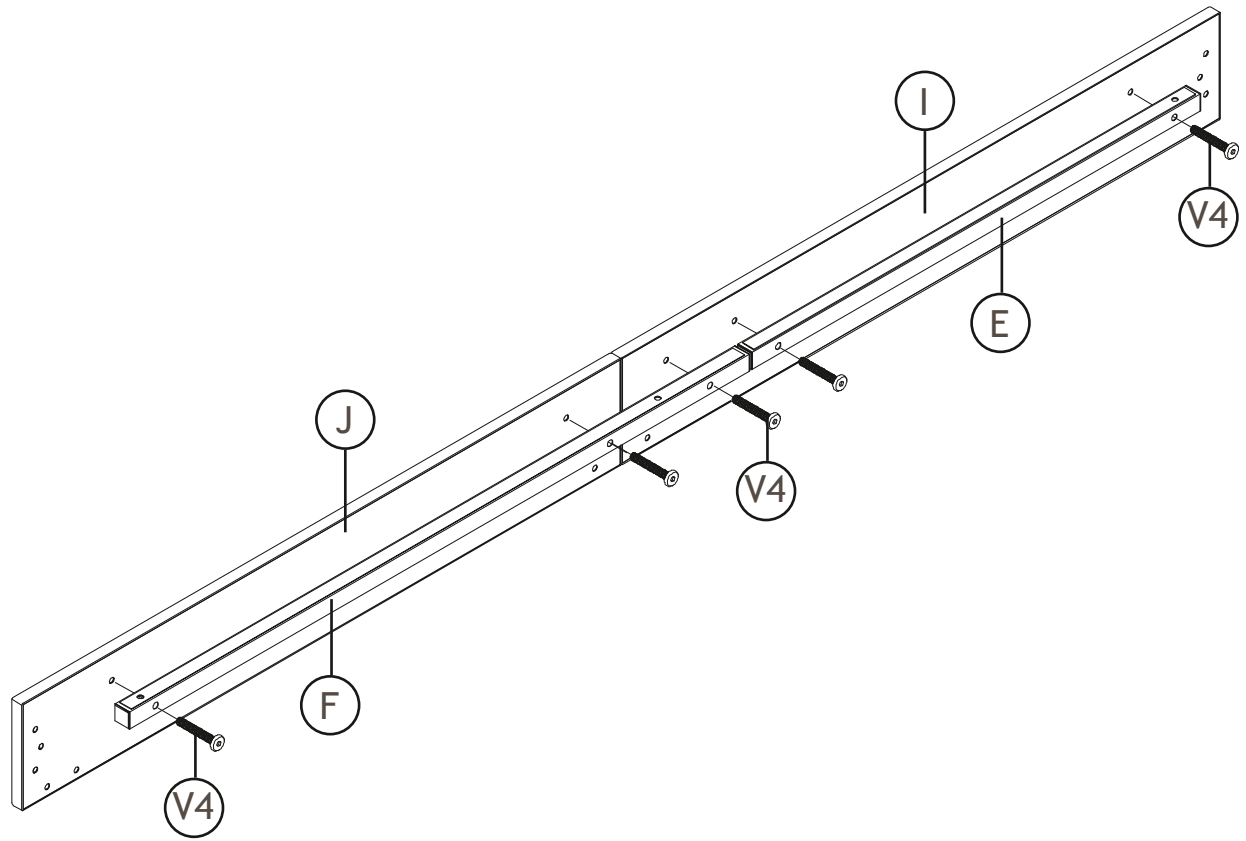
1

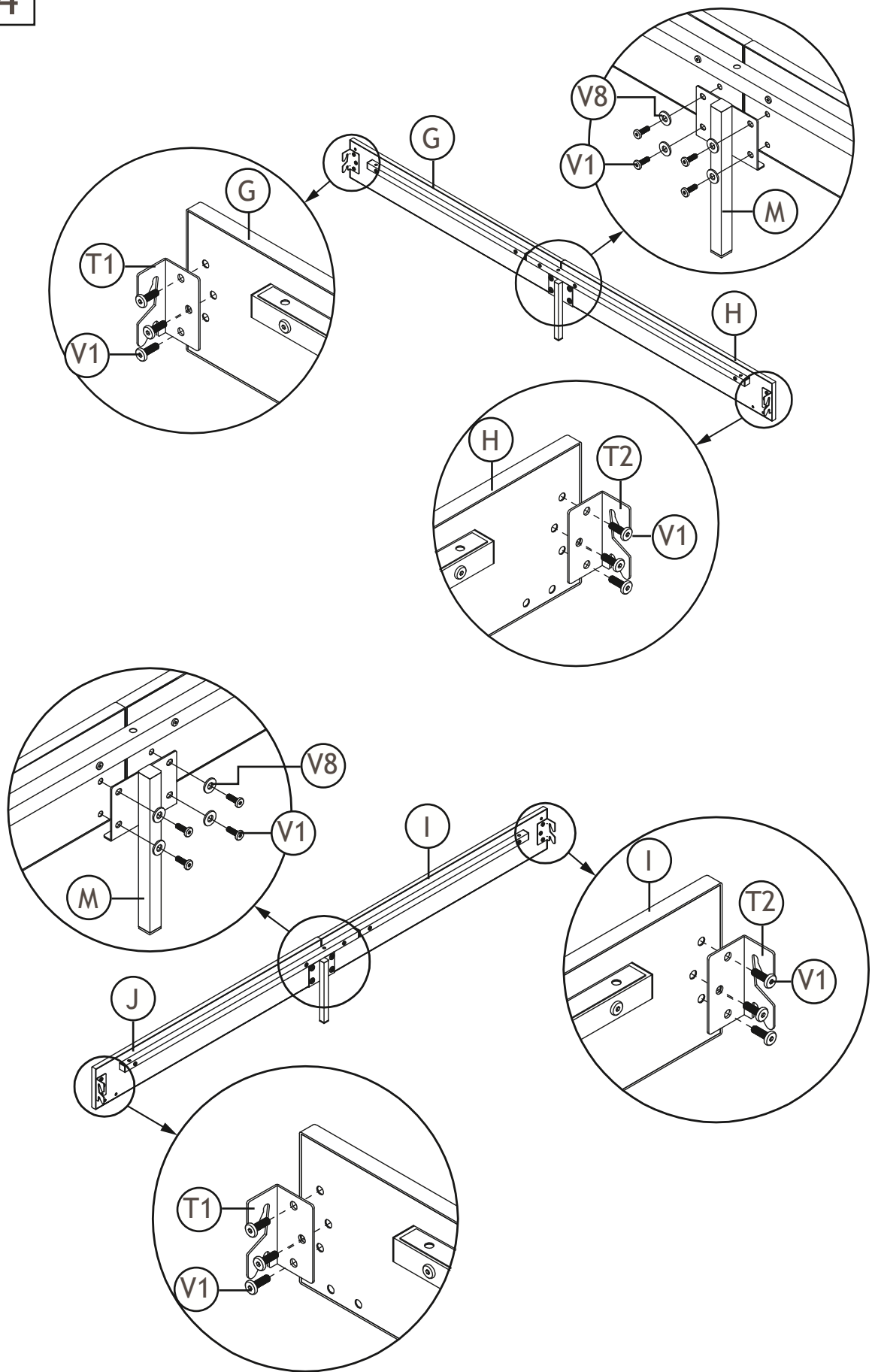


2

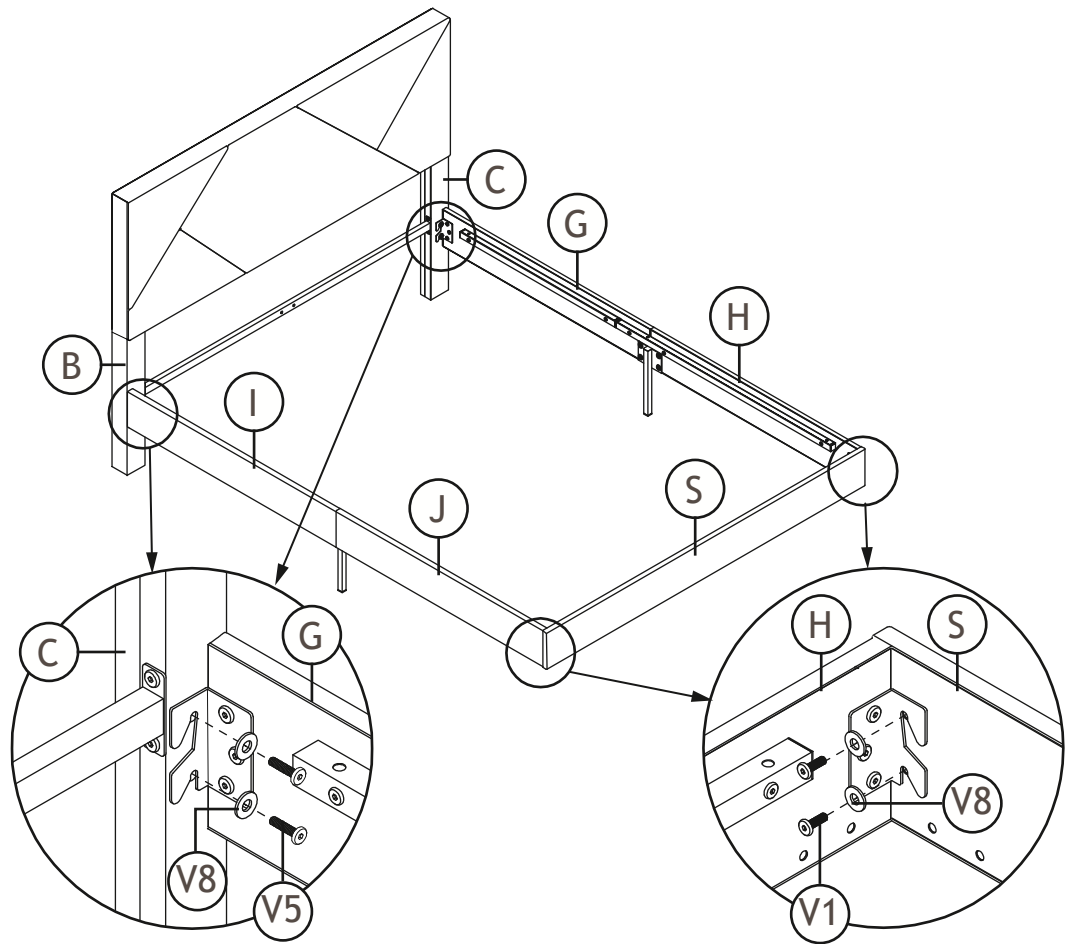


3

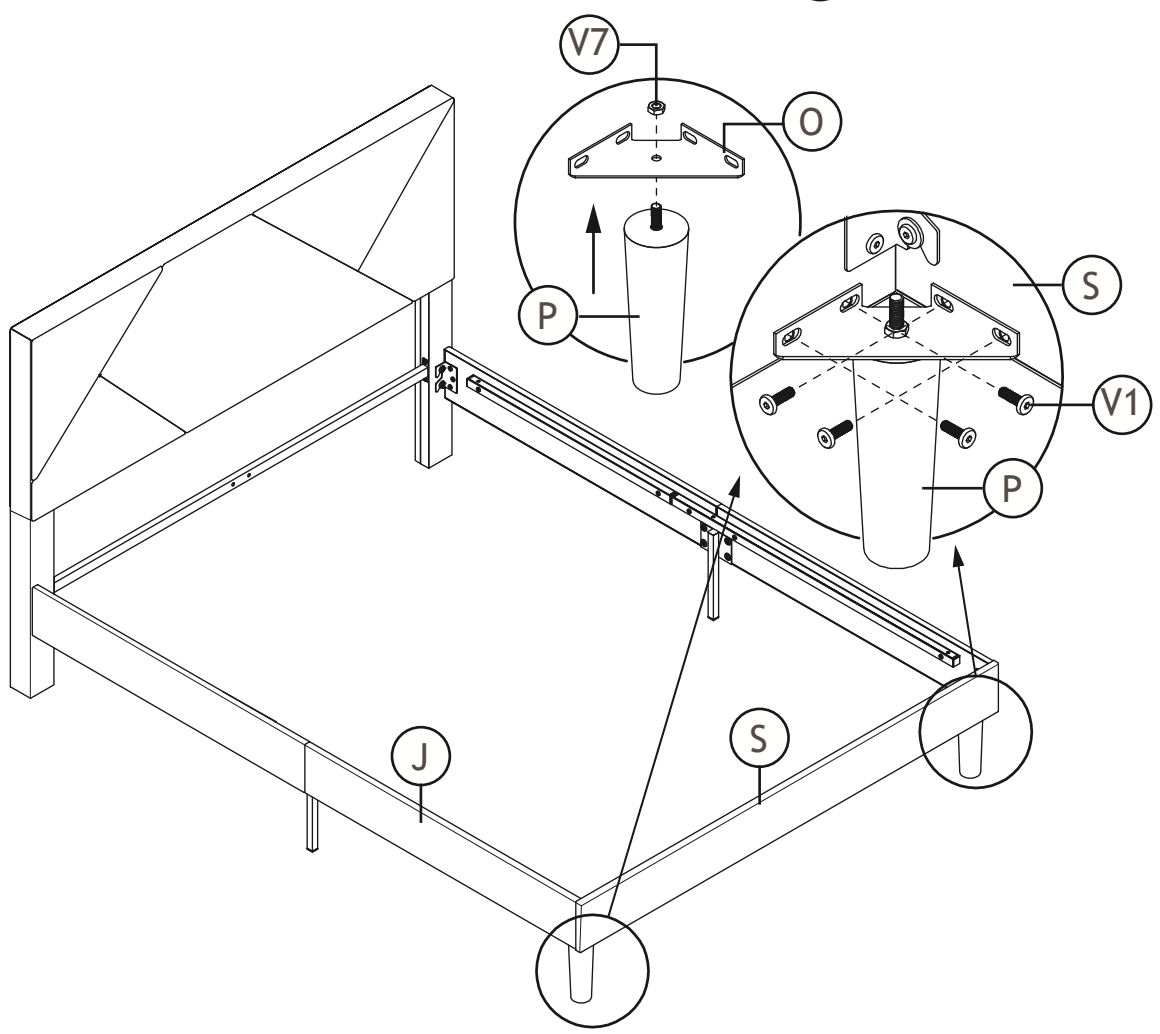




5

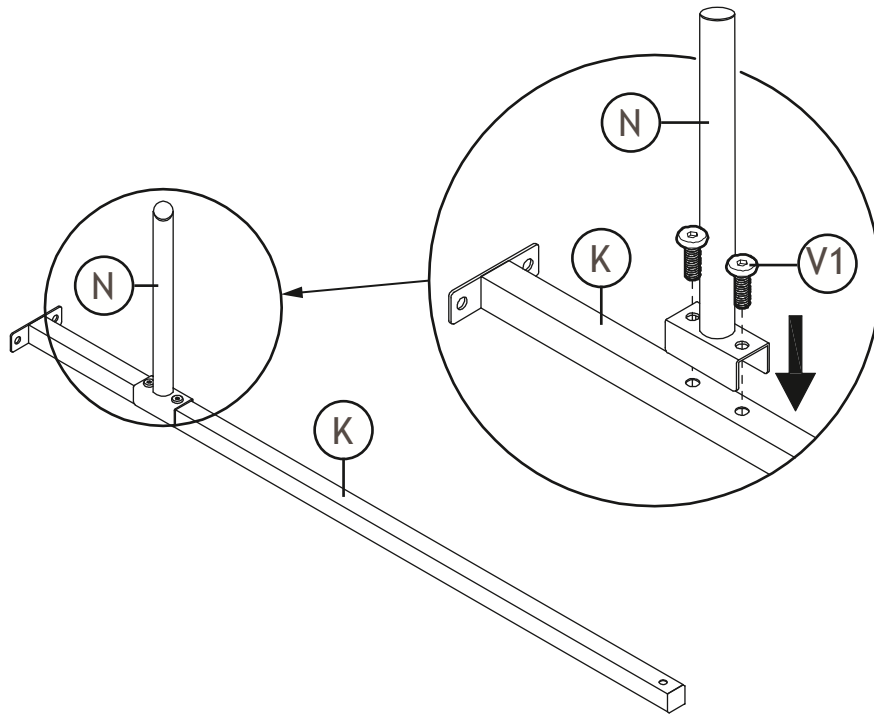


6

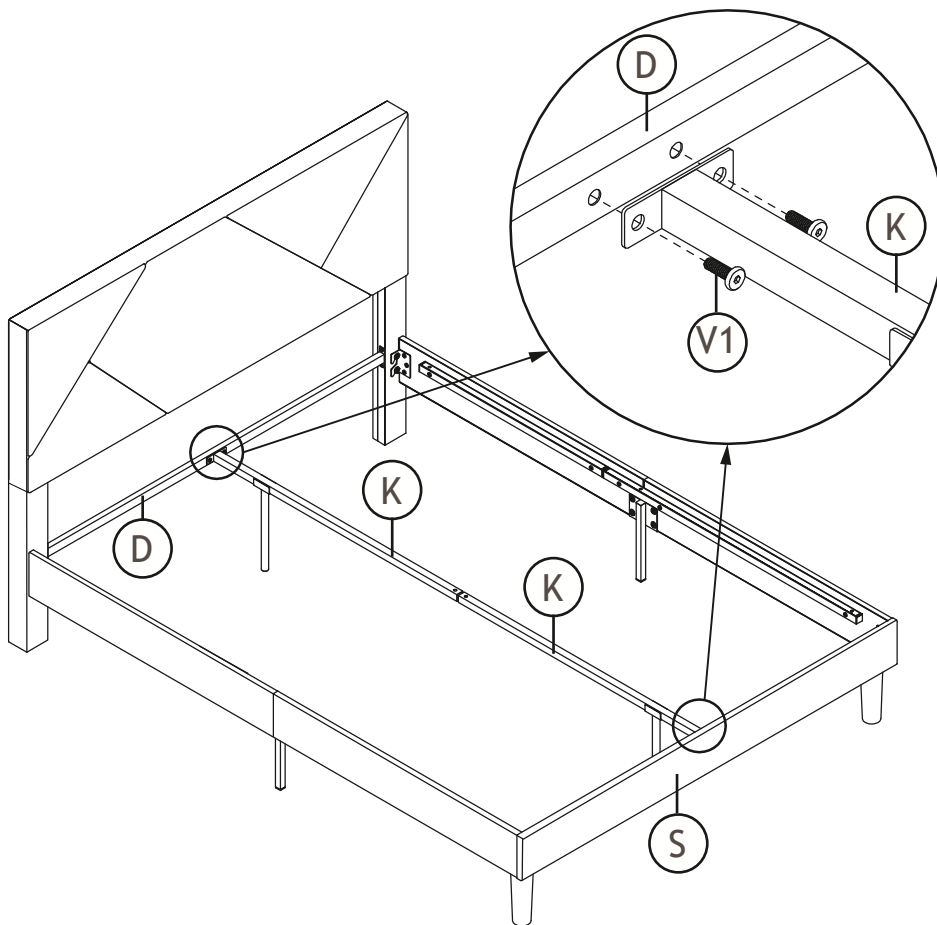


7

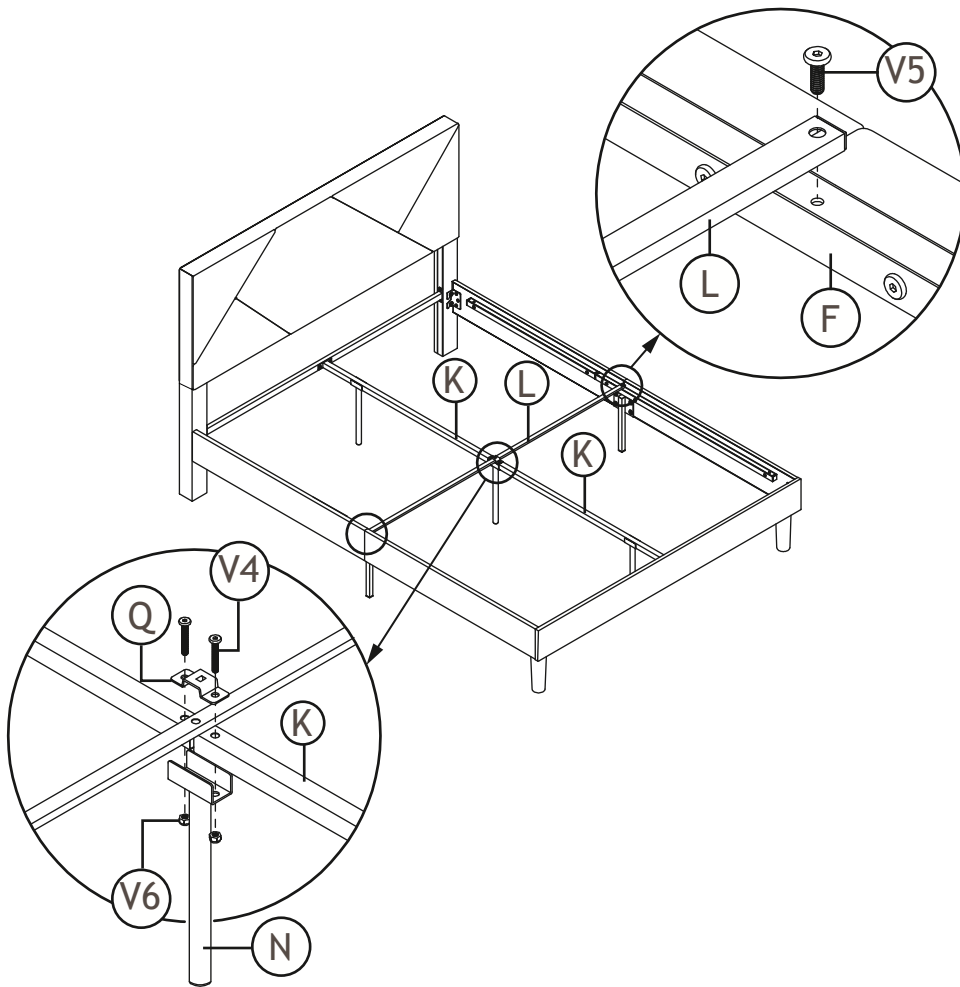
7



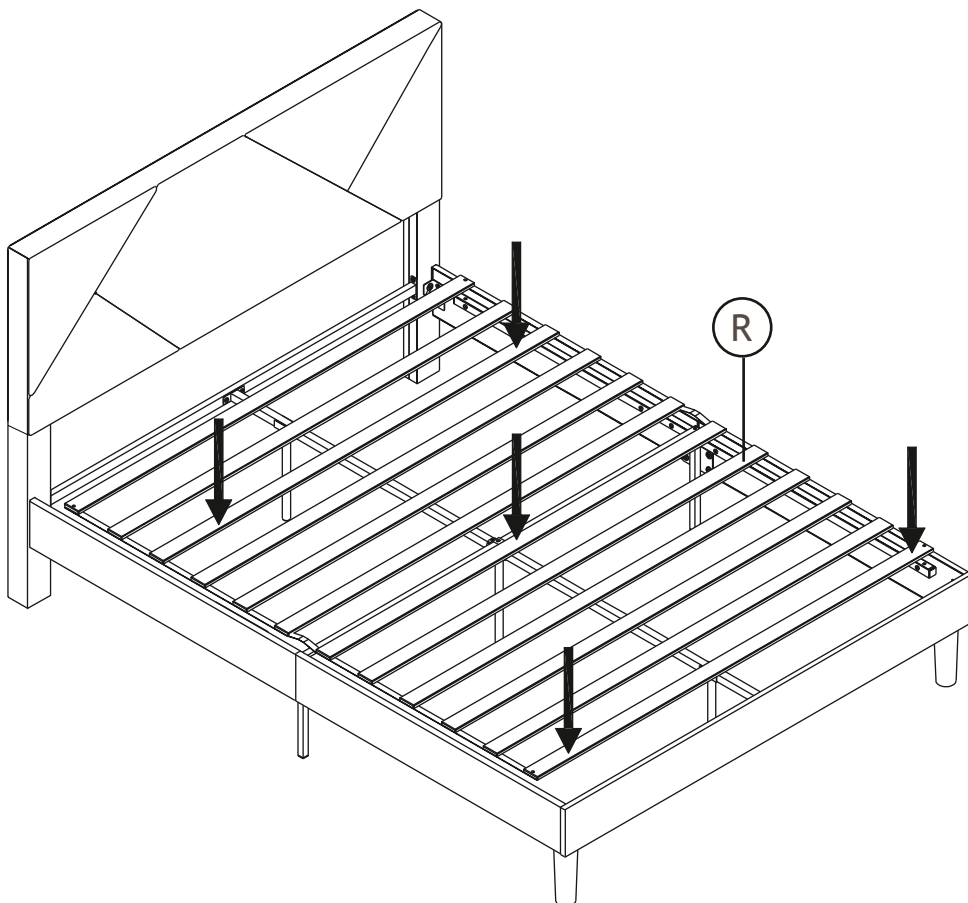
8

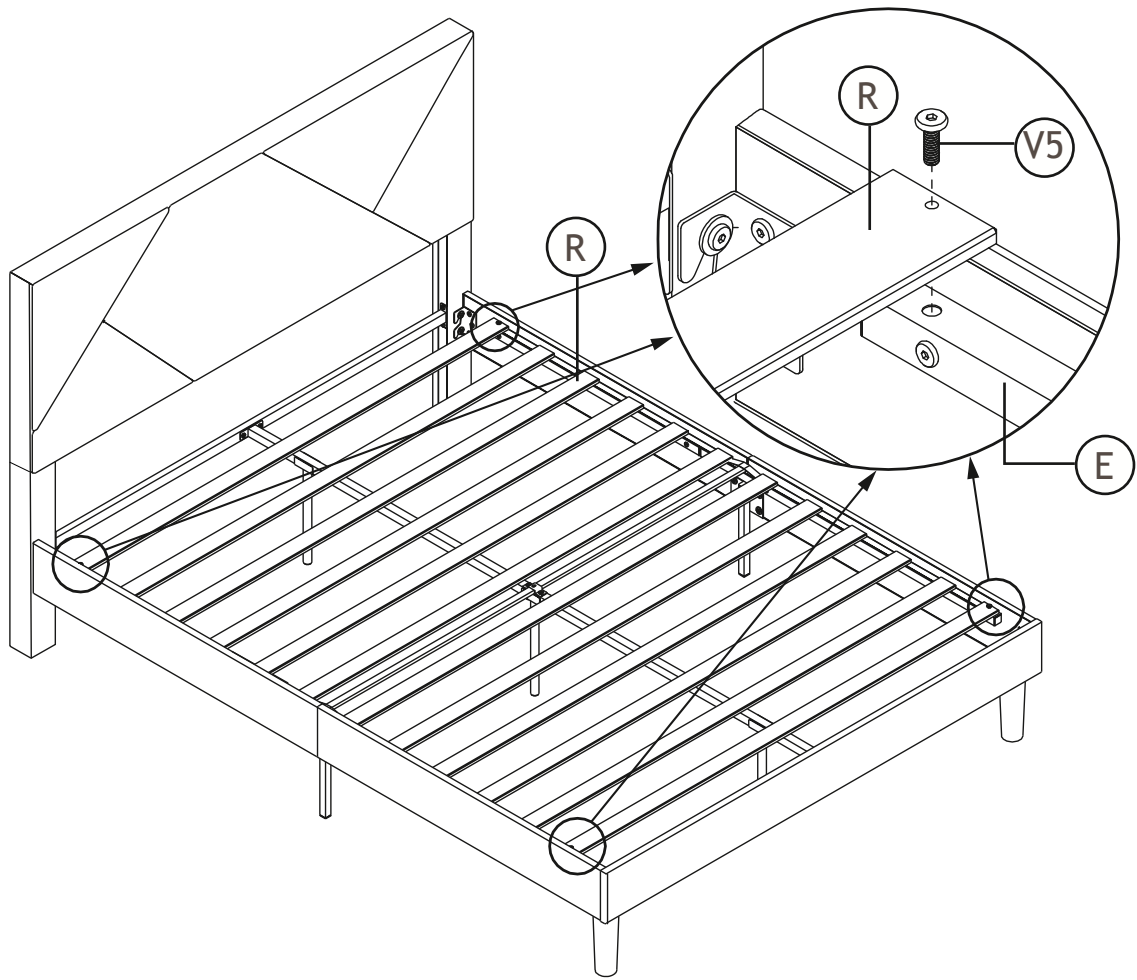


9



10





For items use on wooden floor, hard surfaces or carpets, it is recommended to install protective pads under all legs and supports to avoid/prevent from damages/scartches and discoloration