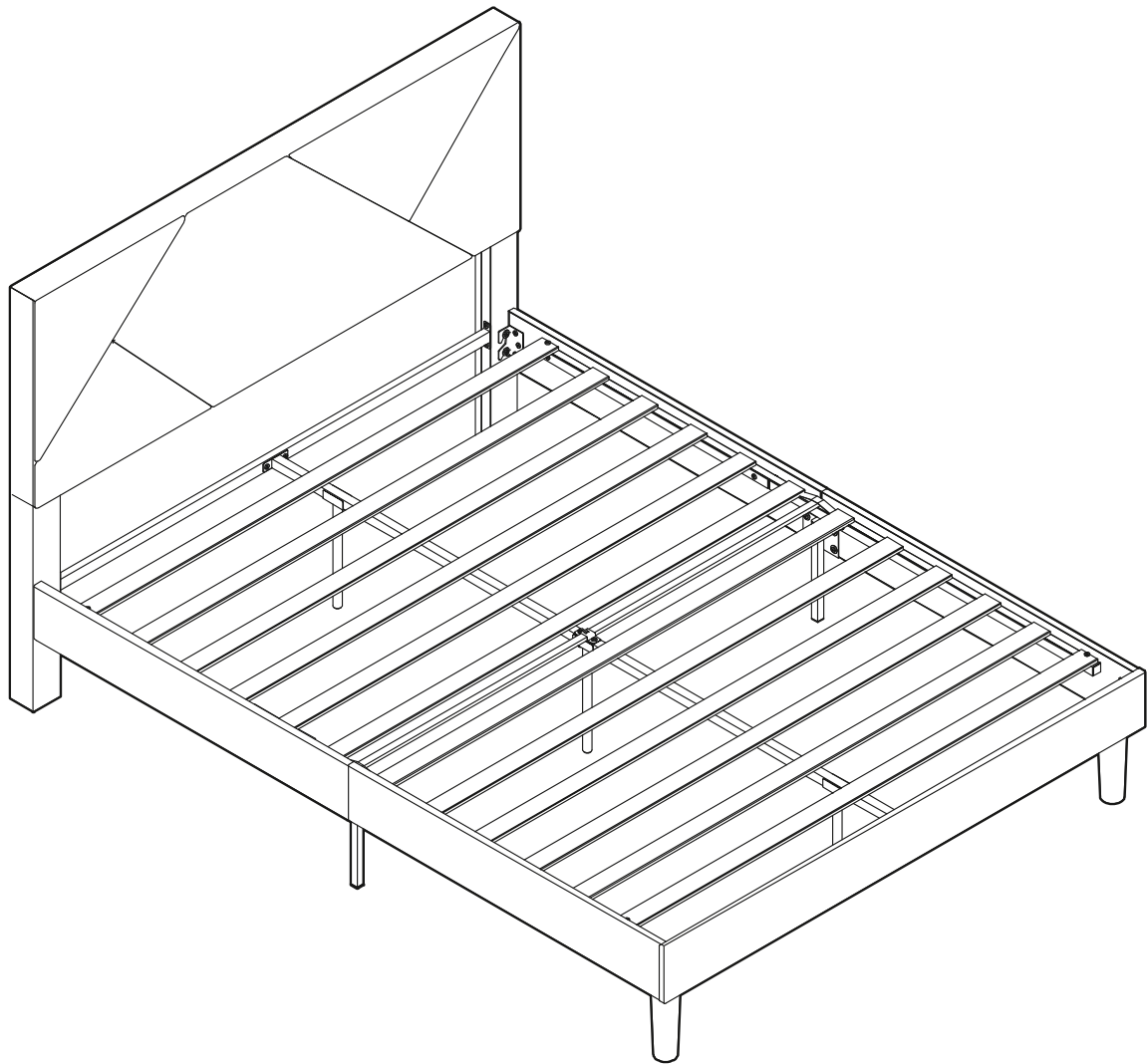


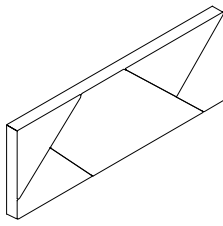


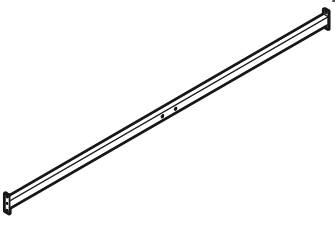
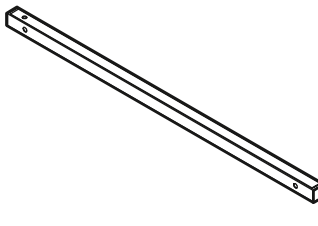
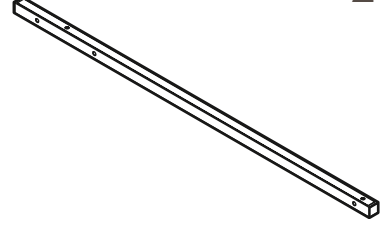
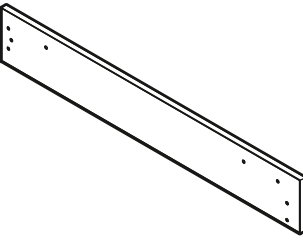
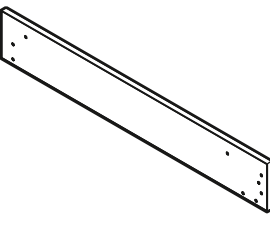
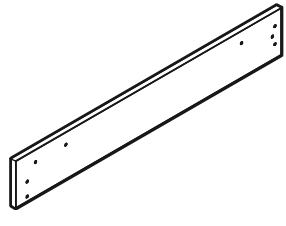
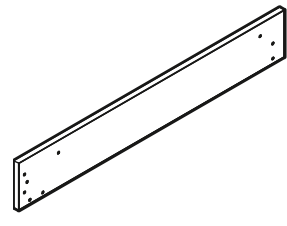
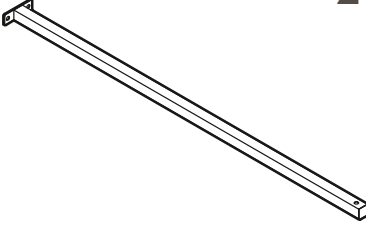
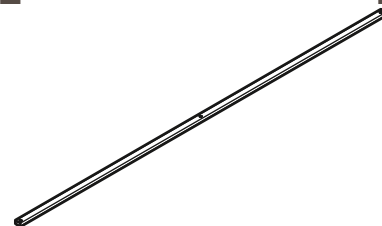
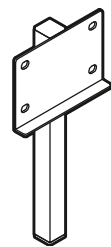
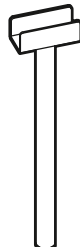
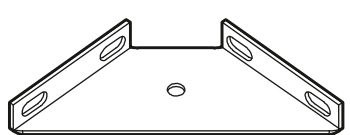

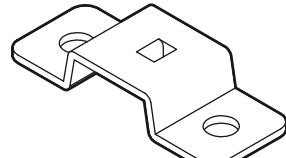
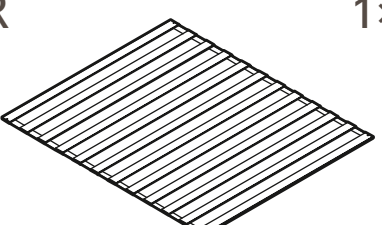
ASSEMBLY INSTRUCTION

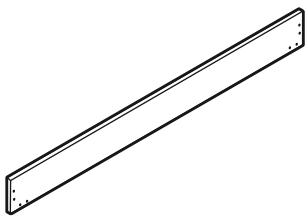
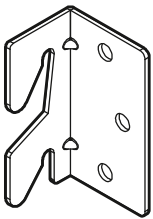
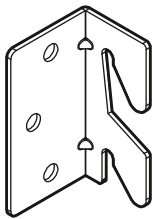
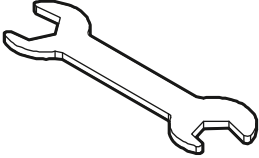








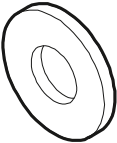

ITEM NO: 191B1610GY-1

QUEEN PLATFORM BED



PARTS LIST

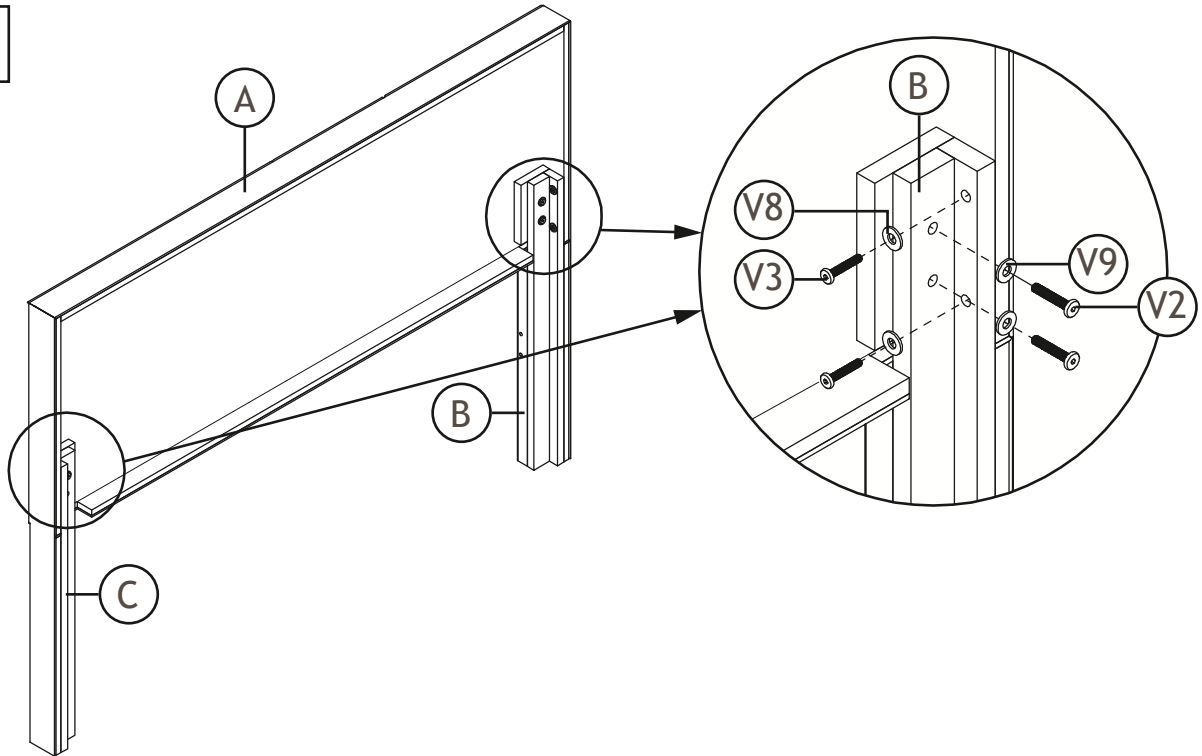
<p>A</p>  <p>1×</p>	<p>B</p>  <p>1×</p>	<p>C</p>  <p>1×</p>
<p>D</p>  <p>1×</p>	<p>E</p>  <p>2×</p>	<p>F</p>  <p>2×</p>
<p>G</p>  <p>1×</p>	<p>H</p>  <p>1×</p>	<p>I</p>  <p>1×</p>
<p>J</p>  <p>1×</p>	<p>K</p>  <p>2×</p>	<p>L</p>  <p>1×</p>
<p>M</p>  <p>2×</p>	<p>N</p>  <p>3×</p>	<p>O</p>  <p>2×</p>
<p>P</p>  <p>2×</p>	<p>Q</p>  <p>1×</p>	<p>R</p>  <p>1×</p>

<p>S</p>  <p>1×</p>	<p>T1</p>  <p>2×</p>	<p>T2</p>  <p>2×</p>
<p>U</p>  <p>1×</p>	<p>V1</p>  <p>44×</p> <p>1/4"×19</p>	<p>V2</p>  <p>4×</p> <p>5/16"×40</p>
<p>V3</p>  <p>4×</p> <p>1/4"×35</p>	<p>V4</p>  <p>12×</p> <p>1/4"×40</p>	<p>V5</p>  <p>10×</p> <p>1/4"×30</p>
<p>V6</p>  <p>2×</p> <p>1/4"</p>	<p>V7</p>  <p>2×</p> <p>M8</p>	<p>V8</p>  <p>20×</p> <p>1/4"</p>
<p>V9</p>  <p>4×</p> <p>5/16"</p>	<p>V10</p>  <p>1×</p>	

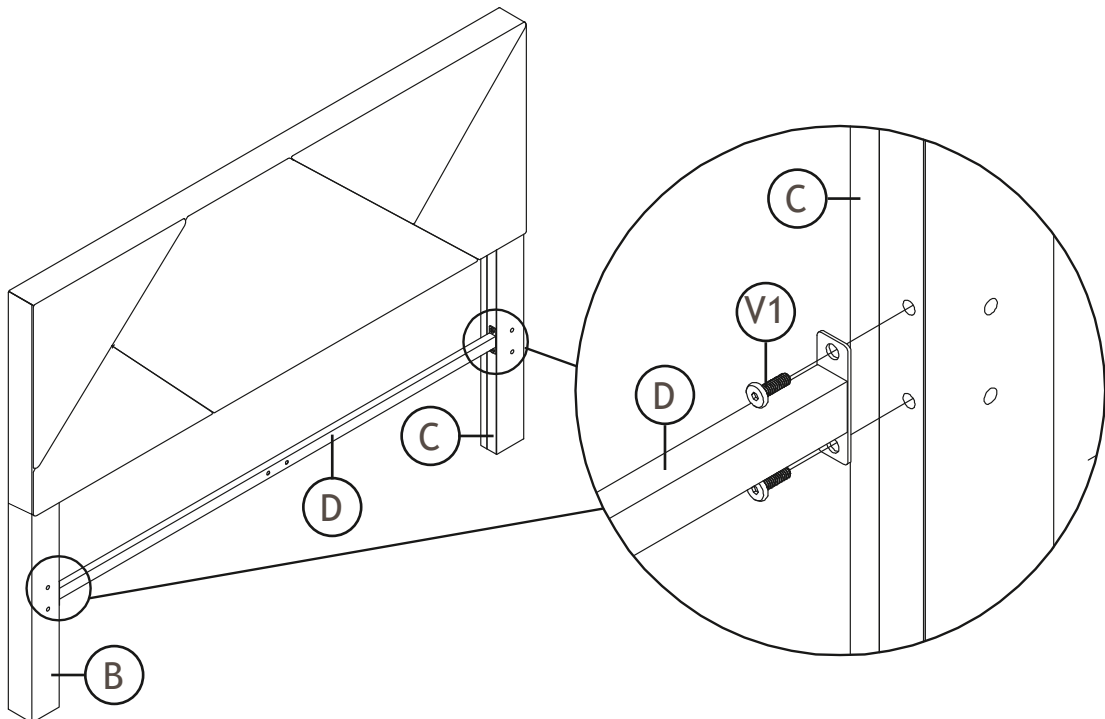
ASSEMBLY

Before your installation, please make sure that you have all the parts listed on the manual. If you find something missing, stop installing and contact your supplier immediately.

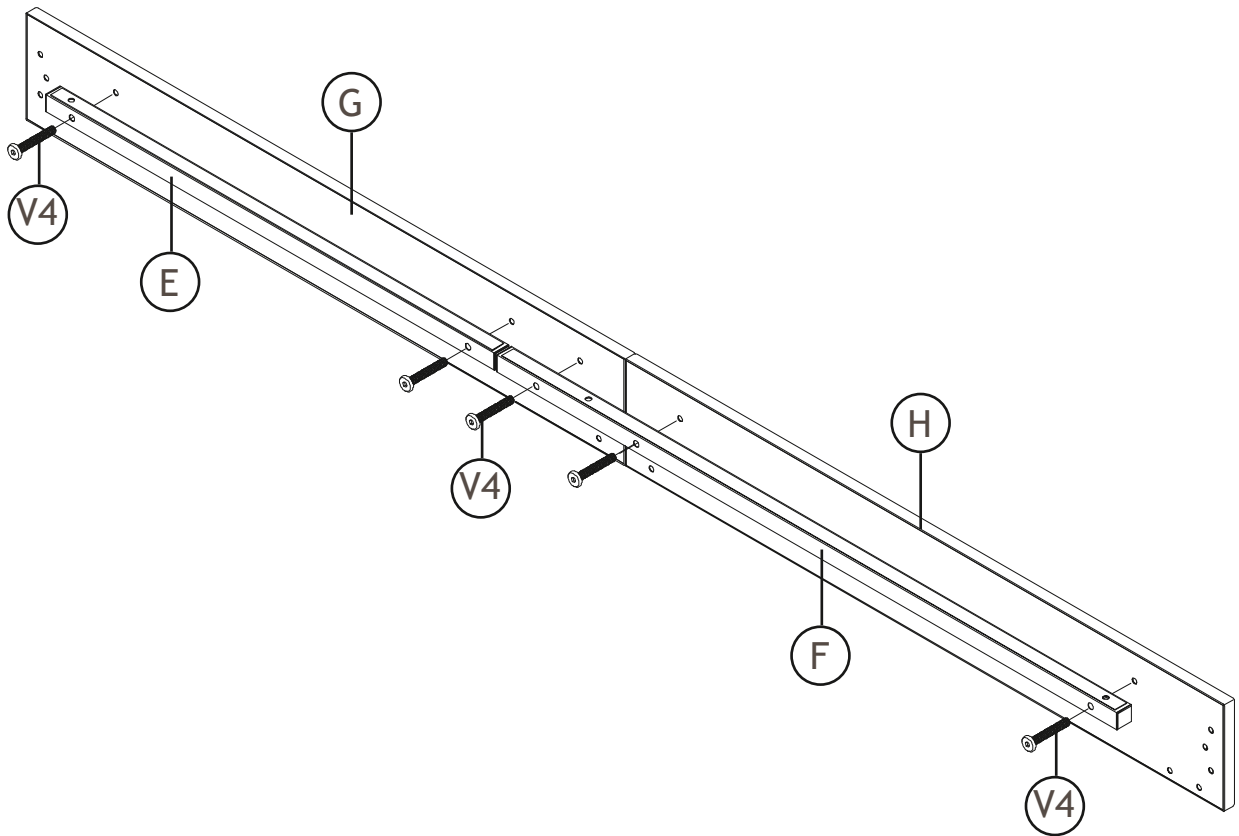
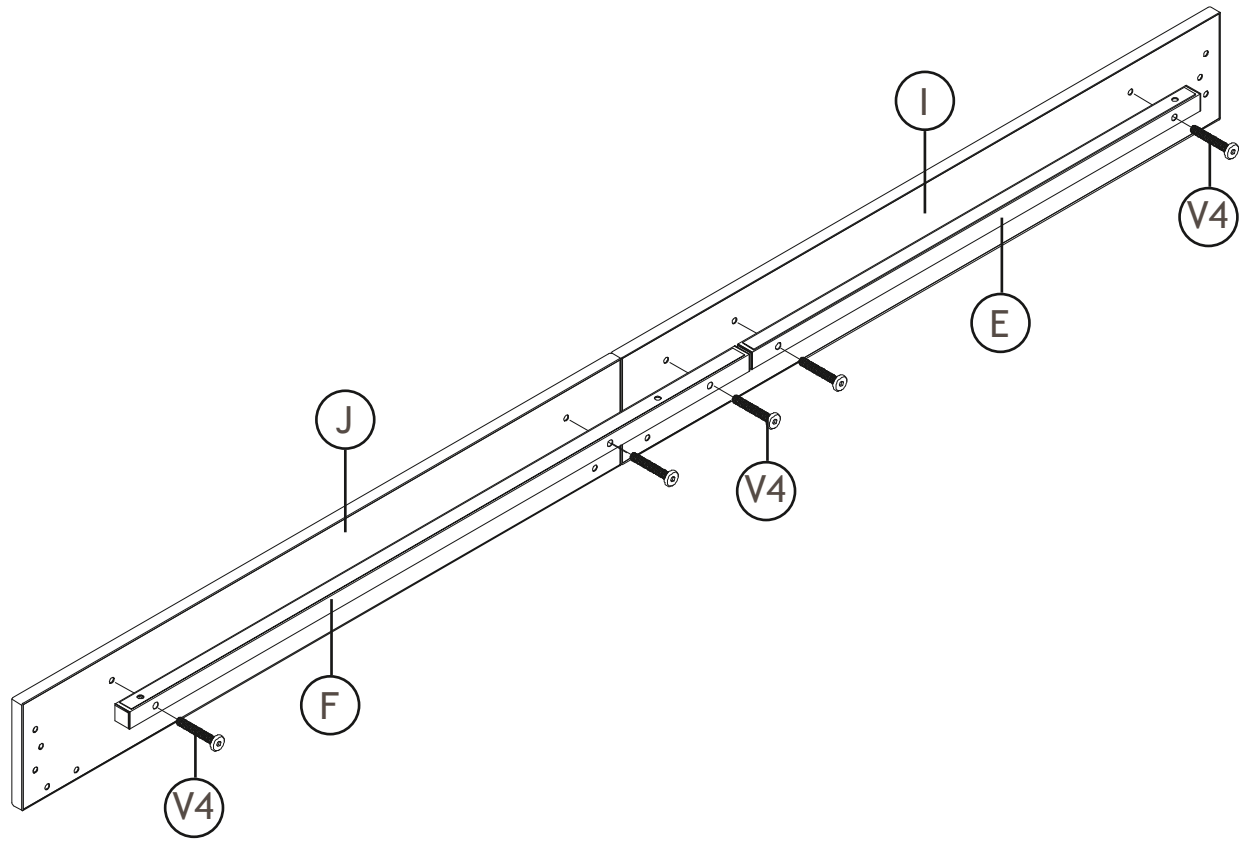
1

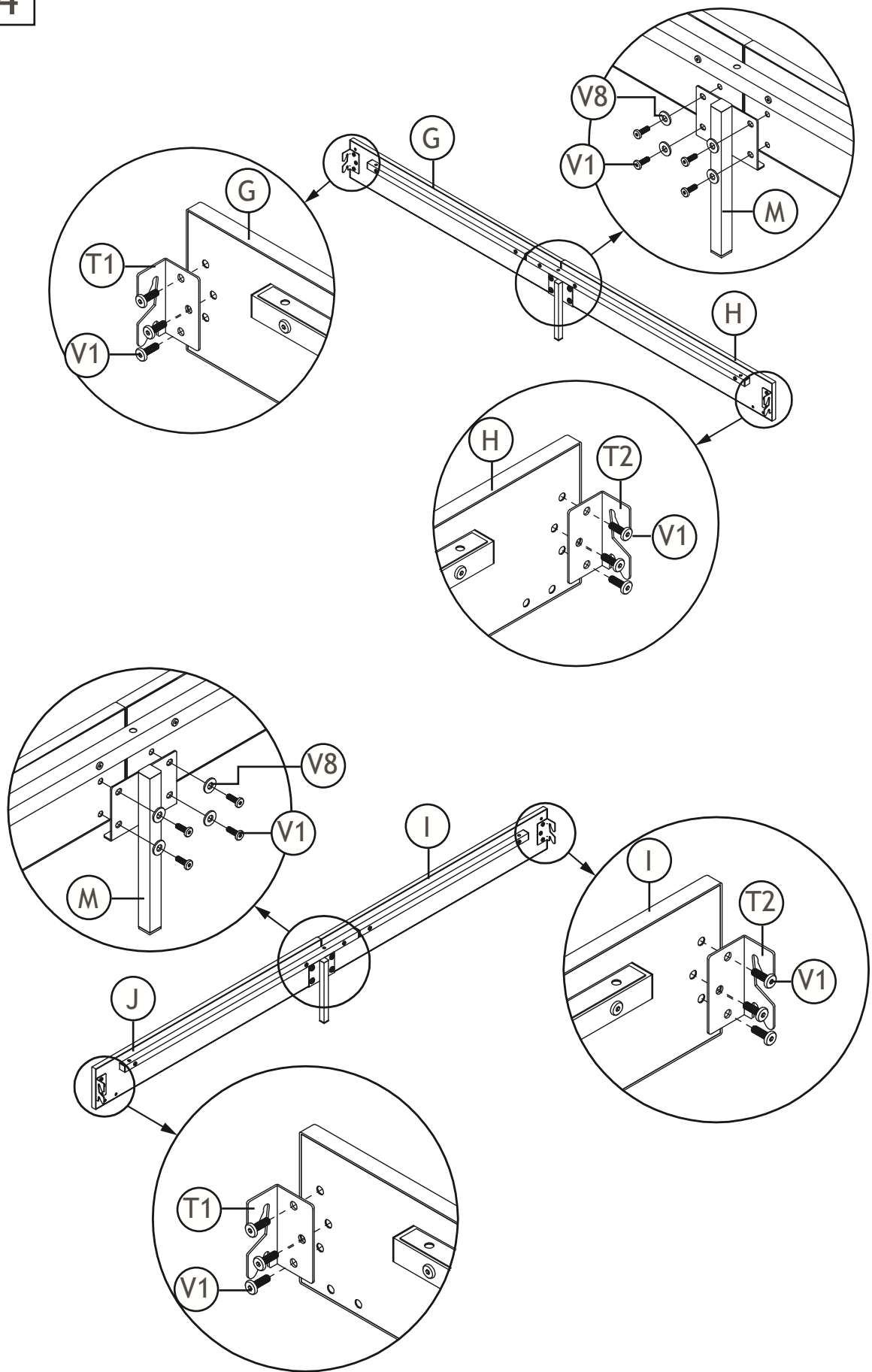


2

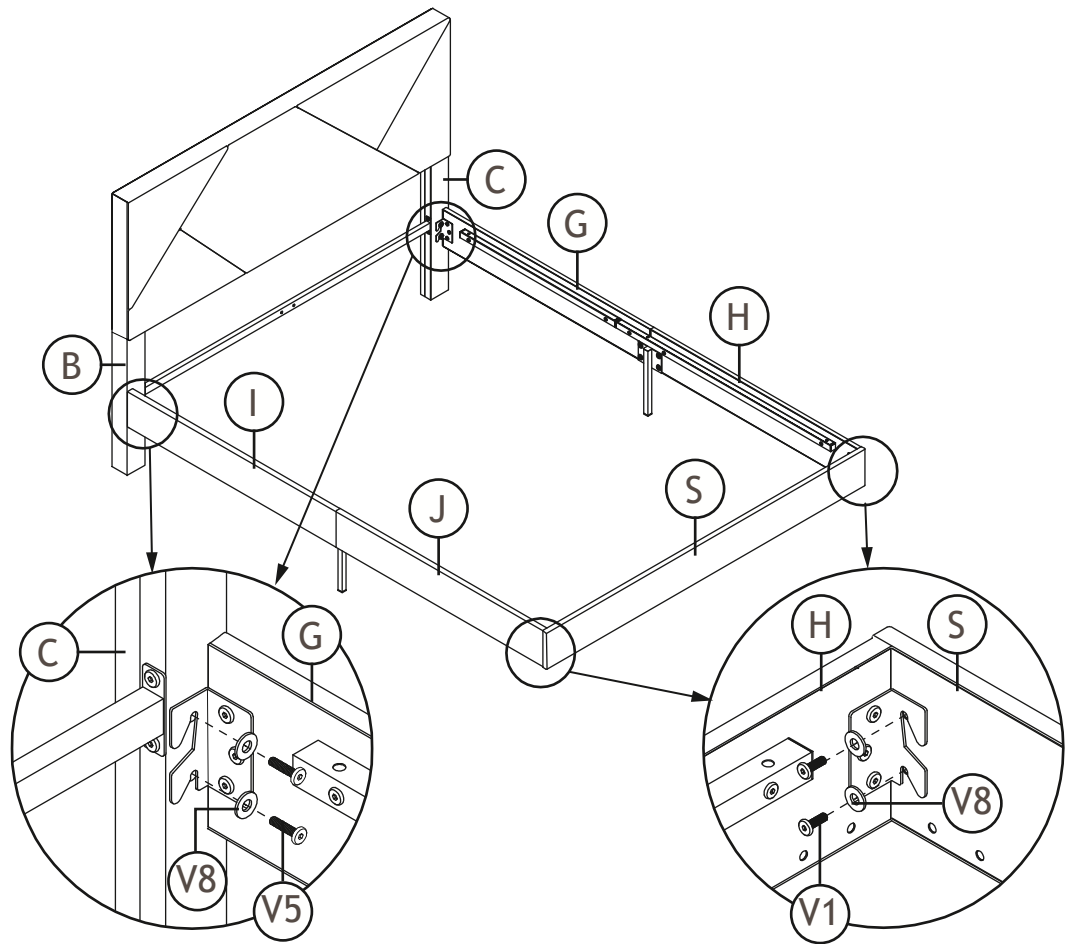


3

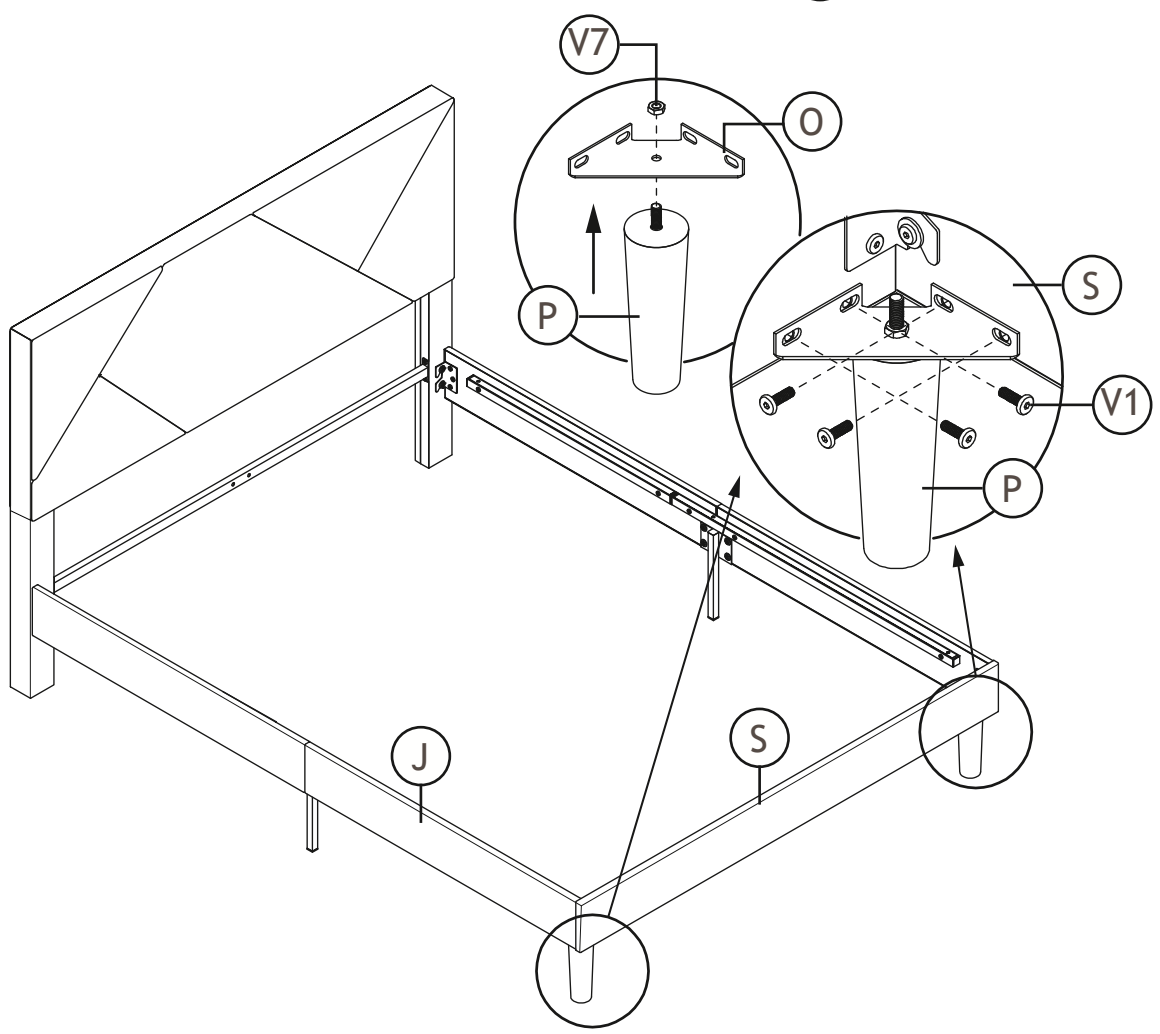




5

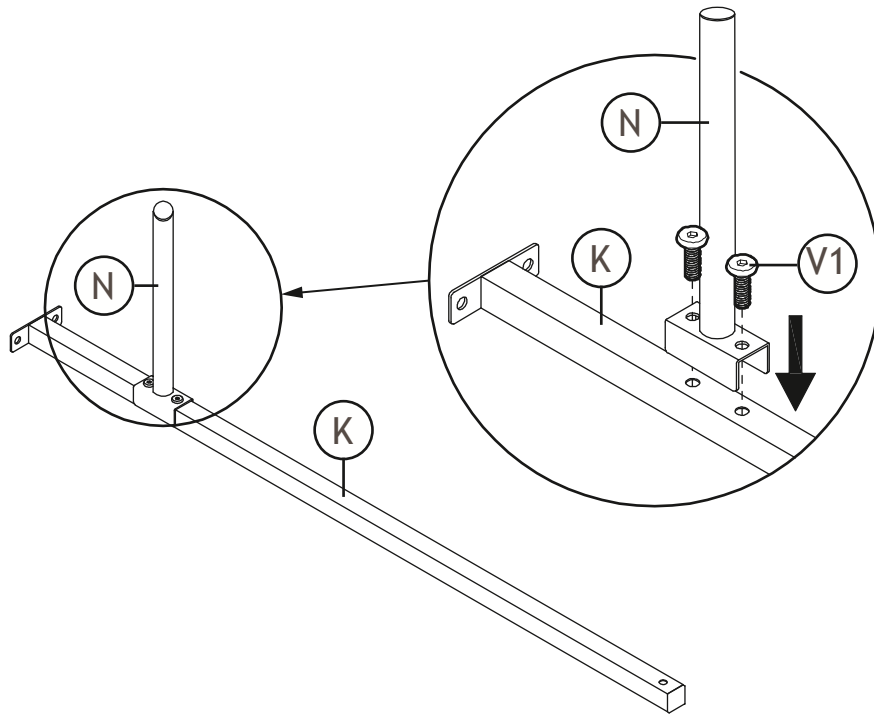


6

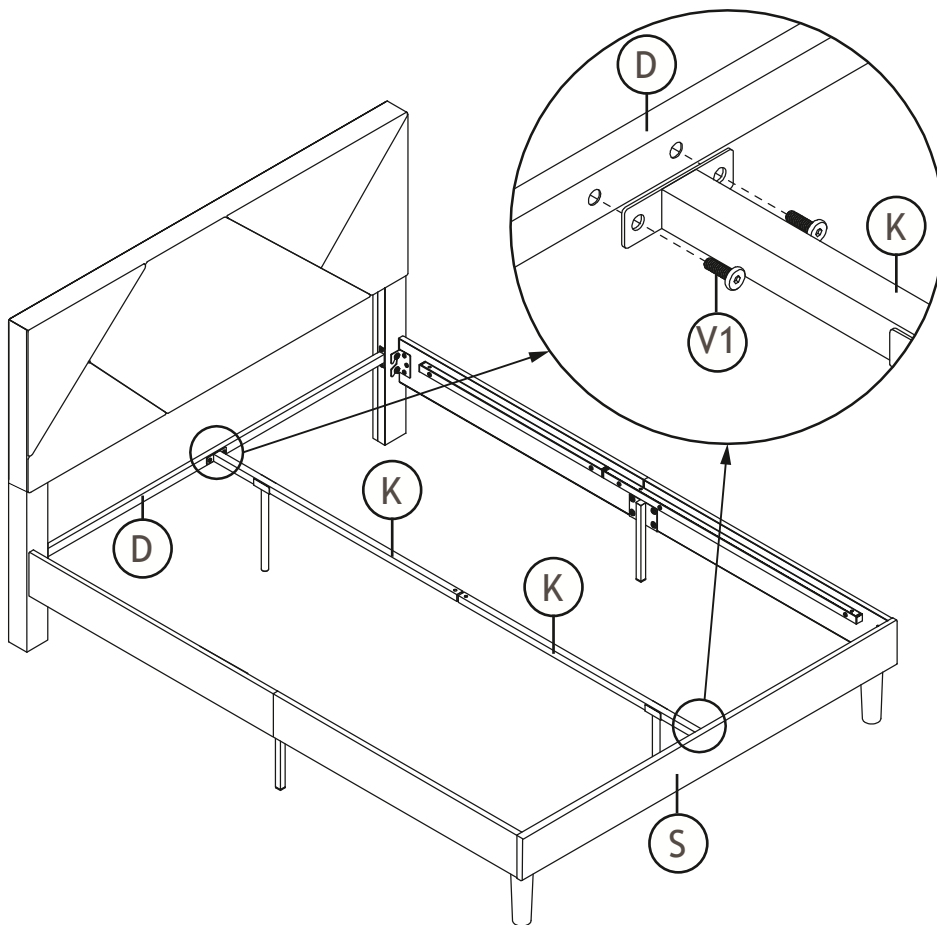


7

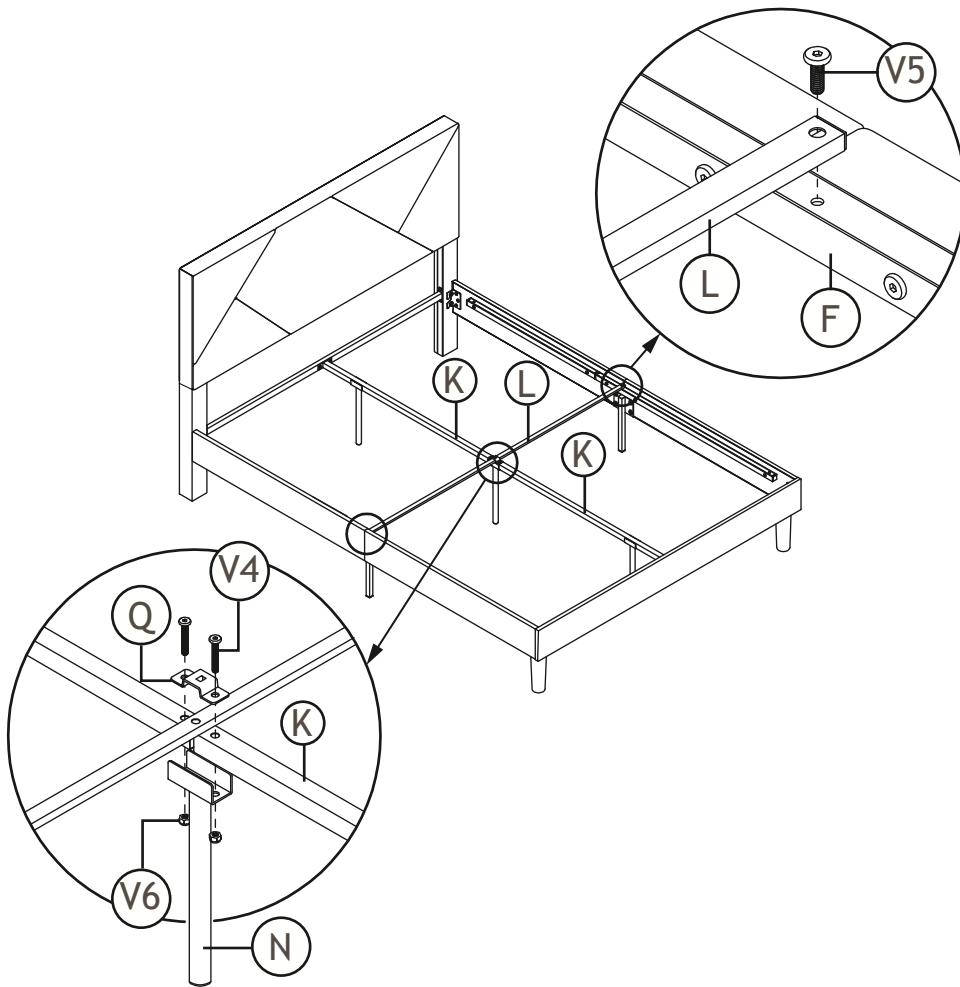
7



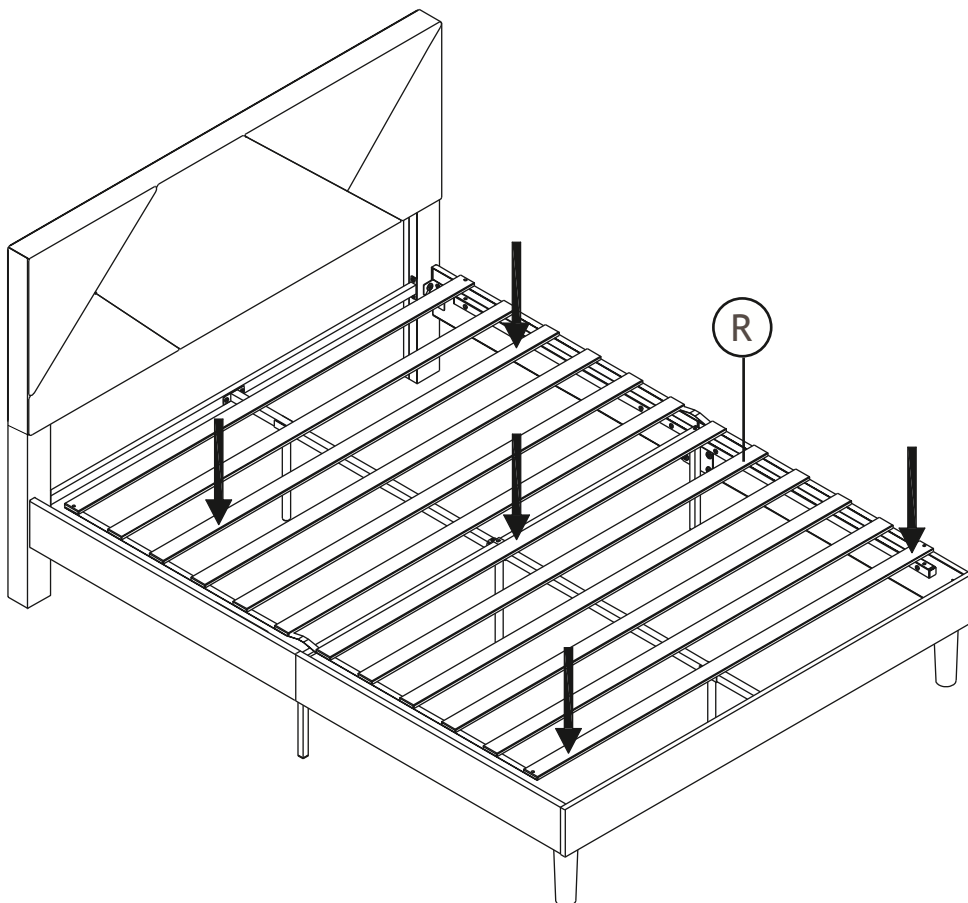
8

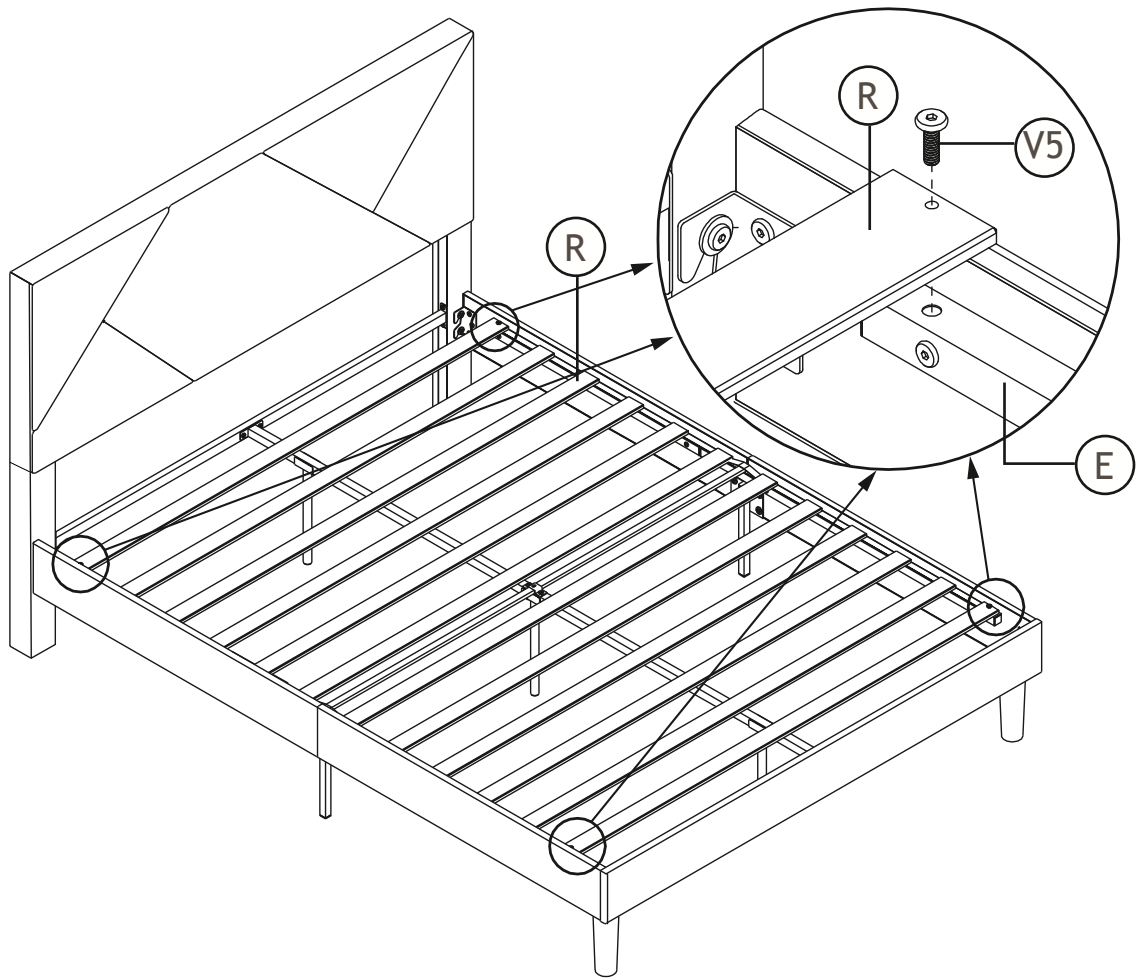


9



10





For items use on wooden floor, hard surfaces or carpets, it is recommended to install protective pads under all legs and supports to avoid/prevent from damages/scartches and discoloration