

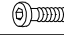

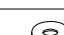

# Assembly Instruction

EK/CK HEADBOARD  
 EK/CK FOOTBOARD W/(18) SLATS & (12) SUPPORT LEGS  
 QUEEN/KING SIDE RAILS

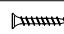
PART LIST

1	HEADBOARD	1 PC
2	HEADBOARD POST LSF	1 PC
3	HEADBOARD POST RSF	1 PC
4	STRETCHER	1 PC
5	FOOT BOARD	1 PC
6	RAIL	2 PCS
7	SLAT	18 PCS
8	SLAT SUPPORT LEG	12 PCS

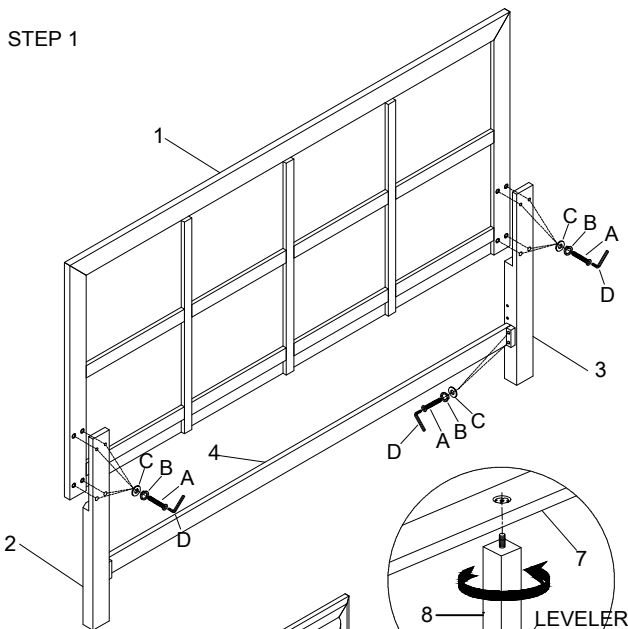
HARDWARE LIST IN -1

A		BOLT $\varnothing$ 5/16"x1-1/2"L	12 PCS
B		SPRING WASHER $\varnothing$ 1/2"x $\varnothing$ 5/16"	12 PCS
C		FLAT WASHER $\varnothing$ 3/4"x $\varnothing$ 5/16"	12 PCS
D		ALLEN KEY 5/16"	1 PC

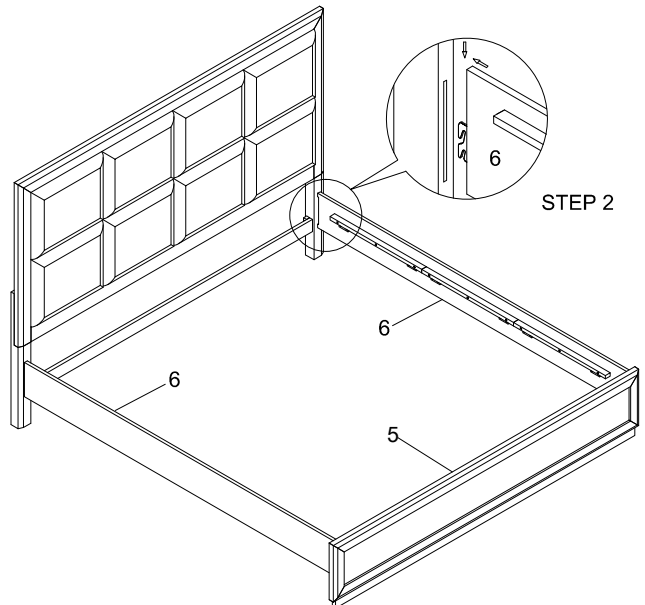
HARDWARE LIST IN -2

E		SCREW 8#x1-1/4"	20 PCS
---	--	-----------------	--------

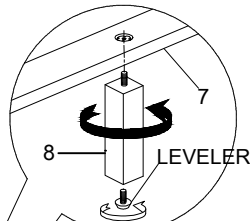
STEP 1



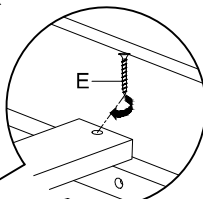
STEP 2



STEP 3



STEP 4



Assembly completed



**For items use on wooden floor hard surfaces or carpets  
 it is recommended to install protective pads under all legs and supports  
 to avoid/prevent from damages/scratches and discoloration**

MADE IN VIETNAM