

Assembly Instruction

EK/CK HEADBOARD

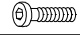



EK/CK FOOTBOARD W/(18) SLATS & (12) SUPPORT LEGS

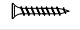
CK SIDE RAILS WITH TOP CROWN

PART LIST

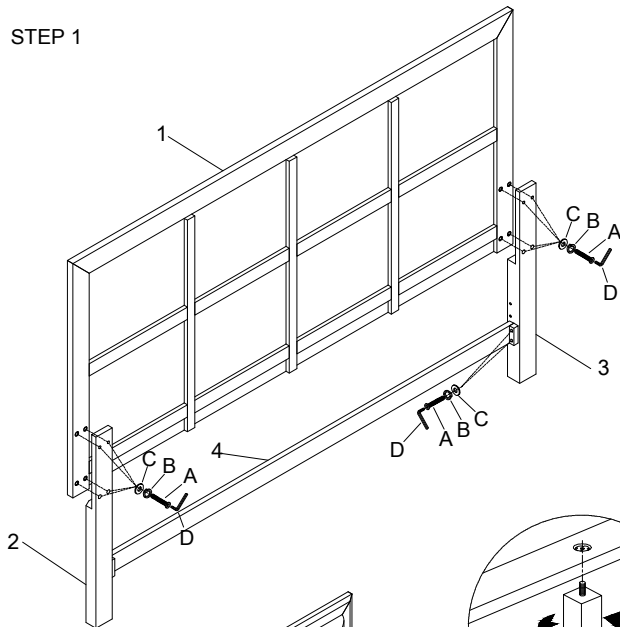
1	HEADBOARD	1 PC
2	HEADBOARD POST LSF	1 PC
3	HEADBOARD POST RSF	1 PC
4	STRETCHER	1 PC
5	FOOT BOARD	1 PC
6	RAIL	2 PCS
7	SLAT	18 PCS
8	SLAT SUPPORT LEG	12 PCS

HARDWARE LIST IN -1

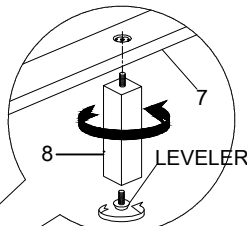
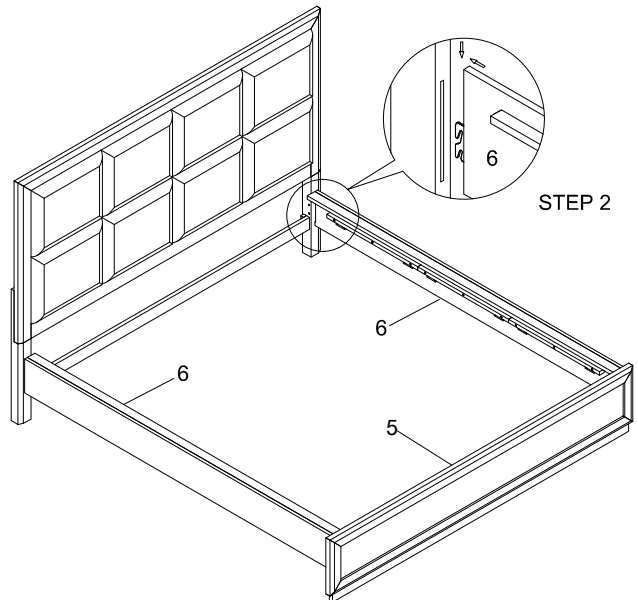
A		BOLT $\varnothing 5/16$ "x1-1/2"L	12 PCS
B		SPRING WASHER $\varnothing 1/2$ "x $\varnothing 5/16$ "	12 PCS
C		FLAT WASHER $\varnothing 3/4$ "x $\varnothing 5/16$ "	12 PCS
D		ALLEN KEY 5/16"	1 PC

E		SCREW #8x1-1/4"	20 PCS
---	--	-----------------	--------

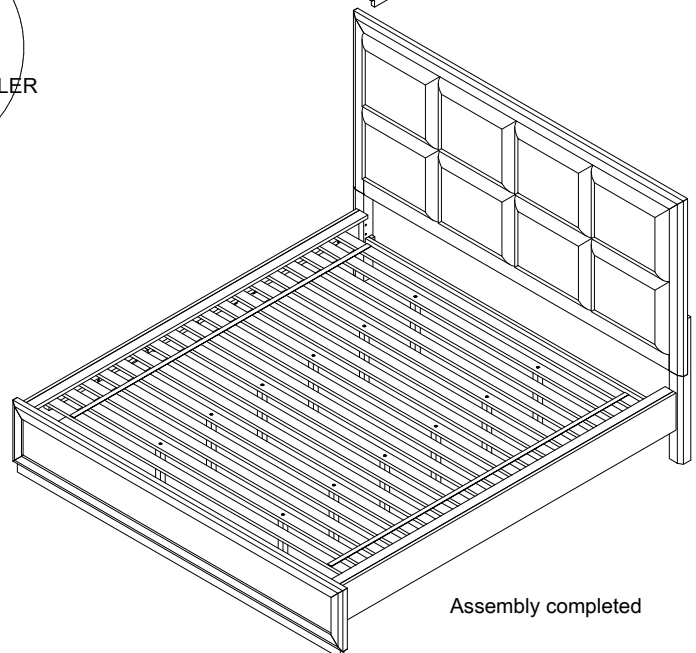
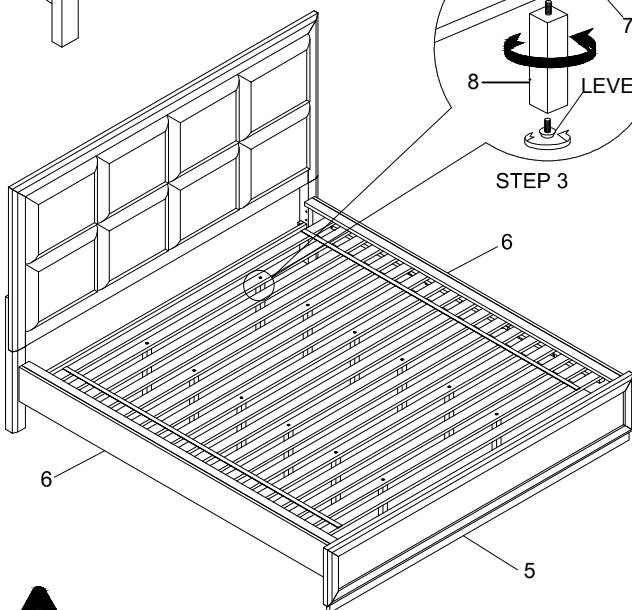
STEP 1



STEP 2



STEP 3



Assembly completed



**For items use on wooden floor hard surfaces or carpets
It is recommended to install protective pads under all legs and supports
to avoid/prevent from damages/scratches and discoloration**

MADE IN VIETNAM