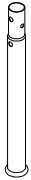


ASSEMBLY INSTRUCTION

191B4982-NT DAYBED WITH TRUNDLE

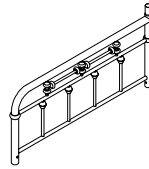
PART LIST:



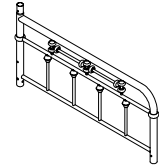
A: Arm Post
2PCS



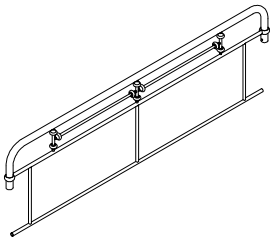
B: Arm Post
2PCS



C: LSF Arm
1PC



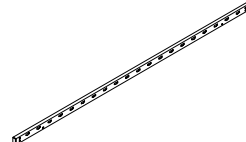
D: RSF Arm
1PC



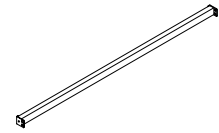
E: Back Frame
1PC



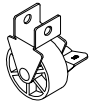
F: Rail
2PCS



G: Trundle Long
Rail
2PCS



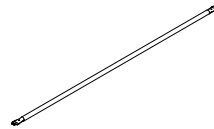
H: Trundle Short
Rail
2PCS



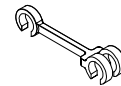
I: Lock Wheel
2PCS



J: Wheel
2PCS



K: Slat
42PCS
(Daybed: 22pcs, Trundle: 20pcs)

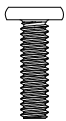


L: Slat Spacer
40PCS
(Daybed: 21pcs, Trundle: 19pcs)



M: Slat Connector
84PCS

HARDWARE LIST:



1: Bolt 1/4*33mm
X 4pcs



2: Bolt 1/4*55mm
X 2pcs



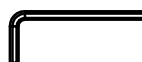
3: Bolt 1/4*19mm
X 14pcs



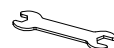
4: Bolt 5/16*19mm
X 8pcs



5: Nut 1/4
X 4pcs



6: Allen Key
X 1pc

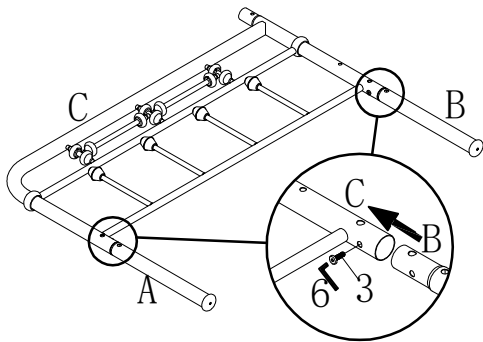


7: Wrench
X 1pc

Note: Please do not tighten all bolts until the bed is assembled completely.

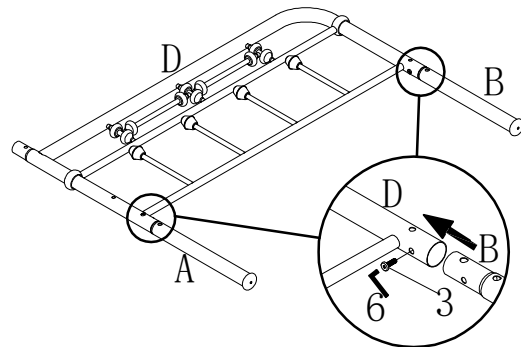
DAYBED ASSEMBLY

STEP 1



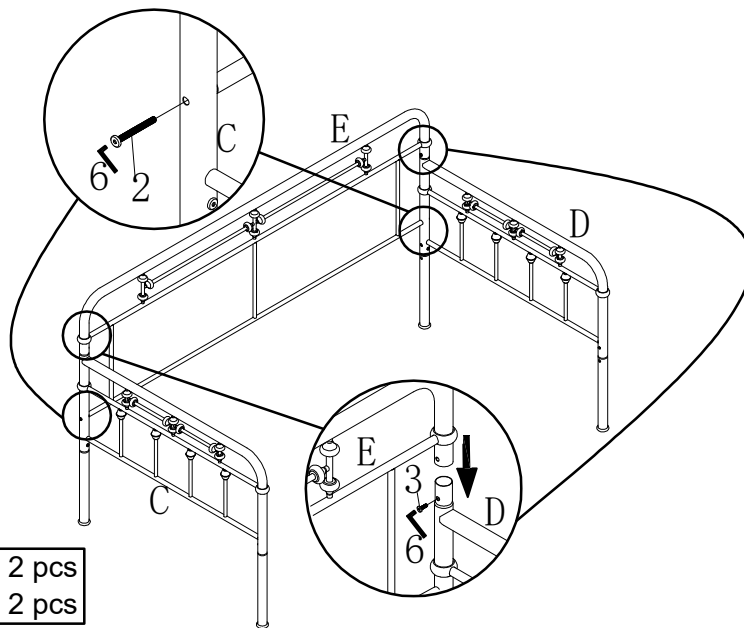
Hardware 3: 2 pcs

STEP 2



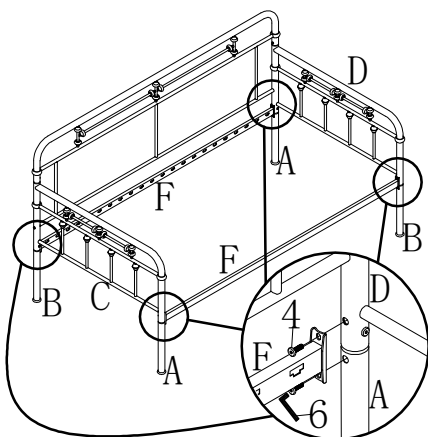
Hardware 3: 2 pcs

STEP 3



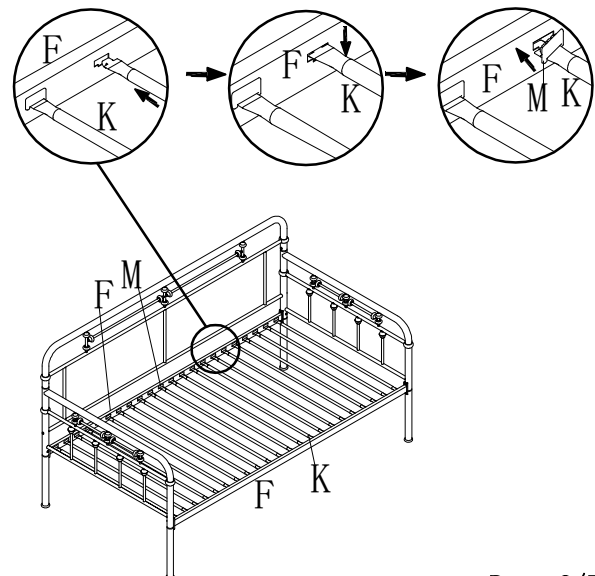
Hardware 2: 2 pcs
Hardware 3: 2 pcs

STEP 4



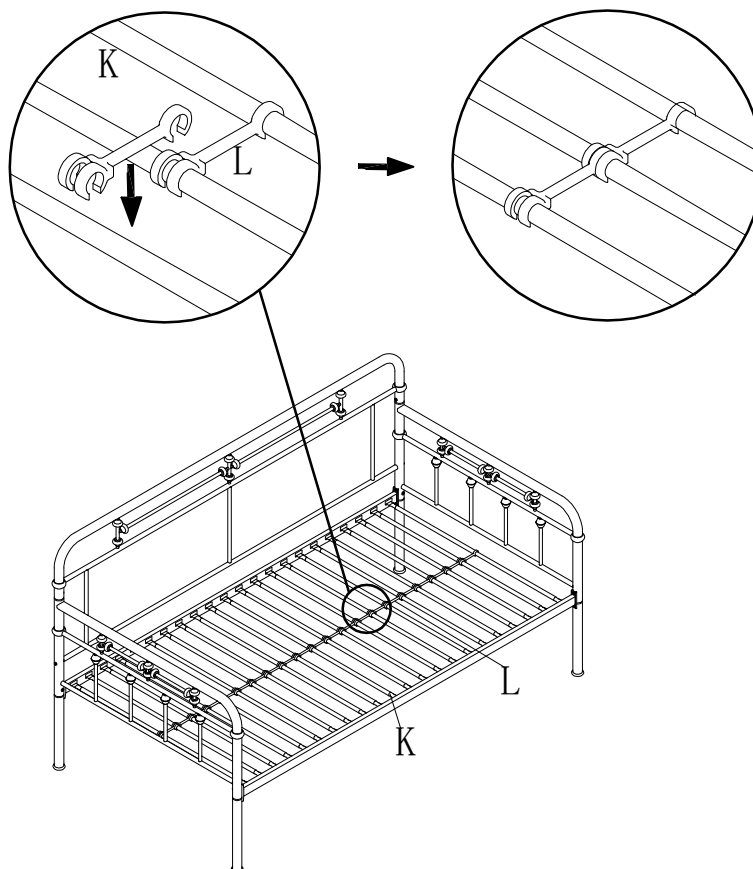
Hardware 4: 8 pcs

STEP 5

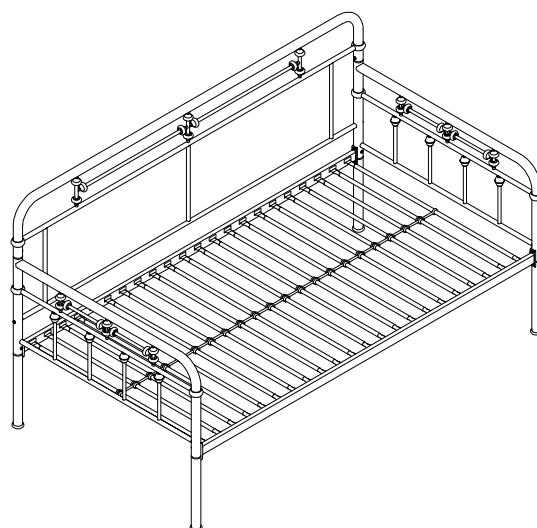


Note: Please do not tighten all bolts until the bed is assembled completely.

STEP 6



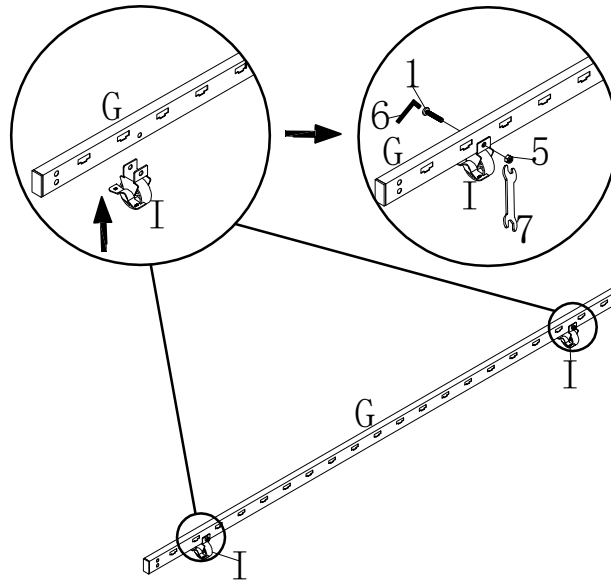
DAYBED COMPLETED



Note: Please do not tighten all bolts until the bed is assembled completely.

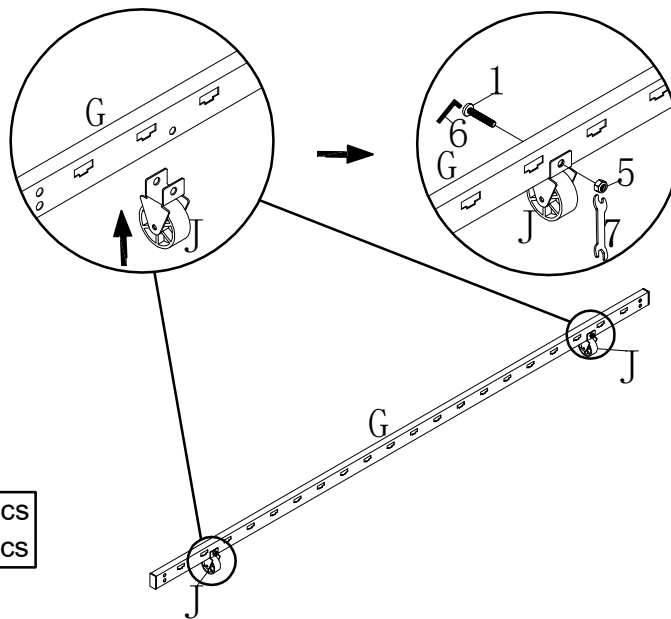
TRUNDLE ASSEMBLY

STEP 7



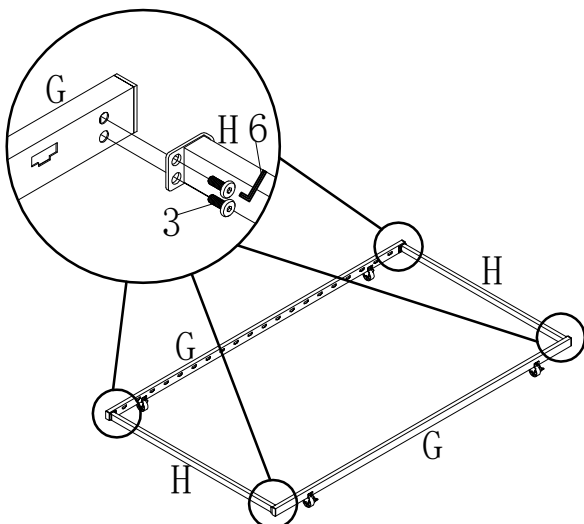
Hardware 1: 2 pcs
Hardware 4: 2 pcs

STEP 8



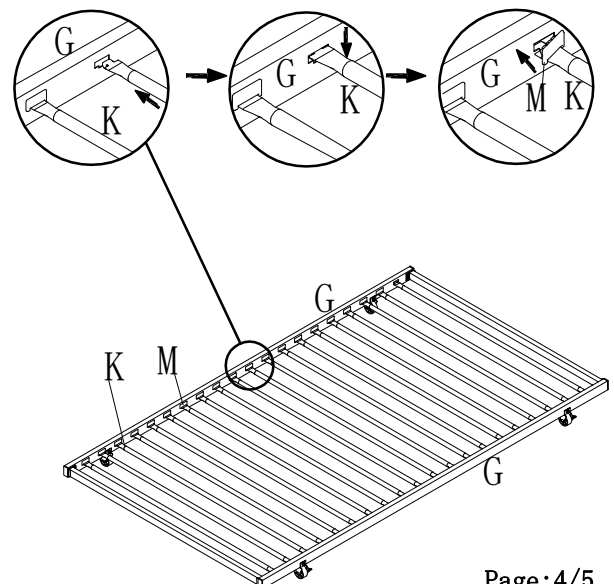
Hardware 1: 2 pcs
Hardware 4: 2 pcs

STEP 9



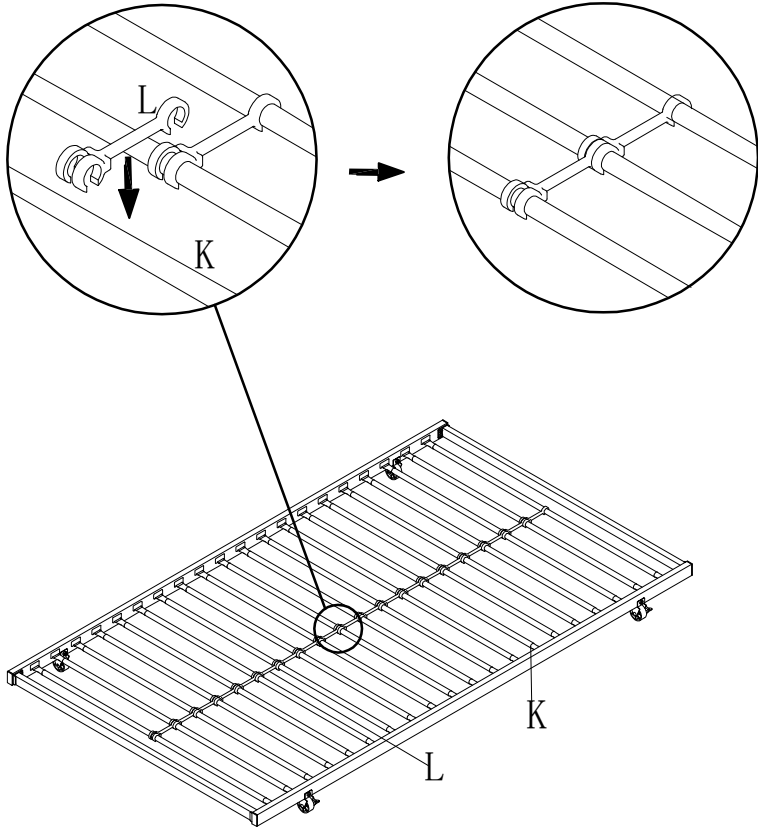
Hardware 3: 8 pcs

STEP 10



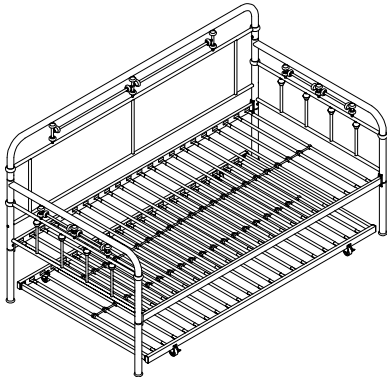
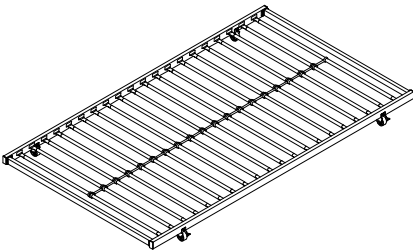
Note: Please do not tighten all bolts until the bed is assembled completely.

STEP 11



TRUNDLE COMPLETED

COMPLETED



For items use on wooden floor, hard surfaces or carpets, it is recommended to install protective pads under all legs and supports to avoid/prevent from damages/scratches and discoloration.