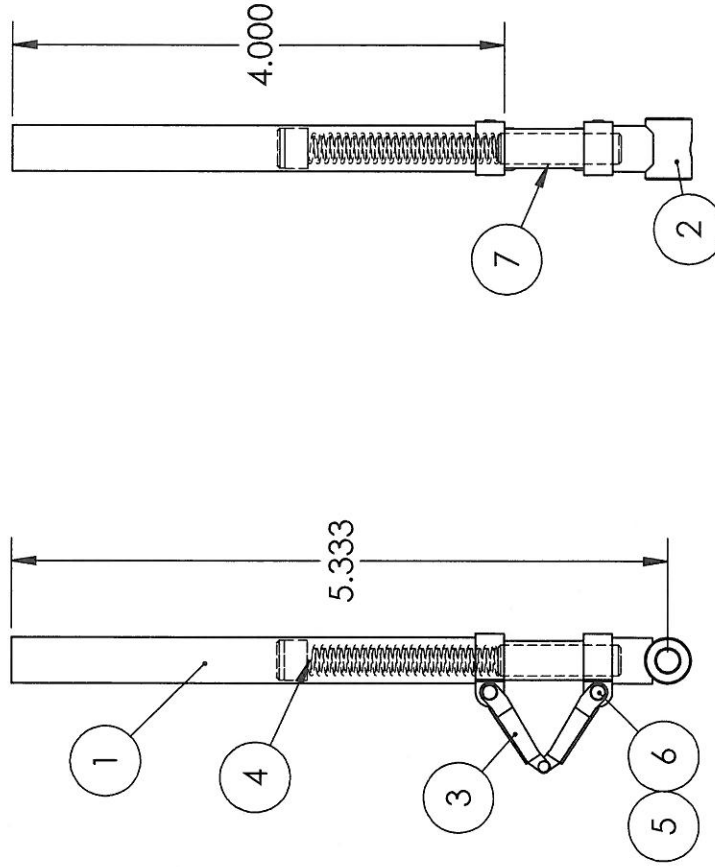


REVISIONS		
REV.	DESCRIPTION	DATE
-	DRAWN IN SOLIDWORKS	7/18/17
		BGM

BILL OF MATERIALS

QTY.	ITEM NO.	DESCRIPTION	PART #
1	1	STRUT TUBE ASSEMBLY	650061A
1	2	OLEO RAM WELDMENT	650002A
1	3	TORQUE LINK ASSEMBLY	650003A
1	4	COMPRESSION SPRING	650038P
2	5	CLEVIS PIN	650014M
2	6	E CLIP	1062F
1	7	ALUMINUM PLUG	650004M



robostrut
MFG. INC. 625 N. 12TH STREET
ST. CHARLES, IL. ROBART.COM

TITLE: **Ø 3/8" ROBOSTRUT STRAIGHT ASSEMBLY**

SIZE DWG. NO. **A 650200A** REV **-**

SCALE: 2:3 SHEET 1 OF 1

NAME	DATE
B. METZ	7/13/16

UNLESS OTHERWISE SPECIFIED:	
DRAWN	DIMENSIONS ARE IN INCHES
CHECKED	TOLERANCES:
MFG. APPR.	FRACTIONAL: ± 1/32
Q.A.	ANGULAR: MACH ± BEND ±
	TWO PLACE DECIMAL ±0.01
	THREE PLACE DECIMAL ±0.005
	FOUR PLACE DECIMAL ±0.0005

PROPRIETARY AND CONFIDENTIAL

THE INFORMATION CONTAINED IN THIS DRAWING IS THE SOLE PROPERTY OF ROBART MANUFACTURING. ANY REPRODUCTION IN PART OR AS A WHOLE WITHOUT THE WRITTEN PERMISSION OF ROBART MANUFACTURING IS PROHIBITED.