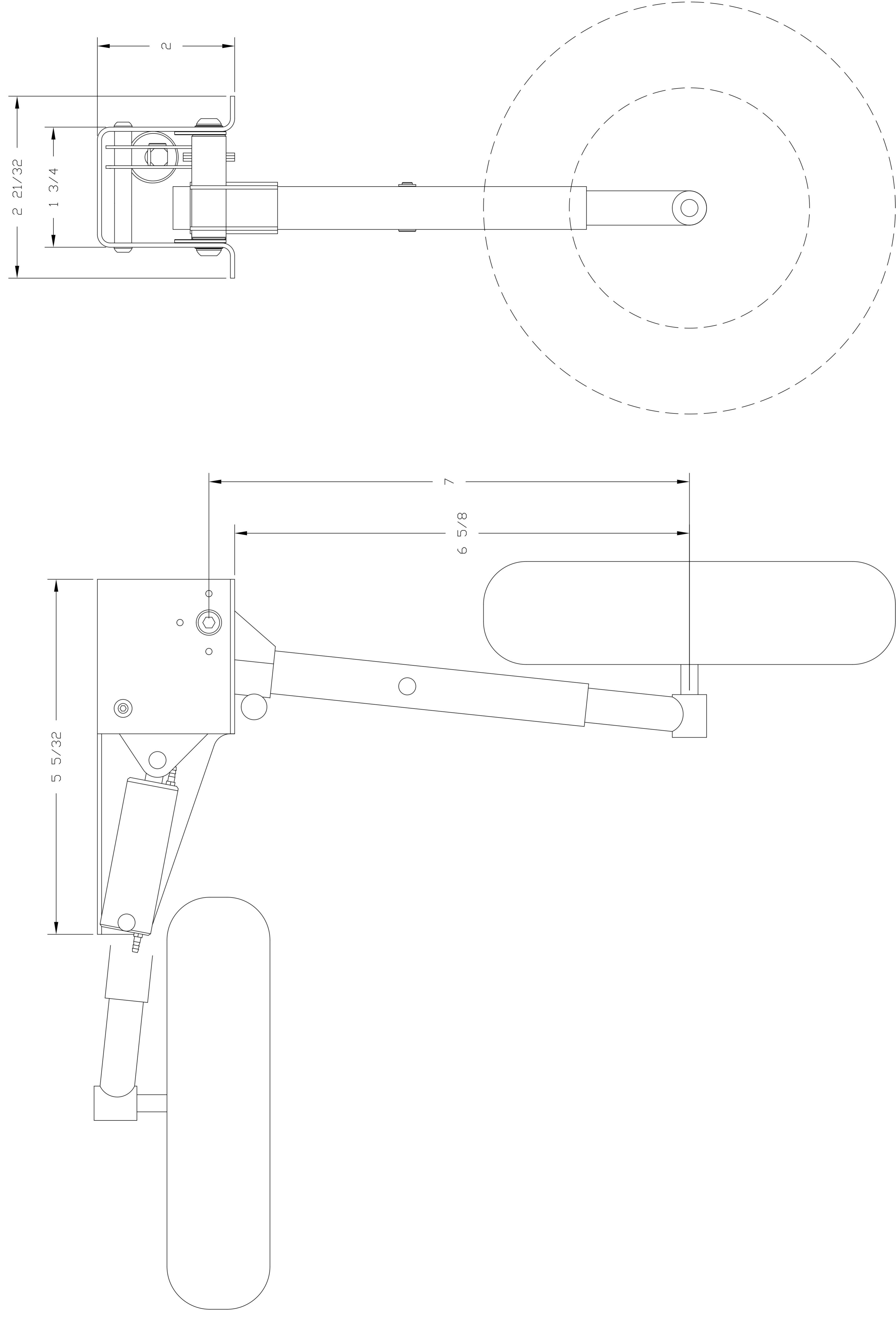


TOP VIEW



FRONT VIEW LEFT SIDE

SIDE VIEW

1/5 SCALE DAUNTLESS MAIN GEAR
ZIROLI PLANS

TOLERANCES
(EXCEPT AS NOTED)

SCALE 1=1

ROBART MFG. INC.
805 N. 17th ST.
ST. CHARLES IL.

DECIMAL

Dr. BY RLW

FRACTIONAL

DATE 7-2-96

ANGULAR

CHK'D BY

TITLE SBD MAIN GEAR

APPR'D

DRAWING No. SBD-100A

REV.

THIS DRAWING ITS CONTENTS AND INFORMATION, ARE CONFIDENTIAL, AND THE PROPERTY OF ROBART MFG. INC. IT MAY NOT BE USED, COPIED, AND / OR TRANSMITTED TO ANY PERSON, FIRM, OR CORPORATION WITHOUT THE PRIOR WRITTEN APPROVAL OF ROBART MFG. INC.