

1/2" DIA. STRUT
DOWN & LOCKED POSITION

7.125000
90°

IF NEEDED, STRUTS MAY BE CUT SHORTER


CAUTION! SPRING LOADED PARTS COMPRESS STRUT AND REMOVE LOWER "OLED" PRIOR TO CUTTING UPPER STRUT TUBE TO LENGTH

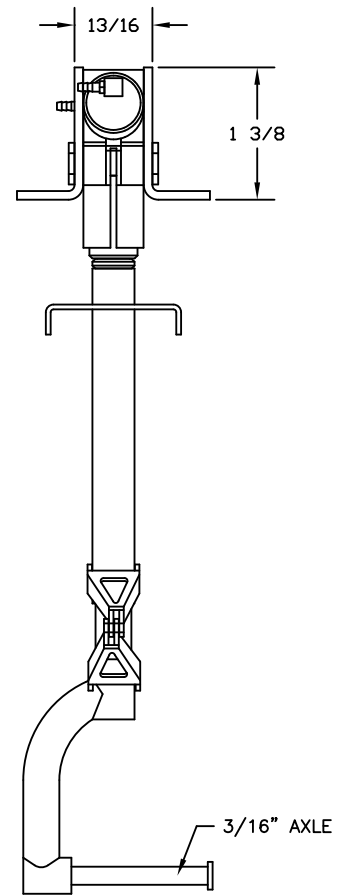
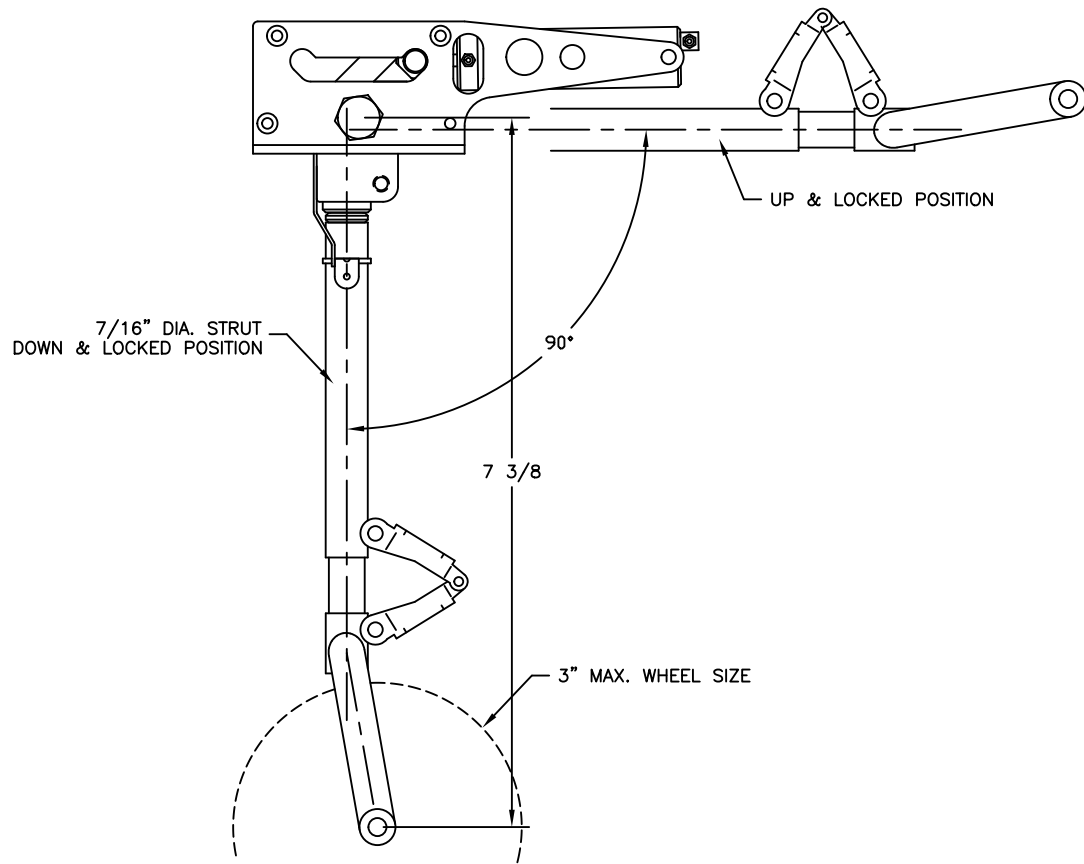
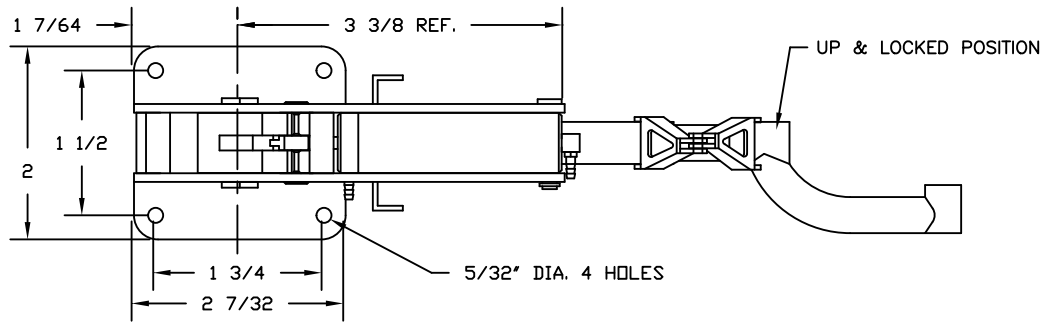
1/4" AXLE

HOTSPOT SPORT JET

THIS DRAWING ITS CONTENTS AND INFORMATION, ARE CONFIDENTIAL, AND THE PROPERTY OF ROBERT MFG. INC. IT MAY NOT BE USED, COPIED, AND / OR TRANSMITTED TO ANY PERSON, FIRM, OR CORPORATION WITHOUT THE PRIOR WRITTEN APPROVAL OF ROBERT MFG. INC.

TOLERANCES (EXCEPT AS NOTED)	SCALE 1 : 1
DECIMAL ±.001 = ±0.010 ±.002 = ±0.005 ±.003 = ±0.0005	DRAWN BY LKS
FRACTIONAL	DATE 7/10/00
ANGULAR	CHK'D BY
	APP'D

	MFG. INC. 625 N. 12TH ST. ST. CHARLES, IL
TITLE 90° RETRACT ASSEMBLY STRAIGHT OLED RAM	
DRAWING No.	REV.
HOT-000M	



HOTSPOT SPORT JET

THIS DRAWING ITS CONTENTS AND INFORMATION, ARE CONFIDENTIAL, AND THE PROPERTY OF ROBERT MFG. INC. IT MAY NOT BE USED, COPIED, AND / OR TRANSMITTED TO ANY PERSON, FIRM, OR CORPORATION WITHOUT THE PRIOR WRITTEN APPROVAL OF ROBERT MFG. INC.



MFG. INC.
625 N. 12TH ST.
ST. CHARLES, IL

TITLE
NOSE RETRACT
ASSEMBLY

DRAWING No.
HOT-000N

REV.