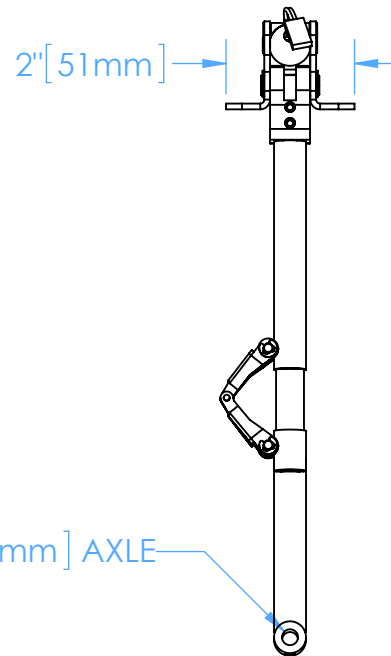
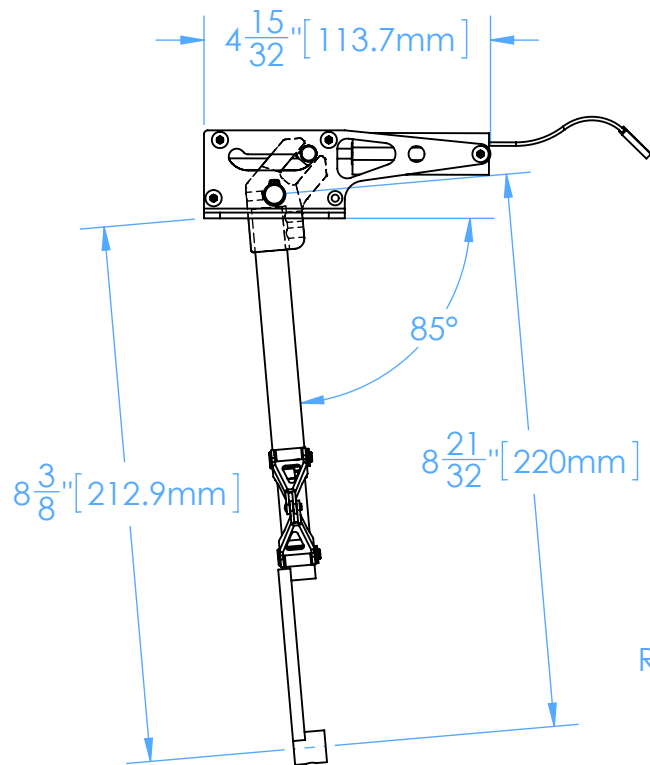
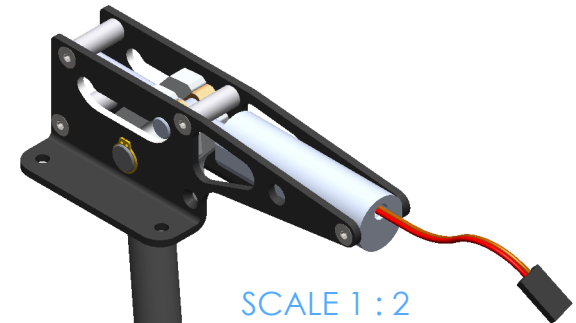
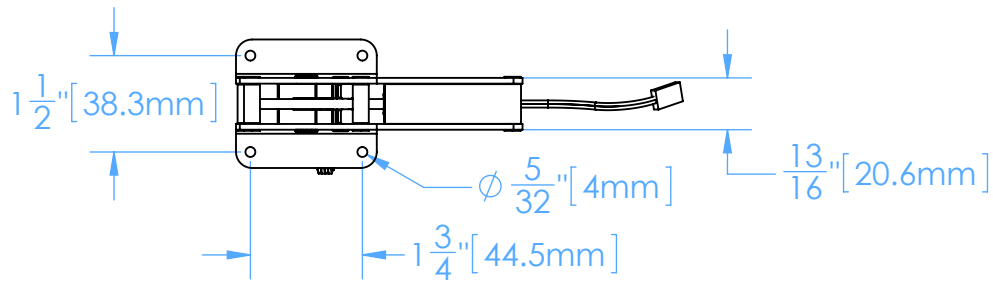


REVISIONS			
REV.	DESCRIPTION	DATE	APPROVED
-	INITIAL RELEASE	3/25/15	NM



ROBART MFG
 TITLE:
HANGAR 9 P47E MAIN GEAR DIM DETAILS

UNITS:
 INCH [mm]

PROPRIETARY AND CONFIDENTIAL THE INFORMATION CONTAINED IN THIS DRAWING IS THE SOLE PROPERTY OF ROBART MANUFACTURING. ANY REPRODUCTION IN PART OR AS A WHOLE WITHOUT THE WRITTEN PERMISSION OF ROBART MANUFACTURING IS PROHIBITED.	UNLESS OTHERWISE SPECIFIED: DIMENSIONS ARE IN INCHES TOLERANCES: FRACTIONAL ± 1/32 ANGULAR: MACH ± BEND ± TWO PLACE DECIMAL ±0.01 THREE PLACE DECIMAL ±0.005 FOUR PLACE DECIMAL ±0.0005	DRAWN	NAME	DATE
		CHECKED	N.MARC	1JUL14
		MFG APPR.		
		Q.A.		

SIZE	DWG. NO.	REV
A	HA9P47E DIM	-
SCALE: 1:3		SHEET 1 OF 1