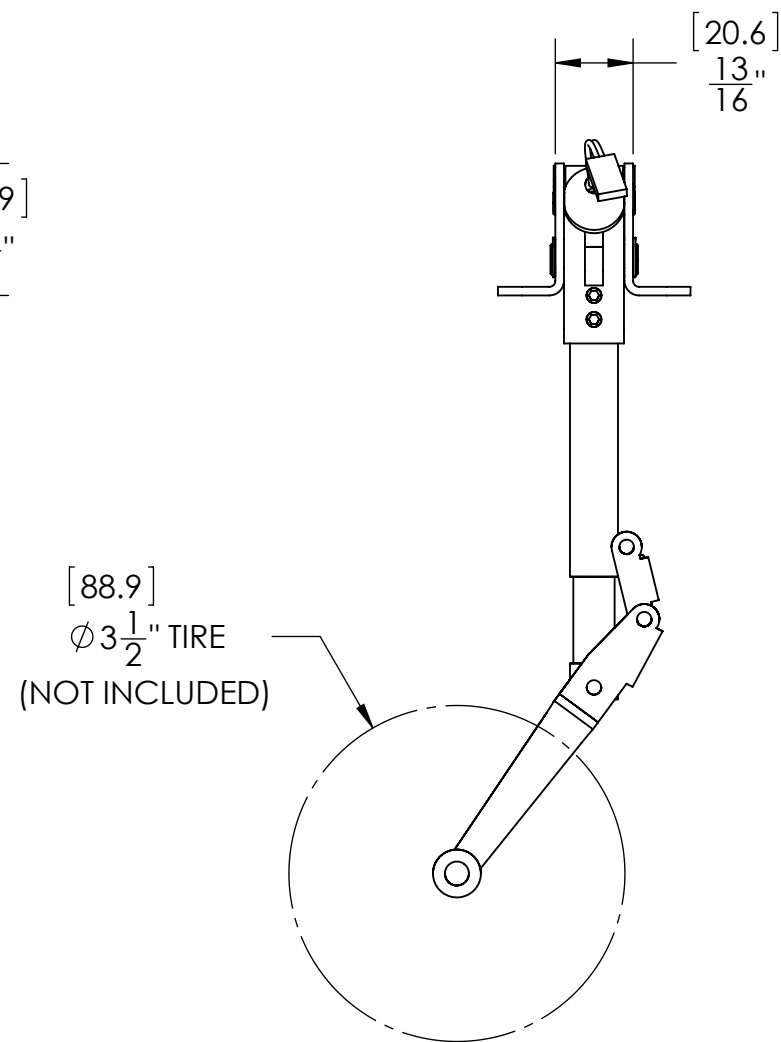
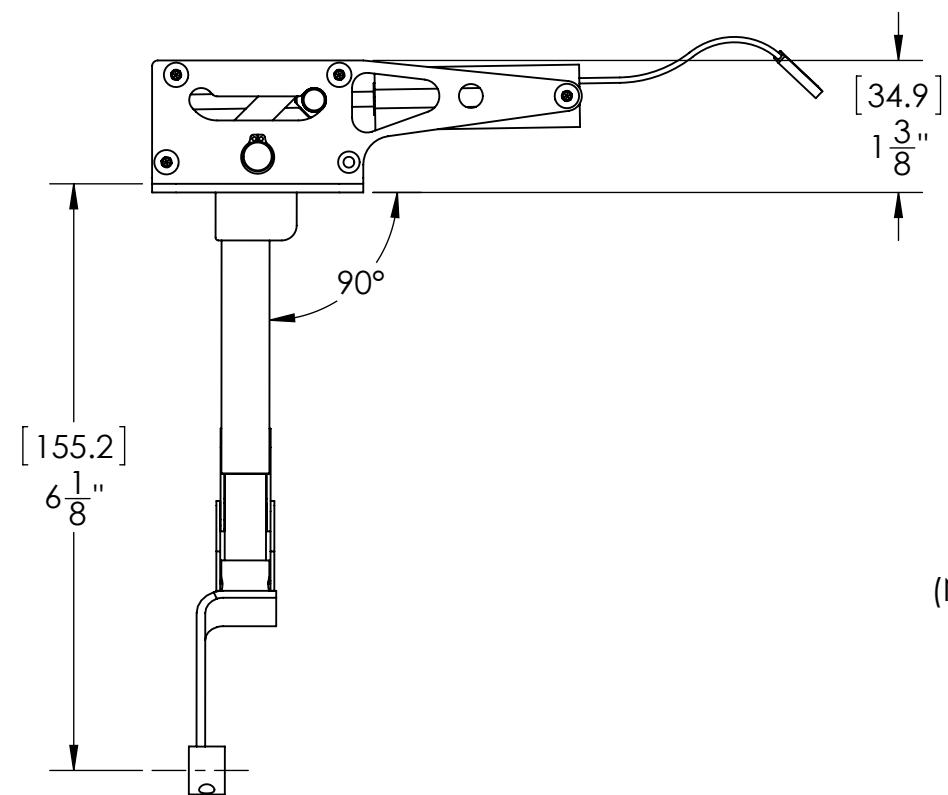
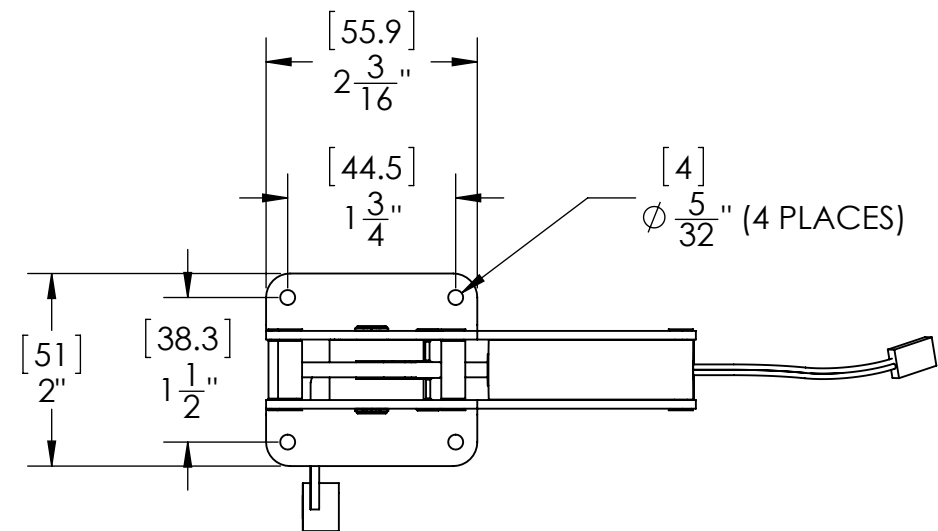


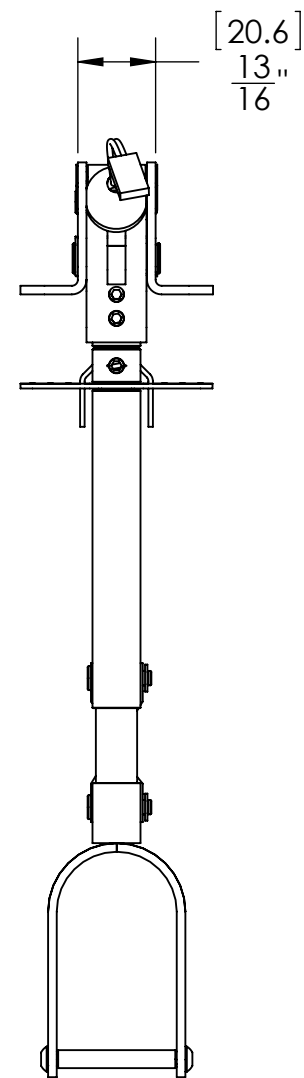
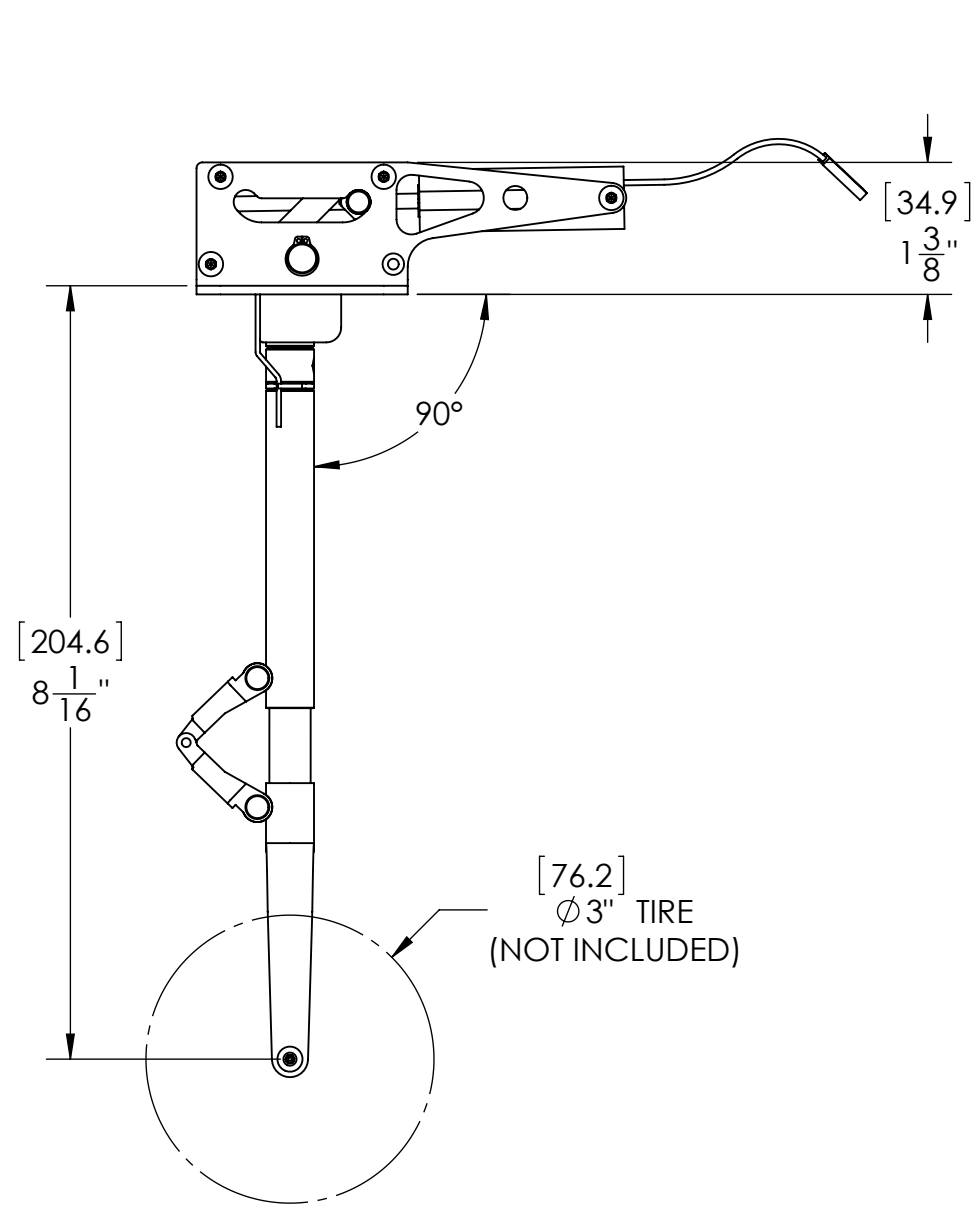
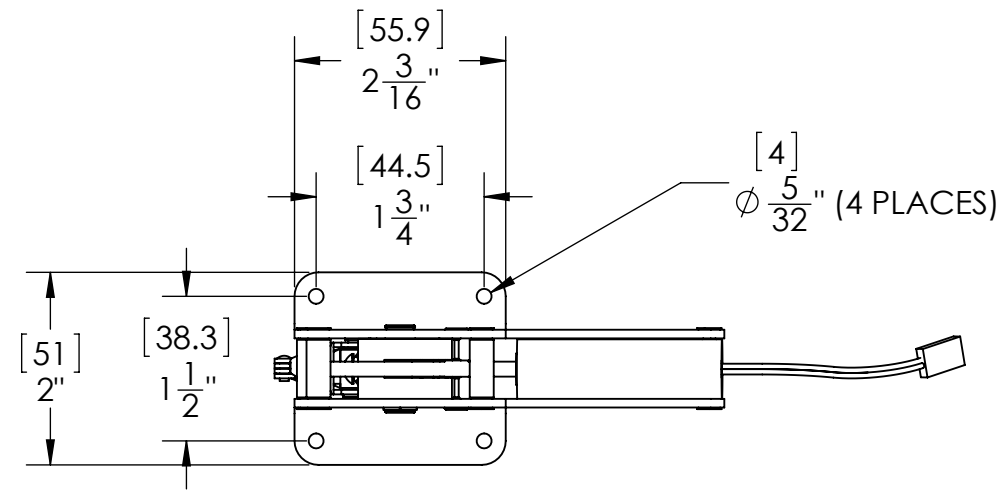
REVISIONS			
REV.	DESCRIPTION	DATE	APPROVED
-	PROTOTYPE RELEASE	05DEC13	JR



ROBART MFG.		
TITLE: ESM PC-21 MAIN GEAR		
SIZE B	DWG. NO. ESM PC-21	REV -
SCALE: 1:2	WEIGHT:	SHEET 1 OF 2

PROPRIETARY AND CONFIDENTIAL	UNLESS OTHERWISE SPECIFIED:	NAME	DATE
THE INFORMATION CONTAINED IN THIS DRAWING IS THE SOLE PROPERTY OF ROBART MANUFACTURING. ANY REPRODUCTION IN PART OR AS A WHOLE WITHOUT THE WRITTEN PERMISSION OF ROBART MANUFACTURING IS PROHIBITED.	DIMENSIONS ARE IN INCHES	DRAWN	J. REHAK
	TOLERANCES:	CHECKED	05DEC13
	FRACTIONAL $\pm 1/32$	MFG APPR.	
	ANGULAR: MACH $\pm 1^\circ$ BEND $\pm 1^\circ$	Q.A.	
	TWO PLACE DECIMAL ± 0.01		
	THREE PLACE DECIMAL ± 0.005		
	FOUR PLACE DECIMAL ± 0.0005		

REVISIONS			
REV.	DESCRIPTION	DATE	APPROVED
-	PROTOTYPE RELEASE	05DEC13	JR



PROPRIETARY AND CONFIDENTIAL THE INFORMATION CONTAINED IN THIS DRAWING IS THE SOLE PROPERTY OF ROBERT MANUFACTURING. ANY REPRODUCTION IN PART OR AS A WHOLE WITHOUT THE WRITTEN PERMISSION OF ROBERT MANUFACTURING IS PROHIBITED.	UNLESS OTHERWISE SPECIFIED:		NAME	DATE	ROBERT MFG.		
	DIMENSIONS ARE IN INCHES	DRAWN	J. REHAK	05DEC13	TITLE:		
	TOLERANCES:	CHECKED			ESM PC-21		
	FRACTIONAL ± 1/32	MFG APPR.			NOSE GEAR		
ANGULAR: MACH ± 1° BEND ± 1°	Q.A.				SIZE	DWG. NO.	REV
TWO PLACE DECIMAL ± 0.01					B	ESM PC-21	-
THREE PLACE DECIMAL ± 0.005					SCALE: 1:2	WEIGHT:	SHEET 1 OF 2
FOUR PLACE DECIMAL ± 0.0005							