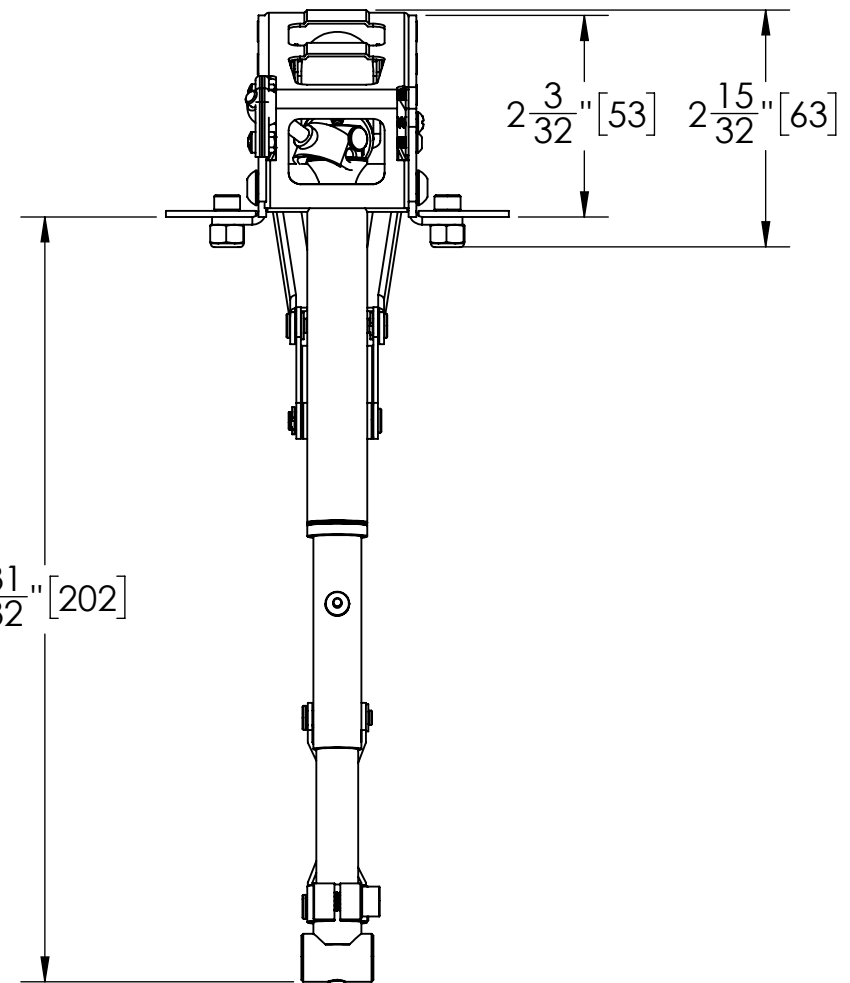
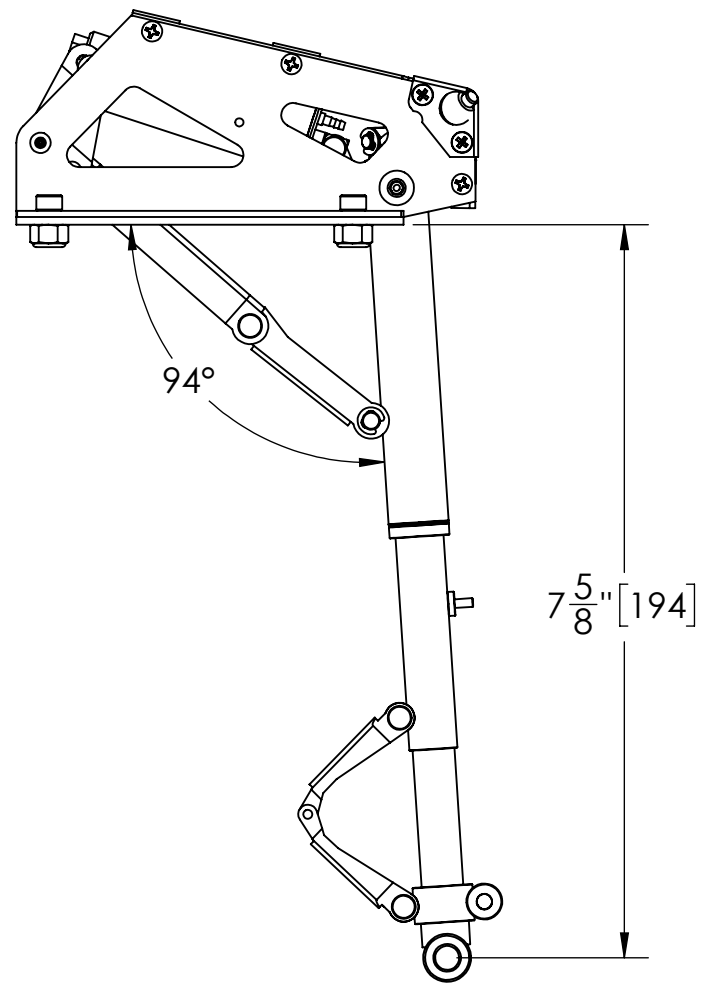
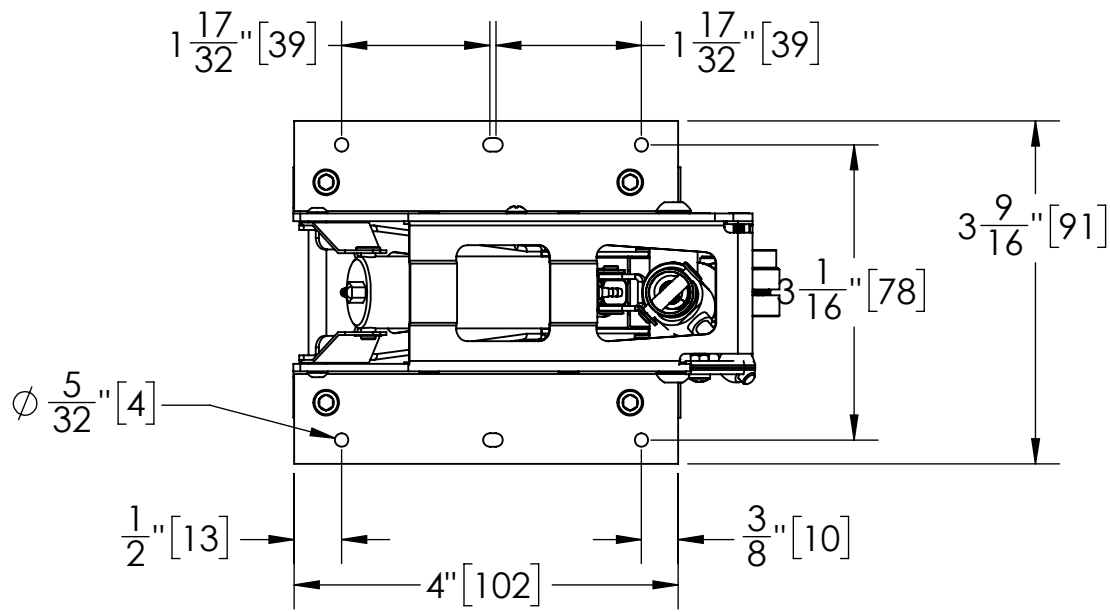


REVISIONS			
REV.	DESCRIPTION	DATE	APPROVED
A	MATCHED TO ELECTRIC	4/3/15	NM
B	MATCHED TO ACTUAL	12/7/2016	BGM



UNITS:
INCH [mm]

ROBART MFG.		
TITLE: ESM CORSAIR 85 OPERATIONAL DETAILS		
SIZE B	DWG. NO. ESMC85 DIM	REV B
SCALE: 1:2	WEIGHT:	SHEET 1 OF 1

PROPRIETARY AND CONFIDENTIAL THE INFORMATION CONTAINED IN THIS DRAWING IS THE SOLE PROPERTY OF ROBART MANUFACTURING. ANY REPRODUCTION IN PART OR AS A WHOLE WITHOUT THE WRITTEN PERMISSION OF ROBART MANUFACTURING IS PROHIBITED.	UNLESS OTHERWISE SPECIFIED: DIMENSIONS ARE IN INCHES TOLERANCES: FRACTIONAL ± 1/32 ANGULAR: MACH ± 1° BEND ± 1° TWO PLACE DECIMAL ± 0.01 THREE PLACE DECIMAL ± 0.005 FOUR PLACE DECIMAL ± 0.0005	DRAWN N.MARC 22MAY14	NAME N.MARC	DATE 22MAY14
		CHECKED		
		MFG APPR.		
		Q.A.		