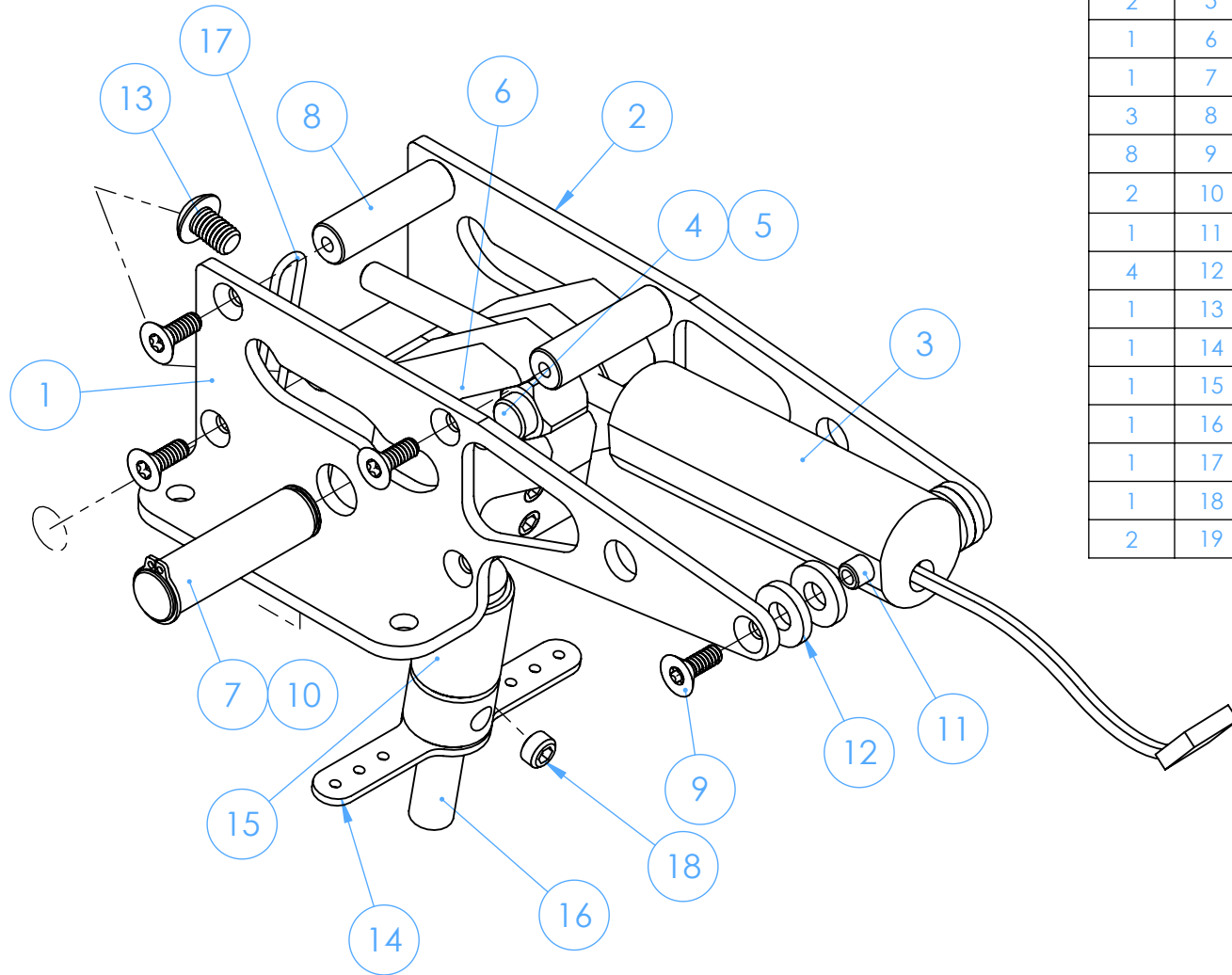


NOTE: CONTROL BOX SHOULD BE SET TO "TYPE B"
FOR PROPER OPERATION



SPARE PARTS LIST

QTY.	ITEM NO.	DESCRIPTION	PART NUMBER
1	1	100 DEG FRAME (LH)	630015M
1	2	100 DEG FRAME (RH)	630016M
1	3	630 SERIES ACTUATOR	630E102A
1	4	ACTUATOR CAM PIN	635E-006M
2	5	CAM FOLLOWER	635007M
1	6	MAIN GEAR TRUNION	635002M
1	7	TRUNION PIN	635010M
3	8	FRAME SPACER	635008M
8	9	4-40 X 5/16 TORX FMS ZINC	1065F
2	10	PIVOT PIN RETAINING RING	1132F
1	11	5/32 FRAME SPACER	635021M
4	12	NYLON SPACER - BLACK	1203F
1	13	#8-32 X 1/4" BHSMS	1133F
1	14	STEERING ARM	WB25204A
1	15	STEERING BUSHING	WB25211M
1	16	STEERING PIN	145133M
1	17	STEERING WIRE	630021M
1	18	#10-32 X 3/16 SET SCREW	1145F
2	19	#10-32 X 5/16" SET SCREW	1077F

906-472M

PROPRIETARY AND CONFIDENTIAL
THE INFORMATION CONTAINED IN THIS DRAWING IS THE SOLE
PROPERTY OF ROBERT MANUFACTURING. ANY REPRODUCTION
IN PART OR AS A WHOLE WITHOUT THE WRITTEN PERMISSION OF
ROBERT MANUFACTURING IS PROHIBITED.

	NAME	DATE
DRAWN	J.REHAK	15APR14
CHECKED		

robert
www.robart.com

625 N. 12TH ST.
ST. CHARLES, IL 60174
PH: 630-584-7616
FX: 630-584-3712

TITLE:

100° HD NOSE RETRACT
ELECTRIC SERIES

639HDRSESP

REV -