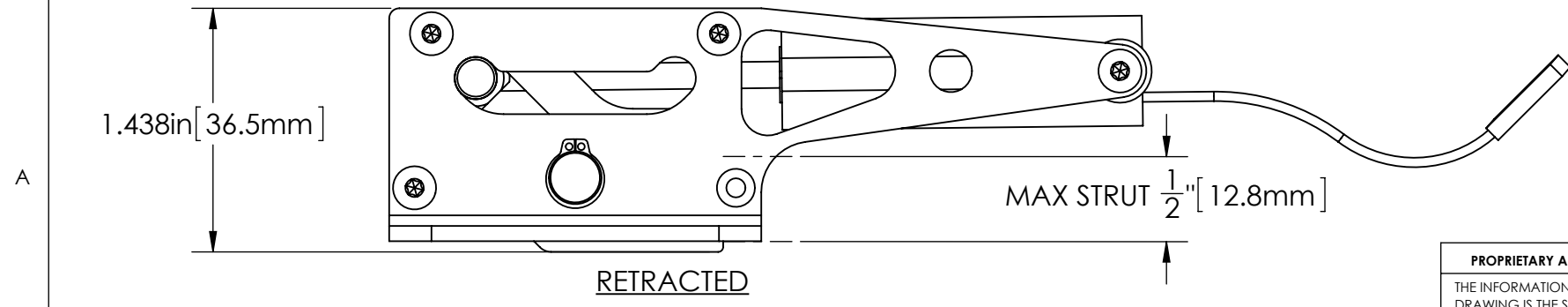
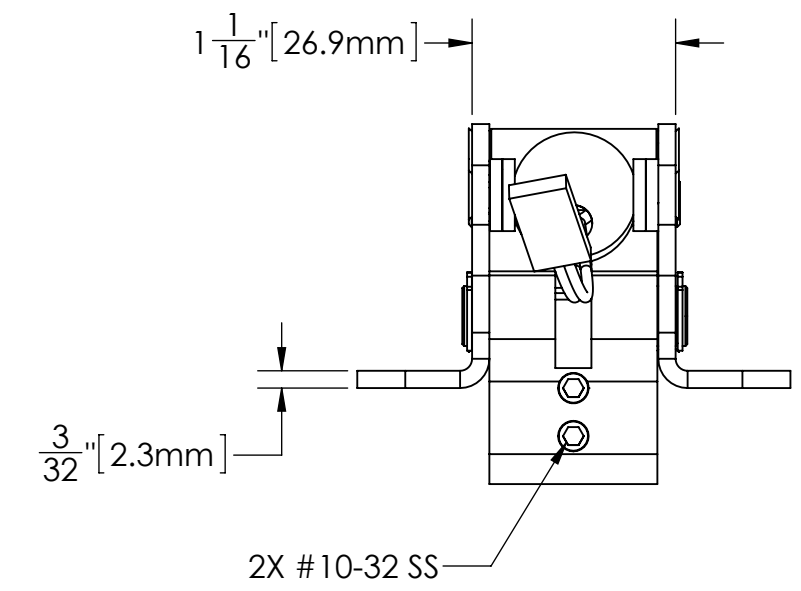
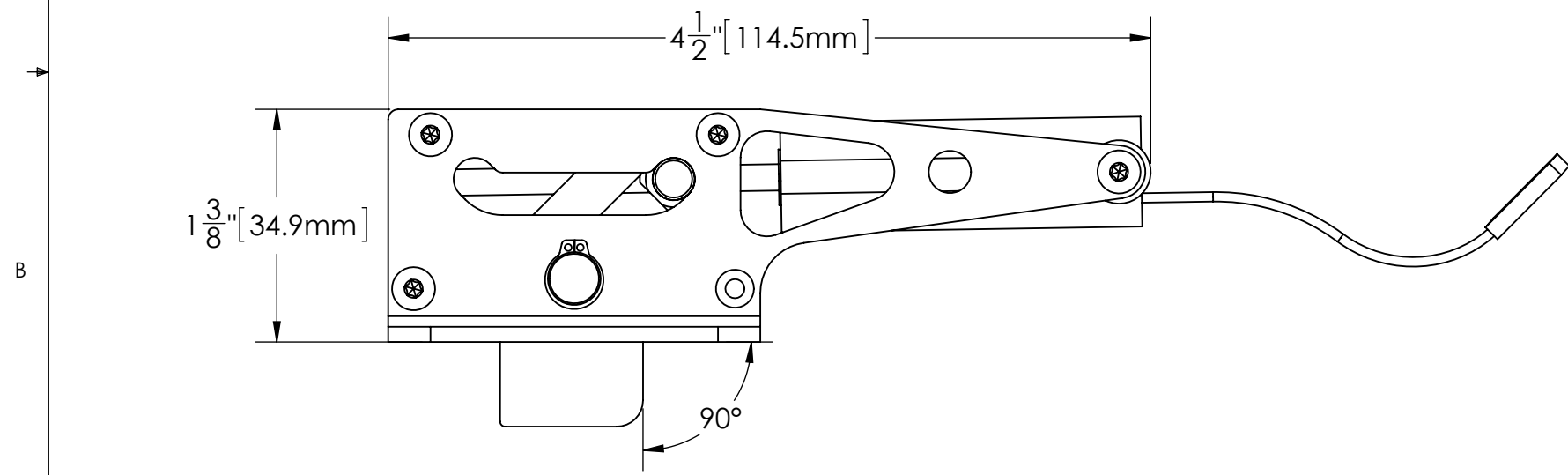
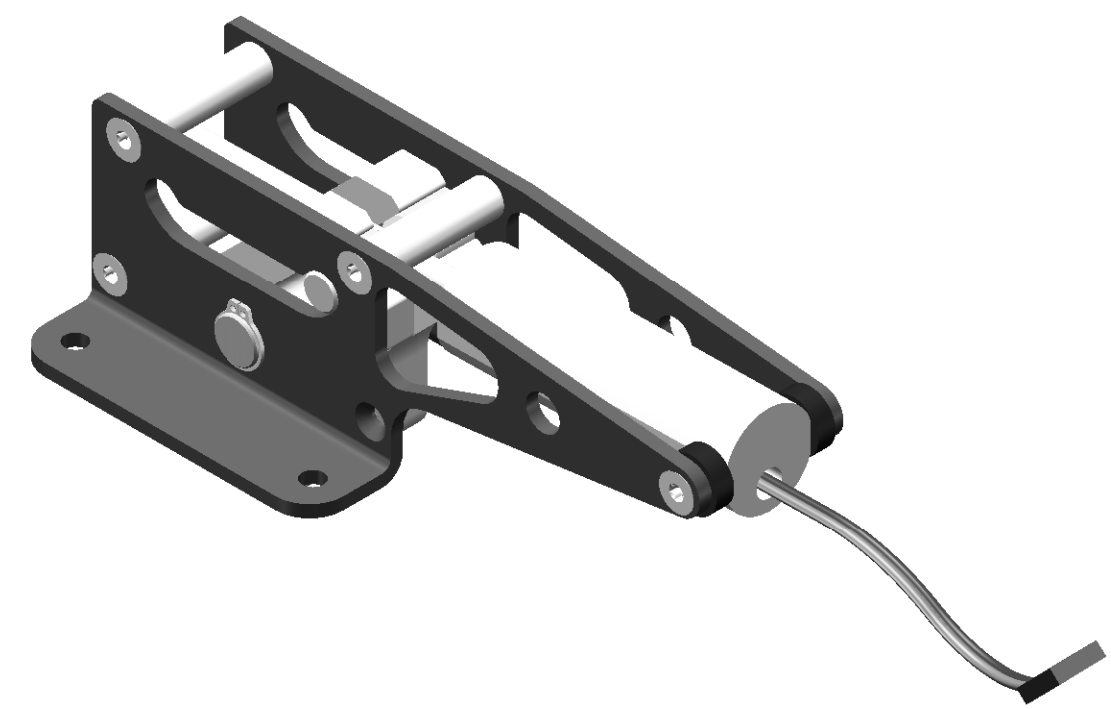
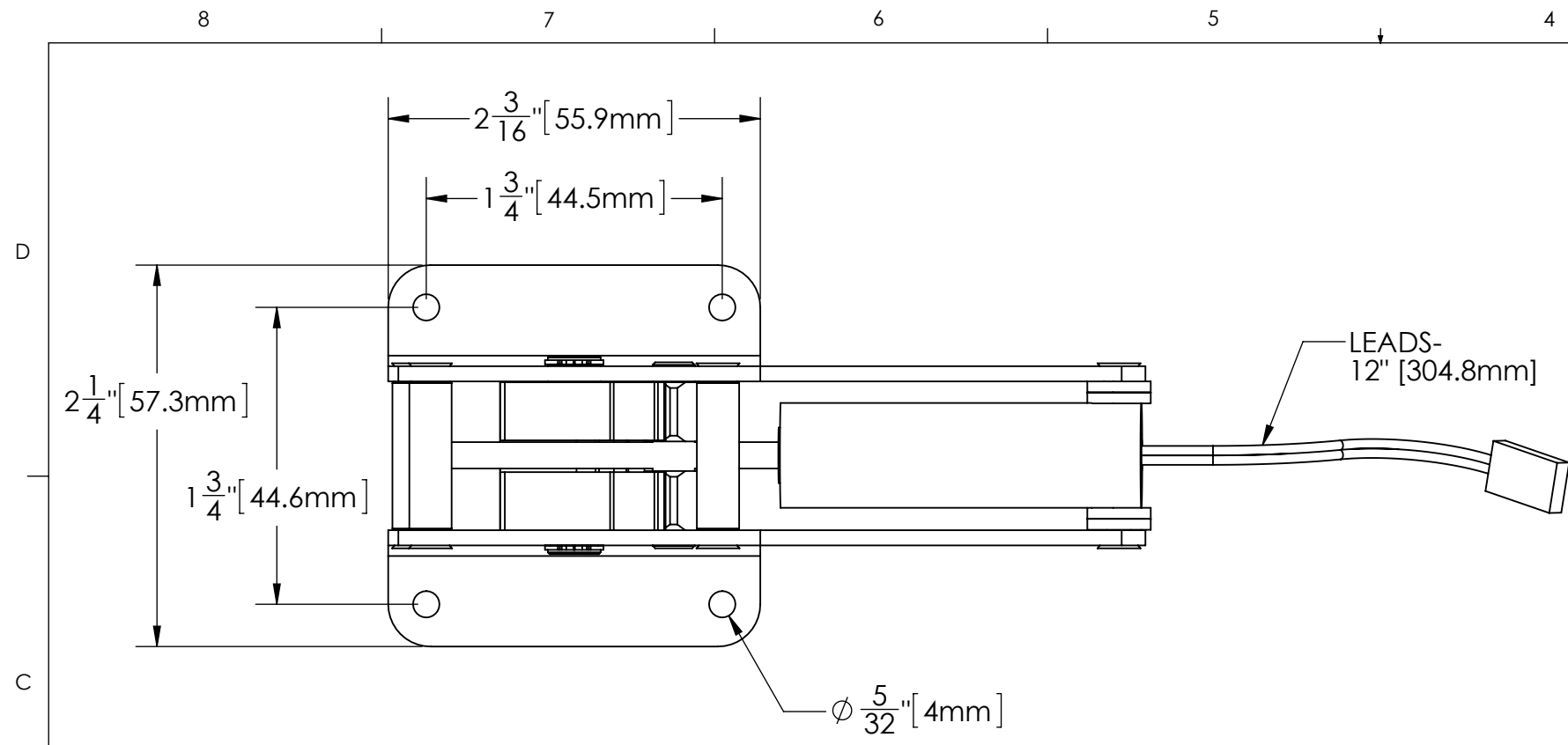


REVISIONS			
REV.	DESCRIPTION	DATE	APPROVED



UNITS:
INCH [mm]

ROBART MFG.		
TITLE: DIMENSIONAL DETAIL 635RSE		
SIZE B	DWG. NO. 635RSE DIM	REV -
SCALE: 1:1	WEIGHT:	SHEET 1 OF 1

PROPRIETARY AND CONFIDENTIAL	UNLESS OTHERWISE SPECIFIED:		NAME	DATE
THE INFORMATION CONTAINED IN THIS DRAWING IS THE SOLE PROPERTY OF ROBART MANUFACTURING. ANY REPRODUCTION IN PART OR AS A WHOLE WITHOUT THE WRITTEN PERMISSION OF ROBART MANUFACTURING IS PROHIBITED.	DIMENSIONS ARE IN INCHES	DRAWN	N.MARC	21JUL14
	TOLERANCES:	CHECKED		
	FRACTIONAL ± 1/32	MFG APPR.		
	ANGULAR: MACH ± 1° BEND ± 1°	Q.A.		
	TWO PLACE DECIMAL ± 0.01			
	THREE PLACE DECIMAL ± 0.005			
	FOUR PLACE DECIMAL ± 0.0005			