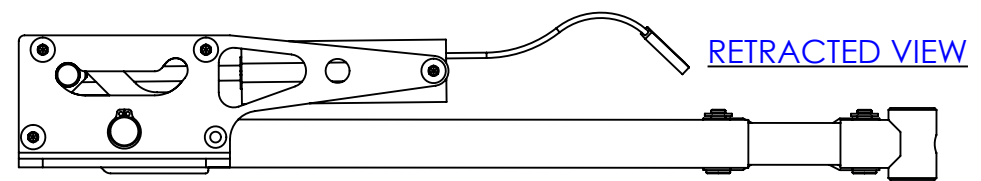
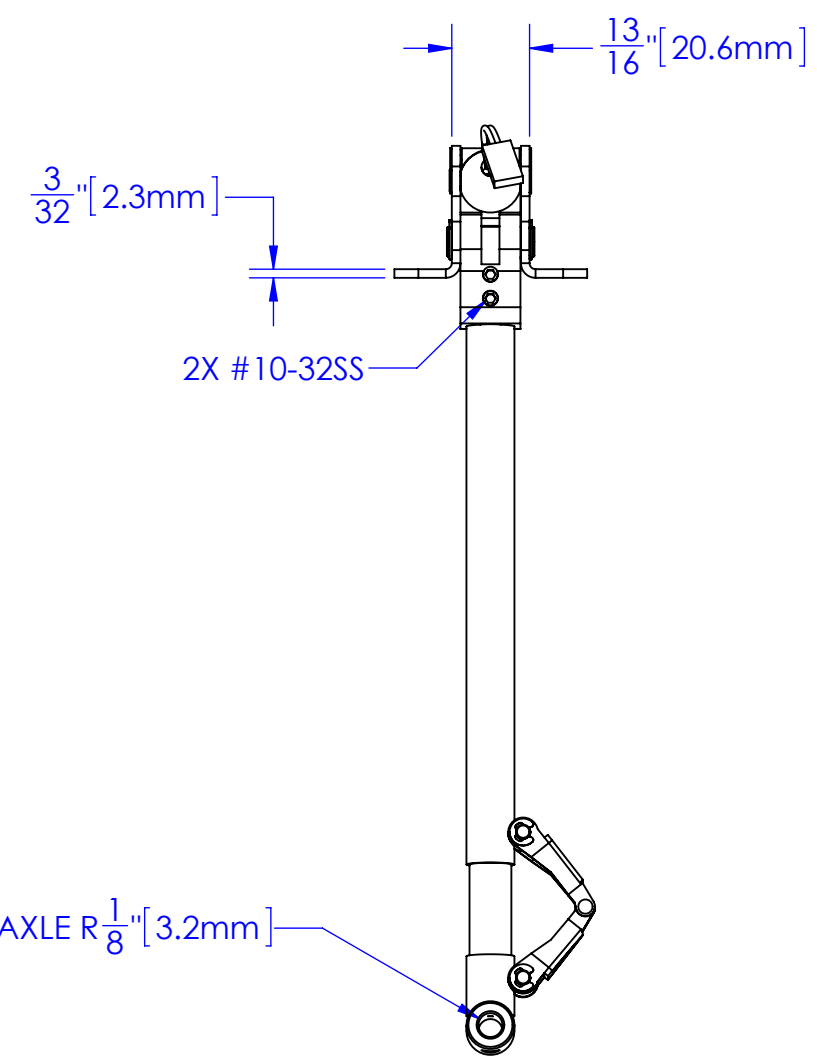
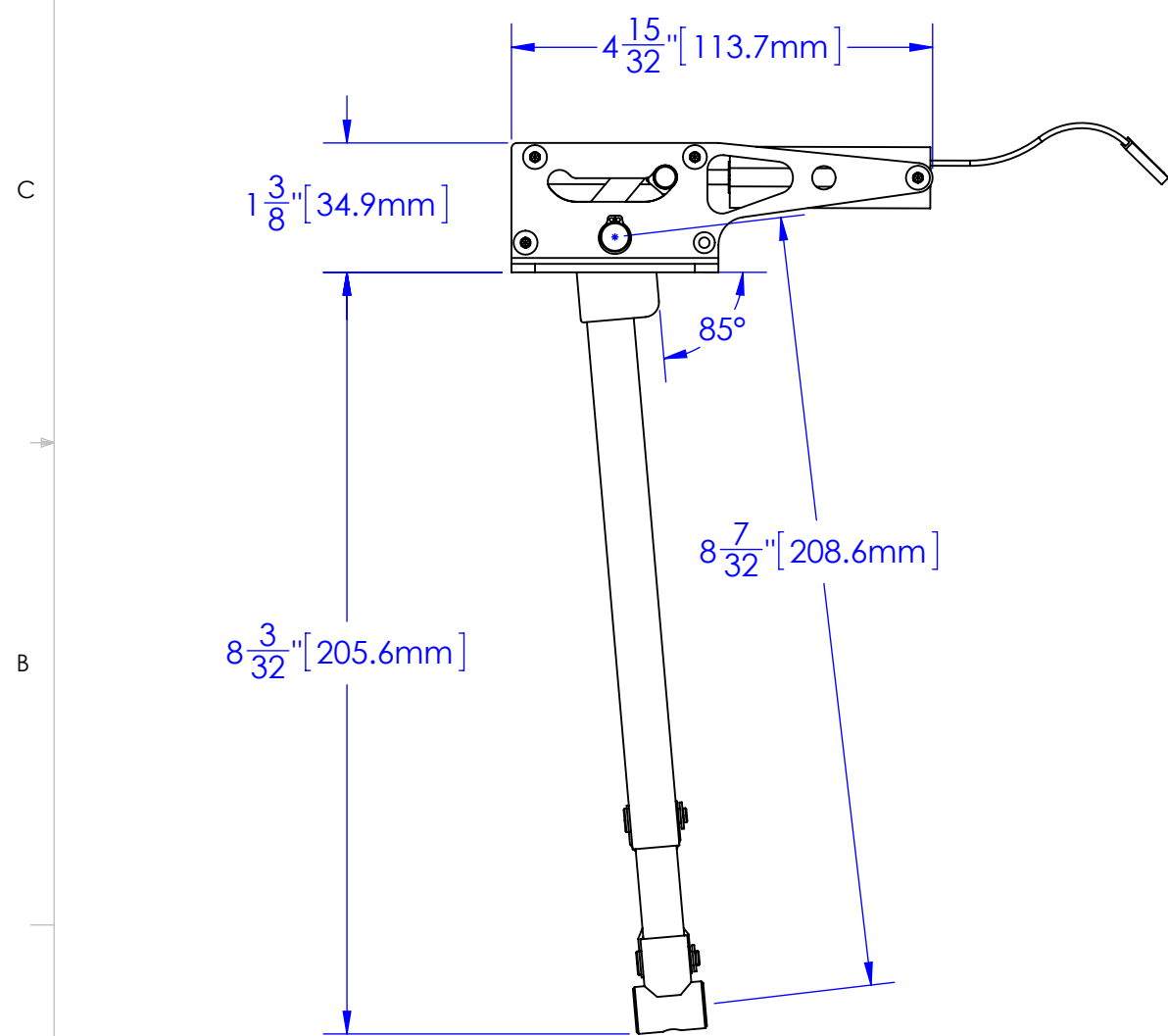
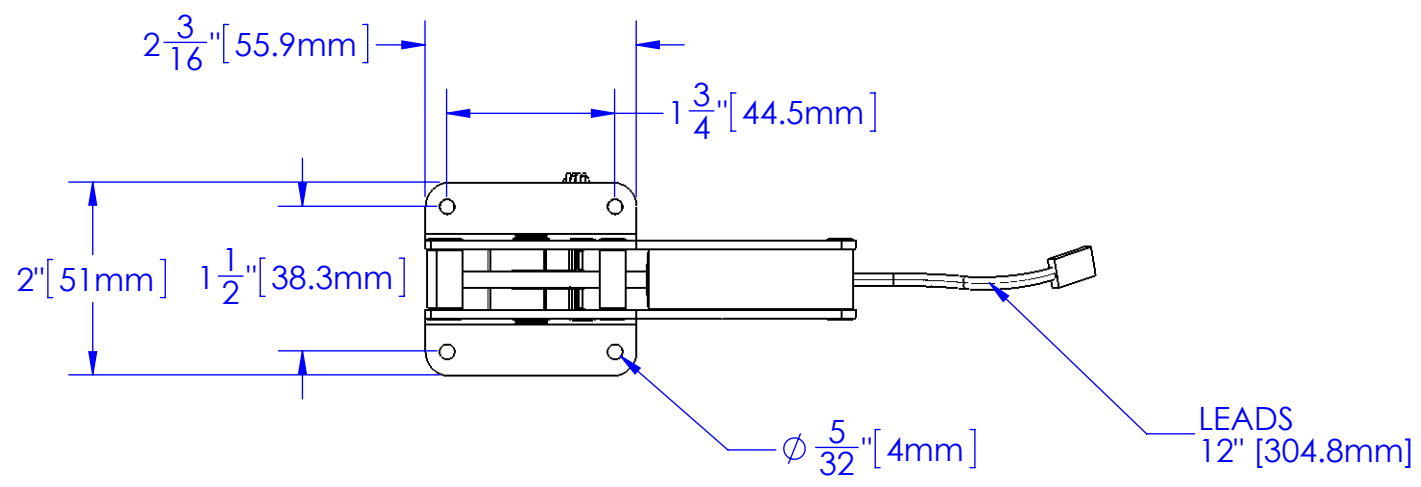


REVISIONS			
REV.	DESCRIPTION	DATE	APPROVED



UNITS:
INCH [mm]

LH SHOWN

PROPRIETARY AND CONFIDENTIAL THE INFORMATION CONTAINED IN THIS DRAWING IS THE SOLE PROPERTY OF ROBERT MANUFACTURING. ANY REPRODUCTION IN PART OR AS A WHOLE WITHOUT THE WRITTEN PERMISSION OF ROBERT MANUFACTURING IS PROHIBITED.	UNLESS OTHERWISE SPECIFIED:		NAME	DATE	ROBERT MFG.	
	DIMENSIONS ARE IN INCHES	DRAWN	N.MARC	4SEP14	TITLE:	
	TOLERANCES:	CHECKED			DIMENSIONAL DETAILS	
	FRACTIONAL $\pm 1/32$	MFG APPR.			631 HANGAR 9 P51E	
ANGULAR: MACH $\pm 1^\circ$	Q.A.			SIZE	DWG. NO.	REV
TWO PLACE DECIMAL ± 0.01				B	631HA9P51E DIM	-
THREE PLACE DECIMAL ± 0.005				SCALE: 1:2	WEIGHT:	SHEET 1 OF 1
FOUR PLACE DECIMAL ± 0.0005						