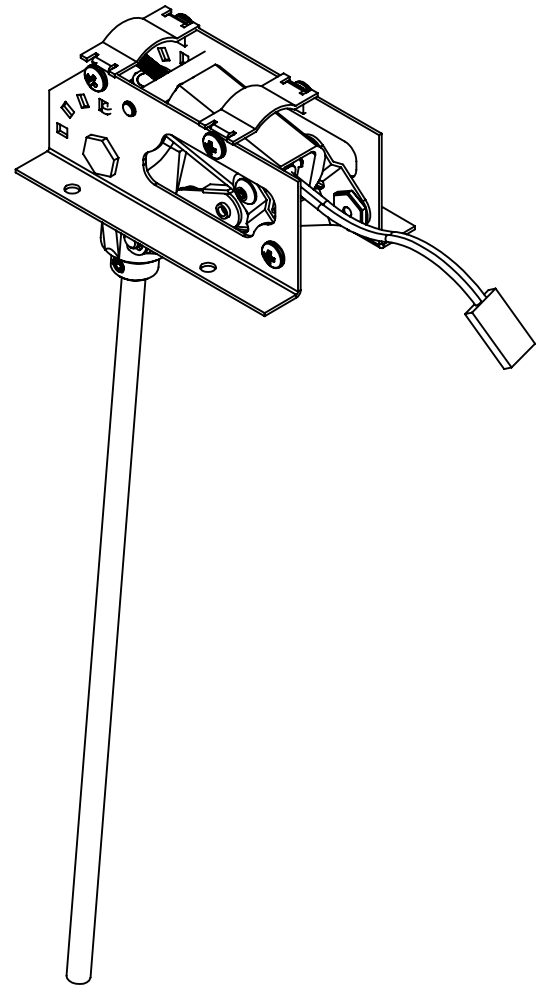
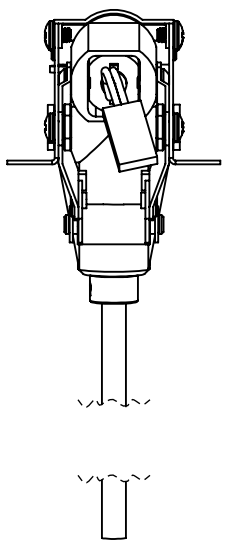
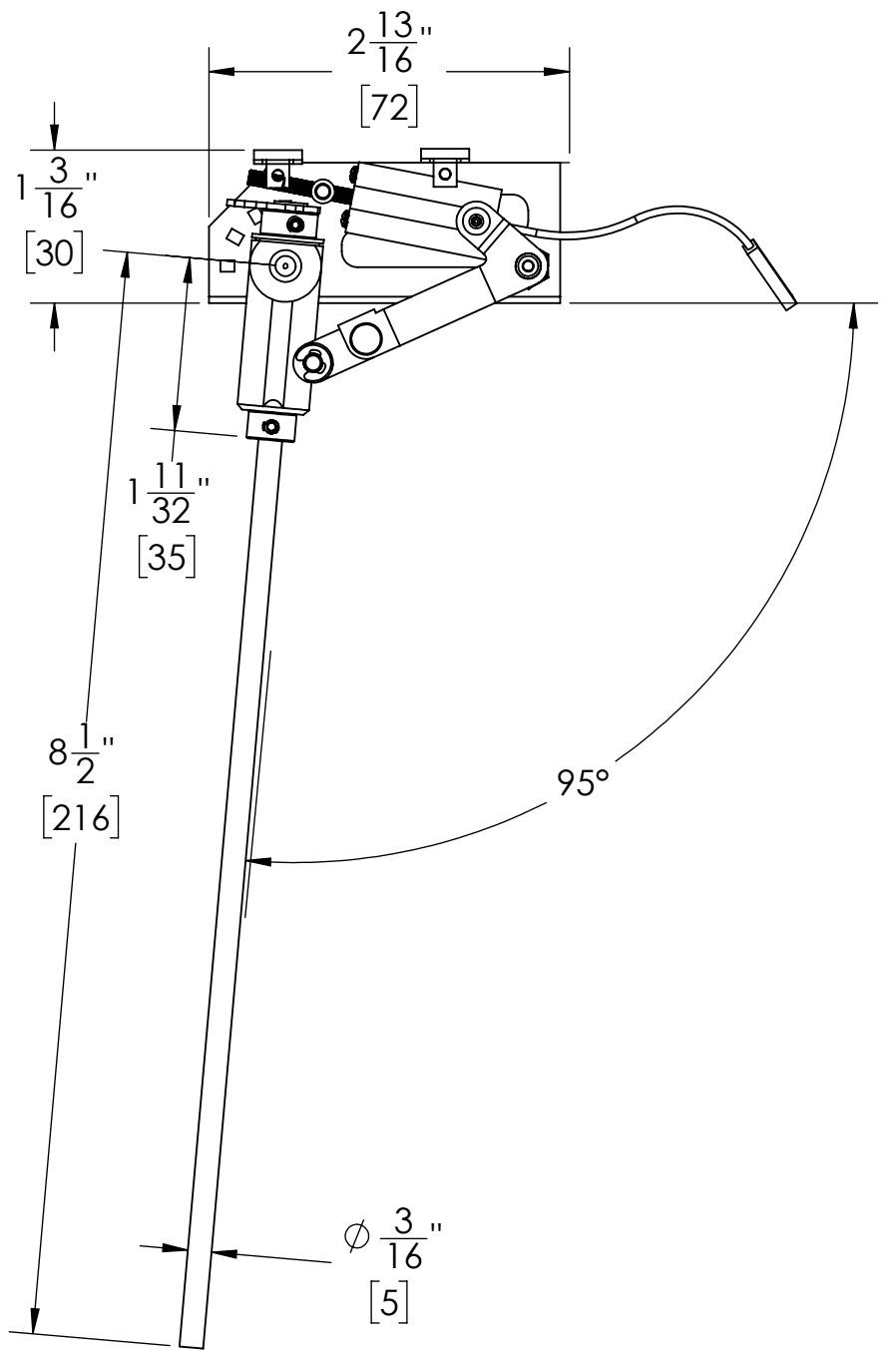
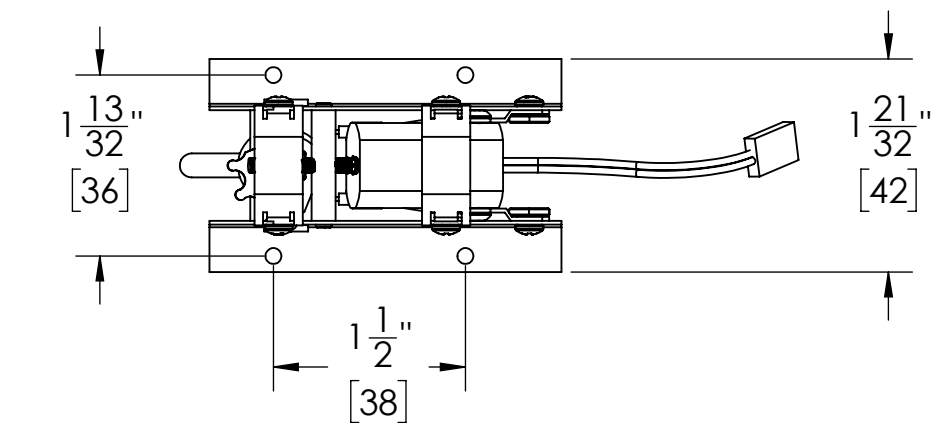


REVISIONS			
REV.	DESCRIPTION	DATE	APPROVED
-	RELEASED FOR PRODUCTION	3/31/17	BGM



**UNTIS
INCH (mm)**

PROPRIETARY AND CONFIDENTIAL THE INFORMATION CONTAINED IN THIS DRAWING IS THE SOLE PROPERTY OF ROBART MANUFACTURING. ANY REPRODUCTION IN PART OR AS A WHOLE WITHOUT THE WRITTEN PERMISSION OF ROBART MANUFACTURING IS PROHIBITED.	UNLESS OTHERWISE SPECIFIED:		NAME	DATE
	DIMENSIONS ARE IN INCHES	DRAWN	B.METZ	3/31/17
	TOLERANCES:	CHECKED		
	FRACTIONAL: $\pm 1/32$	MFG APPR.		
ANGULAR: MACH $\pm 1^\circ$	Q.A.			
TWO PLACE DECIMAL ± 0.01				
THREE PLACE DECIMAL ± 0.005				
FOUR PLACE DECIMAL ± 0.0005				

robart MFG. INC. 625 N. 12TH STREET ST. CHARLES, IL. ROBART.COM

TITLE:
**615 ROTATING
ELECTRIC MAIN GEAR**

SIZE	DWG. NO.	REV
B	615EDIM	-

SCALE: 2:3 WEIGHT: SHEET 1 OF 1