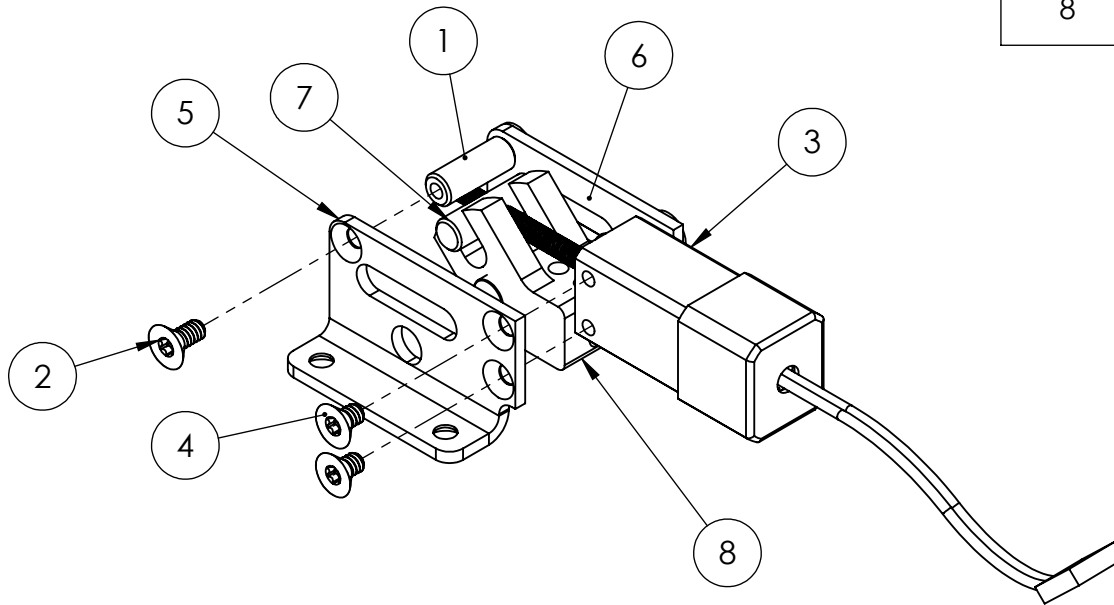


SPARE PARTS			
ITEM NO.	QTY.	DESCRIPTION	PART NUMBER
1	1	FRAME SPACER	580206M
2	2	#4-40 X 1/4" TORX FMS ZINC	1065F
3	1	TAIL ACTUATOR	125E108A
4	4	4-40 X 3/16 TORX FMS ZINC	1181F
5	1	90° SMALL FRAME (RH)	612E001P
6	1	90° SMALL FRAME (LH)	612E002P
7	1	CAM PIN	580210M
8	1	PIVOT PIN TRUNION ASSEMBLY	612E112A



robart MFG. INC. 625 N. 12TH STREET
ST. CHARLES, IL. ROBERT.COM

TITLE:
**SMALL SCALE ELECTRIC
RETRACT**

SIZE	DWG. NO.	REV
A	612ESP	-

PROPRIETARY AND CONFIDENTIAL			
THE INFORMATION CONTAINED IN THIS DRAWING IS THE SOLE PROPERTY OF ROBERT MANUFACTURING. ANY REPRODUCTION IN PART OR AS A WHOLE WITHOUT THE WRITTEN PERMISSION OF ROBERT MANUFACTURING IS PROHIBITED.			
DRAWN	B.METZ	3/31/2017	
CHECKED			

SCALE: 1:2 SHEET 1 OF 1

906-536M

5 4 3 2 1