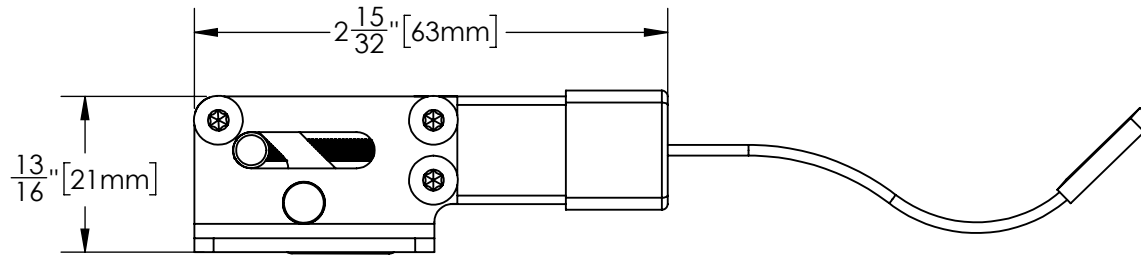
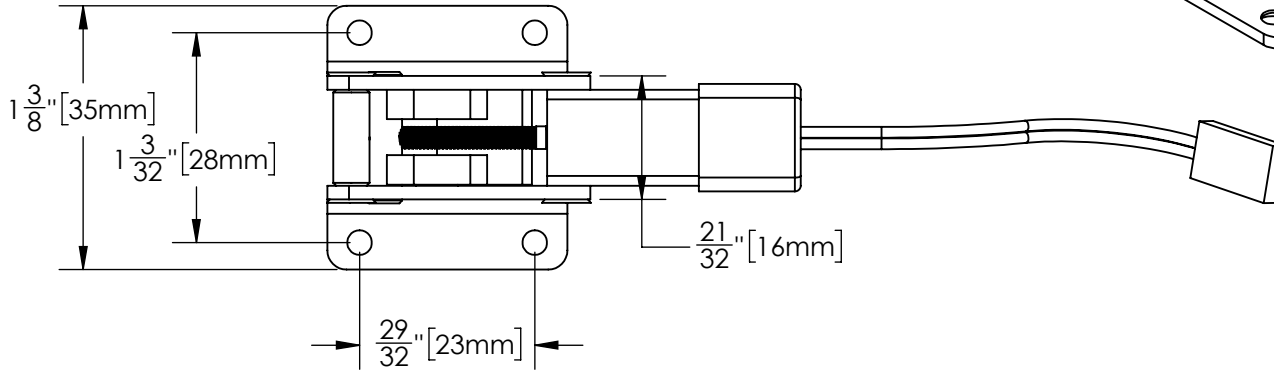
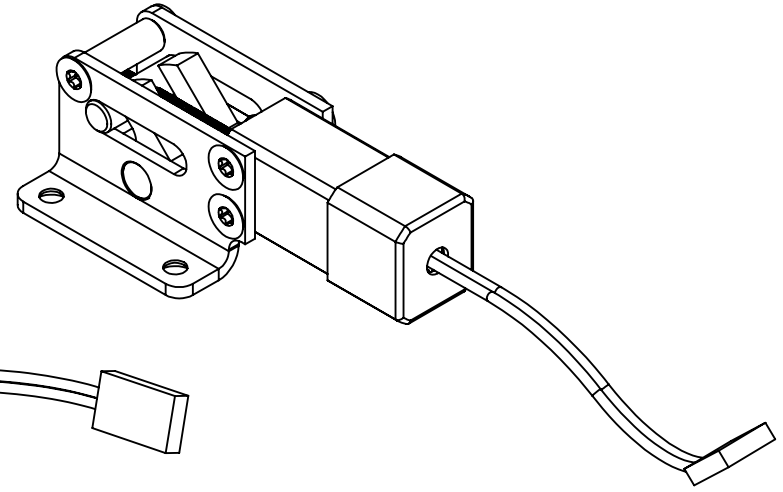


REVISIONS			
REV.	DESCRIPTION	DATE	APPROVED
-	RELEASED	3/31/2017	BGM



FITS 3MM-.125" WIRE STRUT

**UNITS:**  
**INCH (mm)**

**robart** MFG. INC. 625 N. 12TH STREET  
ST. CHARLES, IL. ROBERT.COM

TITLE:  
**SMALL SCALE ELECTRIC  
RETRACT**

<b>PROPRIETARY AND CONFIDENTIAL</b> THE INFORMATION CONTAINED IN THIS DRAWING IS THE SOLE PROPERTY OF ROBERT MANUFACTURING. ANY REPRODUCTION IN PART OR AS A WHOLE WITHOUT THE WRITTEN PERMISSION OF ROBERT MANUFACTURING IS PROHIBITED.	UNLESS OTHERWISE SPECIFIED: DIMENSIONS ARE IN INCHES TOLERANCES: FRACTIONAL ± 1/32 ANGULAR: MACH ±      BEND ± TWO PLACE DECIMAL ±0.01 THREE PLACE DECIMAL ±0.005 FOUR PLACE DECIMAL ±0.0005	DRAWN	B.METZ	3/31/2017
		CHECKED		
		MFG APPR.		
		Q.A.		

SIZE	DWG. NO.	REV
<b>A</b>	<b>612EDIM</b>	<b>-</b>

SCALE: 1:1      SHEET 1 OF 1