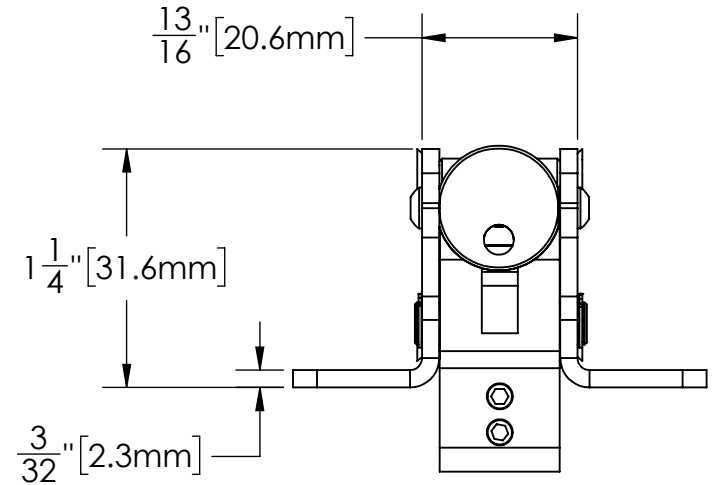
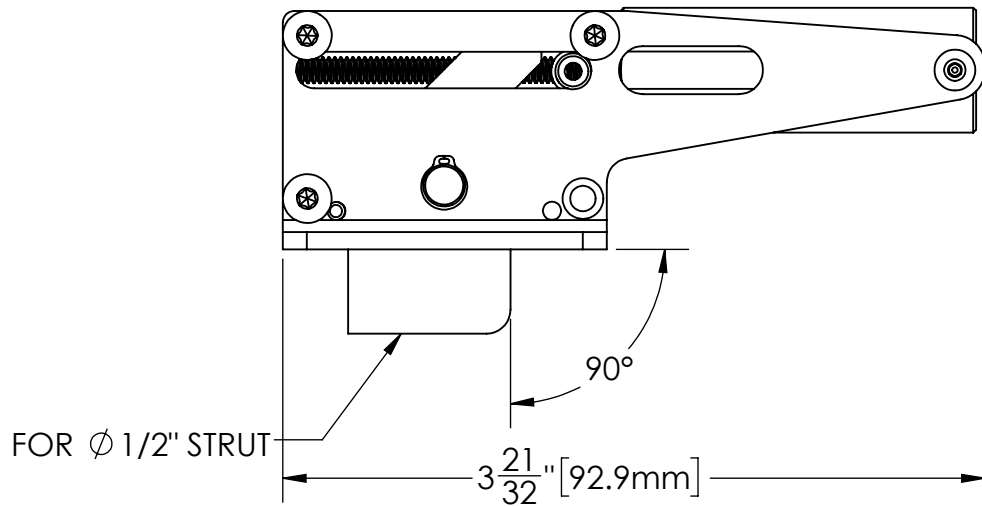
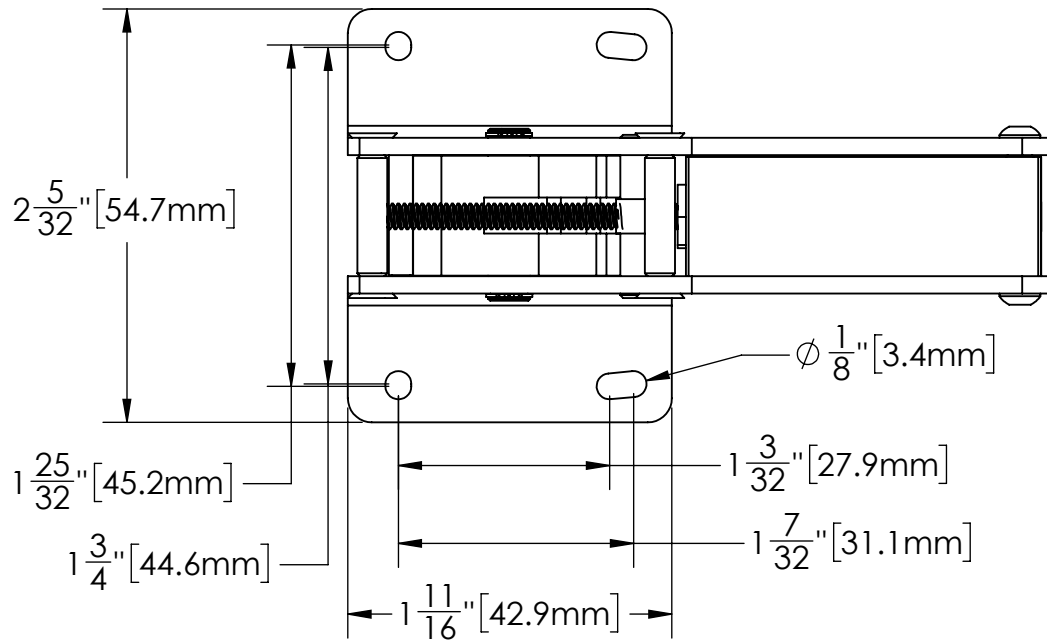


REVISIONS			
REV.	DESCRIPTION	DATE	APPROVED
-	DRAWN IN SOLIDWORKS	7/28/16	NM



UNITS:
INCH [mm]

PROPRIETARY AND CONFIDENTIAL		UNLESS OTHERWISE SPECIFIED:		NAME	DATE	
THE INFORMATION CONTAINED IN THIS DRAWING IS THE SOLE PROPERTY OF ROBERT MANUFACTURING. ANY REPRODUCTION IN PART OR AS A WHOLE WITHOUT THE WRITTEN PERMISSION OF ROBERT MANUFACTURING IS PROHIBITED.		DIMENSIONS ARE IN INCHES			7/28/2016	
		TOLERANCES:				
		FRACTIONAL: ± 1/32	ANGULAR: MACH ±	BEND ±		
		TWO PLACE DECIMAL ±0.01	THREE PLACE DECIMAL ±0.005	FOUR PLACE DECIMAL ±0.0005		
				DRAWN		
				CHECKED		
				MFG APPR.		
				Q.A.		

ALL LEADS HIDDEN

robert MFG. INC. 625 N. 12TH STREET
ST. CHARLES, IL. ROBERT.COM

TITLE:
**DIMENSIONAL DETAILS
57ORSE**

SIZE A	DWG. NO. 57ORSE DIM	REV -
SCALE: 1:1		SHEET 1 OF 1