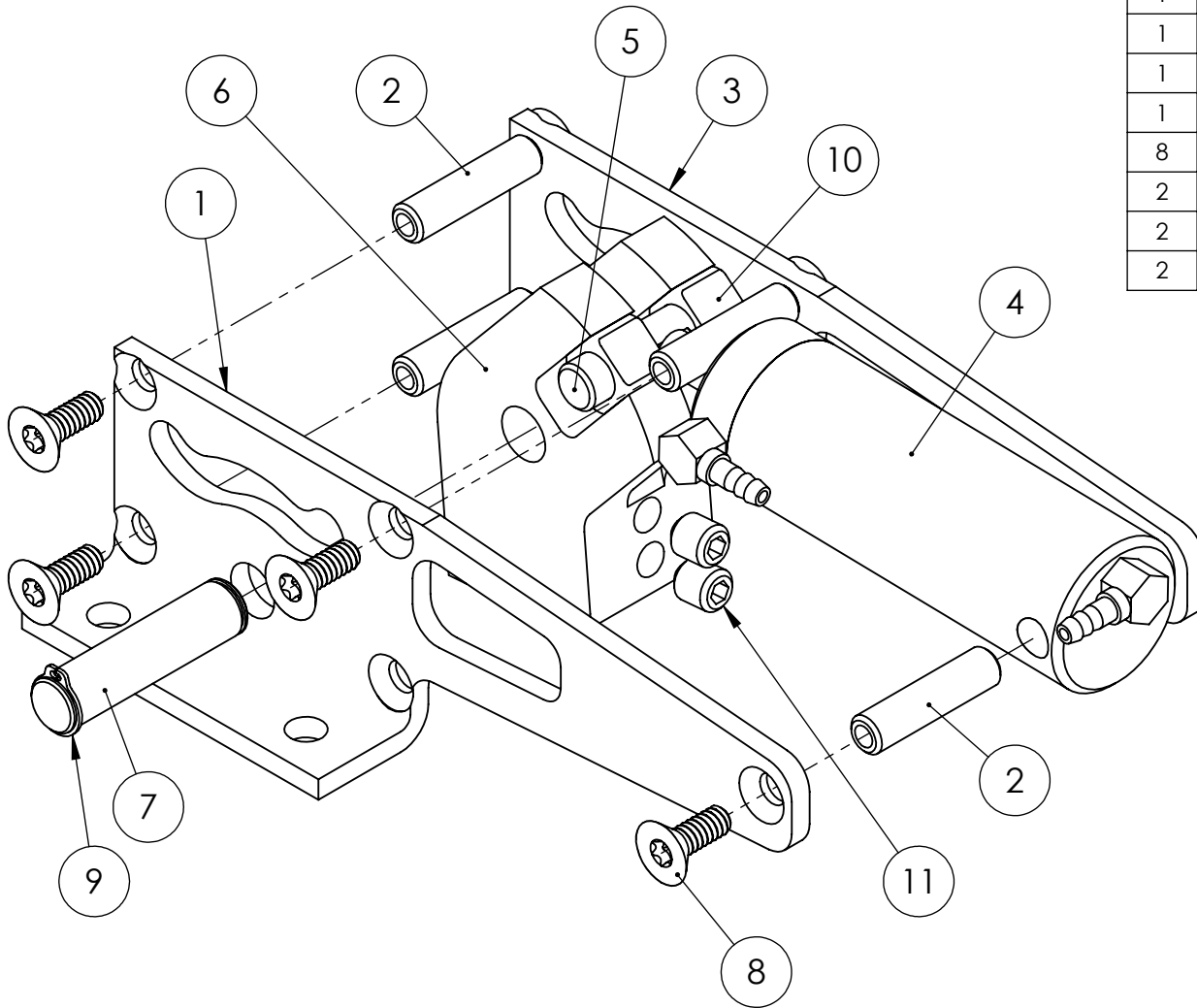


SPARE PARTS LIST

QTY.	ITEM NO.	DESCRIPTION	PART NUMBER
1	1	85 DEG FRAME - LH	550012M
4	2	FRAME SPACER	530021M
1	3	85 DEG FRAME - RH	550013M
1	4	CYLINDER ASSEMBLY	530120A
1	5	CAM PIN	530029M
1	6	MAIN GEAR TRUNION	550001M
1	7	TRUNION PIN	530026M
8	8	4-40 X 5/16 TORX FMS ZINC	1065F
2	9	RETAINING RING	1125F
2	10	CAM FOLLOWER	530030M
2	11	#8-32 X 3/16" SET SCREW	1198F



906-195M

PROPRIETARY AND CONFIDENTIAL
 THE INFORMATION CONTAINED IN THIS DRAWING IS THE SOLE
 PROPERTY OF ROBART MANUFACTURING. ANY REPRODUCTION
 IN PART OR AS A WHOLE WITHOUT THE WRITTEN PERMISSION OF
 ROBART MANUFACTURING IS PROHIBITED.

	NAME	DATE
DRAWN	J.REHAK	01OCT12
CHECKED		

robart
 www.robart.com
 625 N. 12TH ST.
 ST. CHARLES, IL 60174
 PH: 630-584-7616
 FX: 630-584-3712

TITLE:
**85° RETRACT ASSEMBLY
 ROBOSTRUT READY**

551RSSP REV -