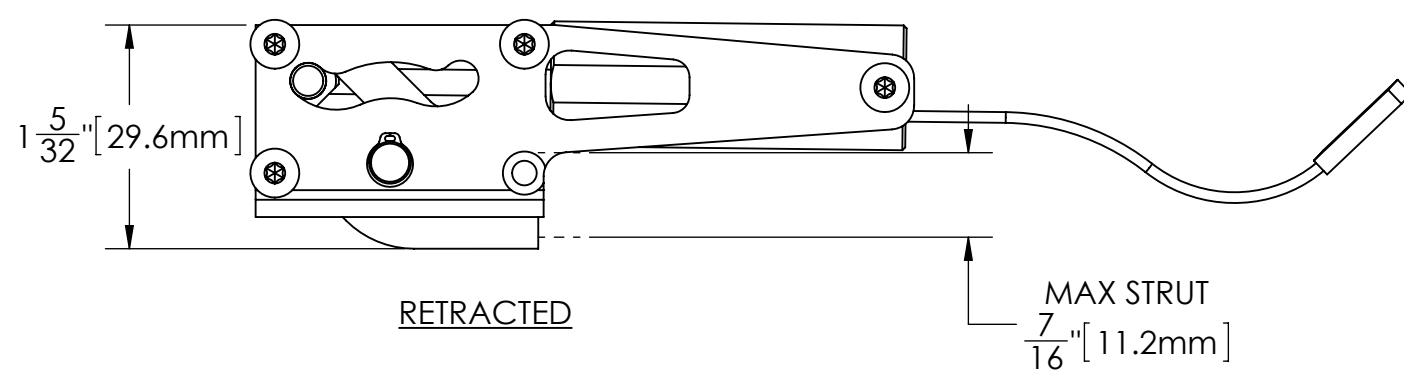
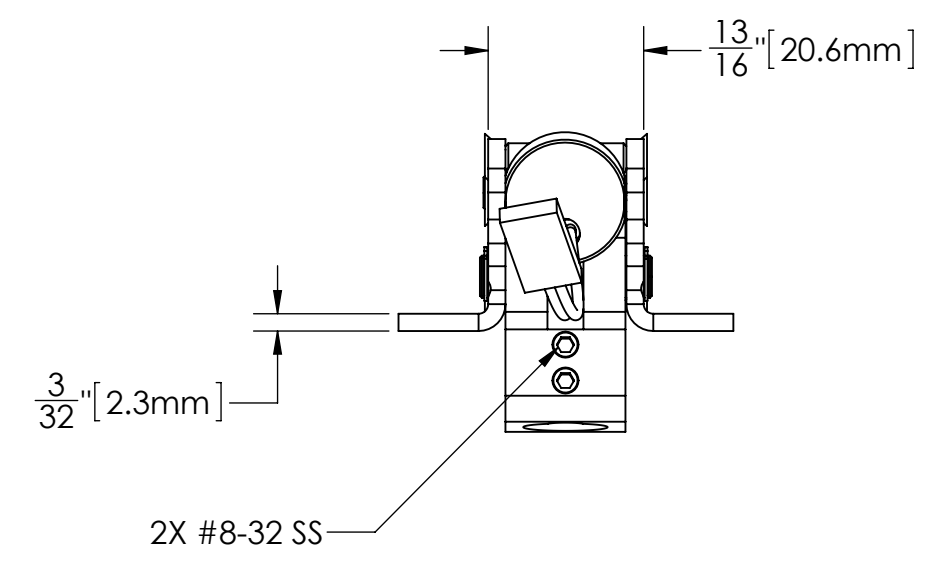
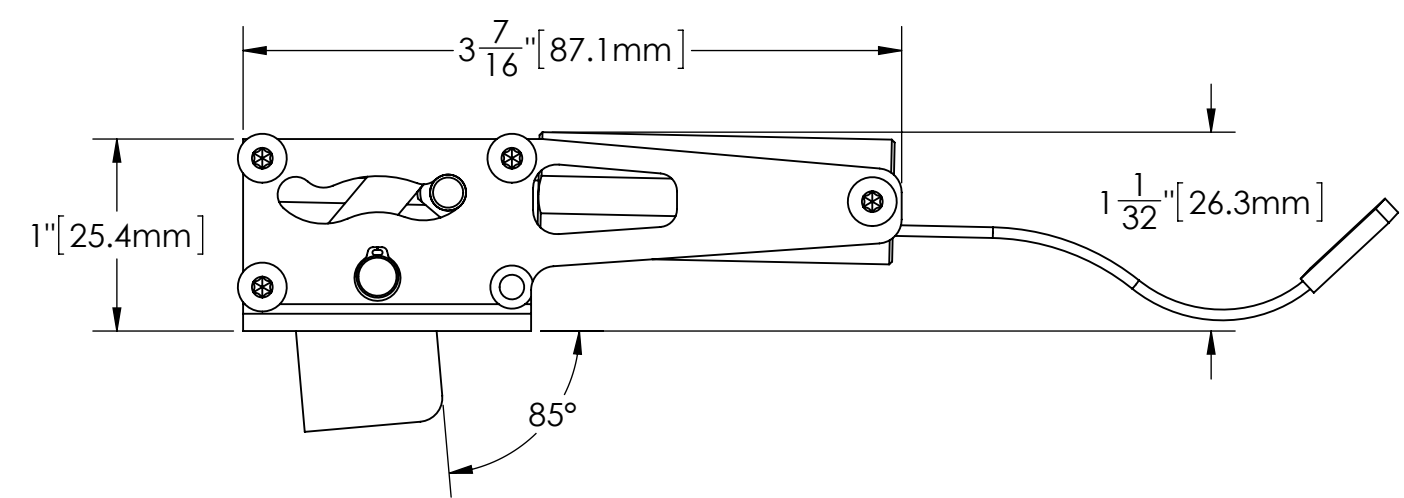
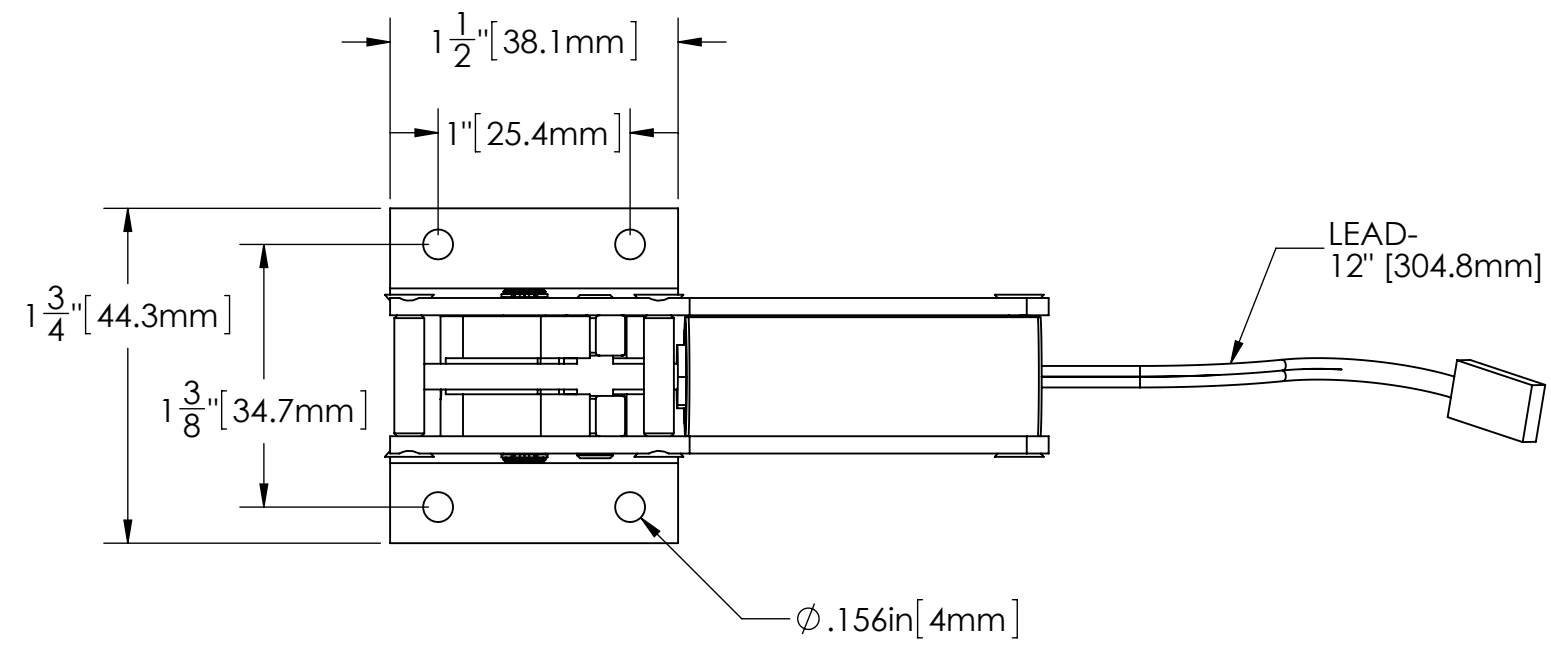


REVISIONS			
REV.	DESCRIPTION	DATE	APPROVED
1			



**UNITS:**  
INCH [mm]

ROBART MFG.		
TITLE: DIMENSIONAL DETAIL 551RSE		
SIZE <b>B</b>	DWG. NO. <b>551RSE DIM</b>	REV -
SCALE: 1:1	WEIGHT:	SHEET 1 OF 1

<b>PROPRIETARY AND CONFIDENTIAL</b> THE INFORMATION CONTAINED IN THIS DRAWING IS THE SOLE PROPERTY OF ROBART MANUFACTURING. ANY REPRODUCTION IN PART OR AS A WHOLE WITHOUT THE WRITTEN PERMISSION OF ROBART MANUFACTURING IS PROHIBITED.	UNLESS OTHERWISE SPECIFIED: DIMENSIONS ARE IN INCHES TOLERANCES: FRACTIONAL ± 1/32 ANGULAR: MACH ± 1° BEND ± 1° TWO PLACE DECIMAL ± 0.01 THREE PLACE DECIMAL ± 0.005 FOUR PLACE DECIMAL ± 0.0005	DRAWN N.MARC	NAME N.MARC	DATE 16JUL14
		CHECKED		
		MFG APPR.		
		Q.A.		