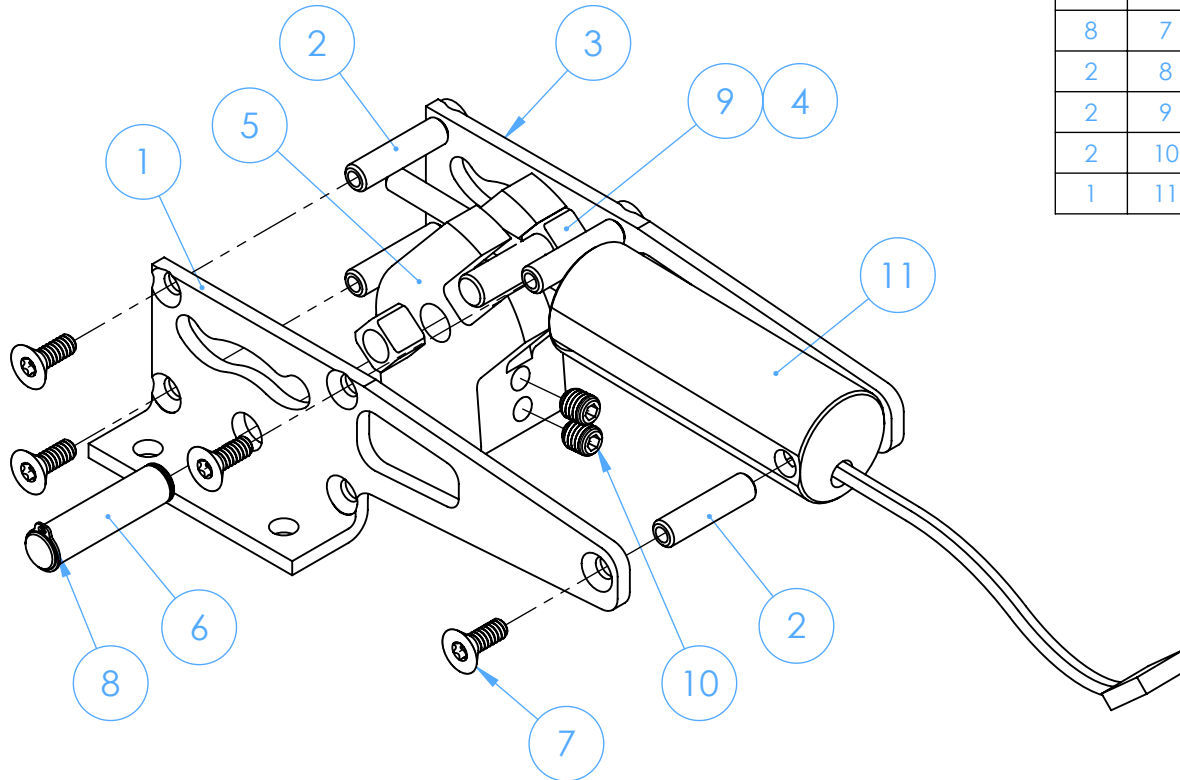


## SPARE PARTS LIST

Default/Qty.	ITEM NO.	DESCRIPTION	PART NUMBER
1	1	85 DEG FRAME - LH	550012M
4	2	FRAME SPACER (SMALL)	530021M
1	3	85 DEG FRAME - RH	550013M
1	4	CAM PIN	550E006M
1	5	MAIN GEAR TRUNION	550001M
1	6	TRUNION PIN	530026M
8	7	4-40 X 5/16 TORX FMS ZINC	1065F
2	8	RETAINING RING	1125F
2	9	CAM FOLLOWER	530030M
2	10	#8-32 X 3/16" SET SCREW	1198F
1	11	ELECTRIC ACTUATOR	550E108A



906-377M

**PROPRIETARY AND CONFIDENTIAL**  
 THE INFORMATION CONTAINED IN THIS DRAWING IS THE SOLE PROPERTY OF ROBART MANUFACTURING. ANY REPRODUCTION IN PART OR AS A WHOLE WITHOUT THE WRITTEN PERMISSION OF ROBART MANUFACTURING IS PROHIBITED.

	NAME	DATE
DRAWN	J.REHAK	20SEP12
CHECKED		

**robart** 625 N. 12TH ST.  
 ST. CHARLES, IL 60174  
 PH: 630-584-7616  
 FX: 630-584-3712  
[www.robart.com](http://www.robart.com)

TITLE:  
**551RSE  
 SPARE PARTS LIST**

**551RSESP**      REV **A**