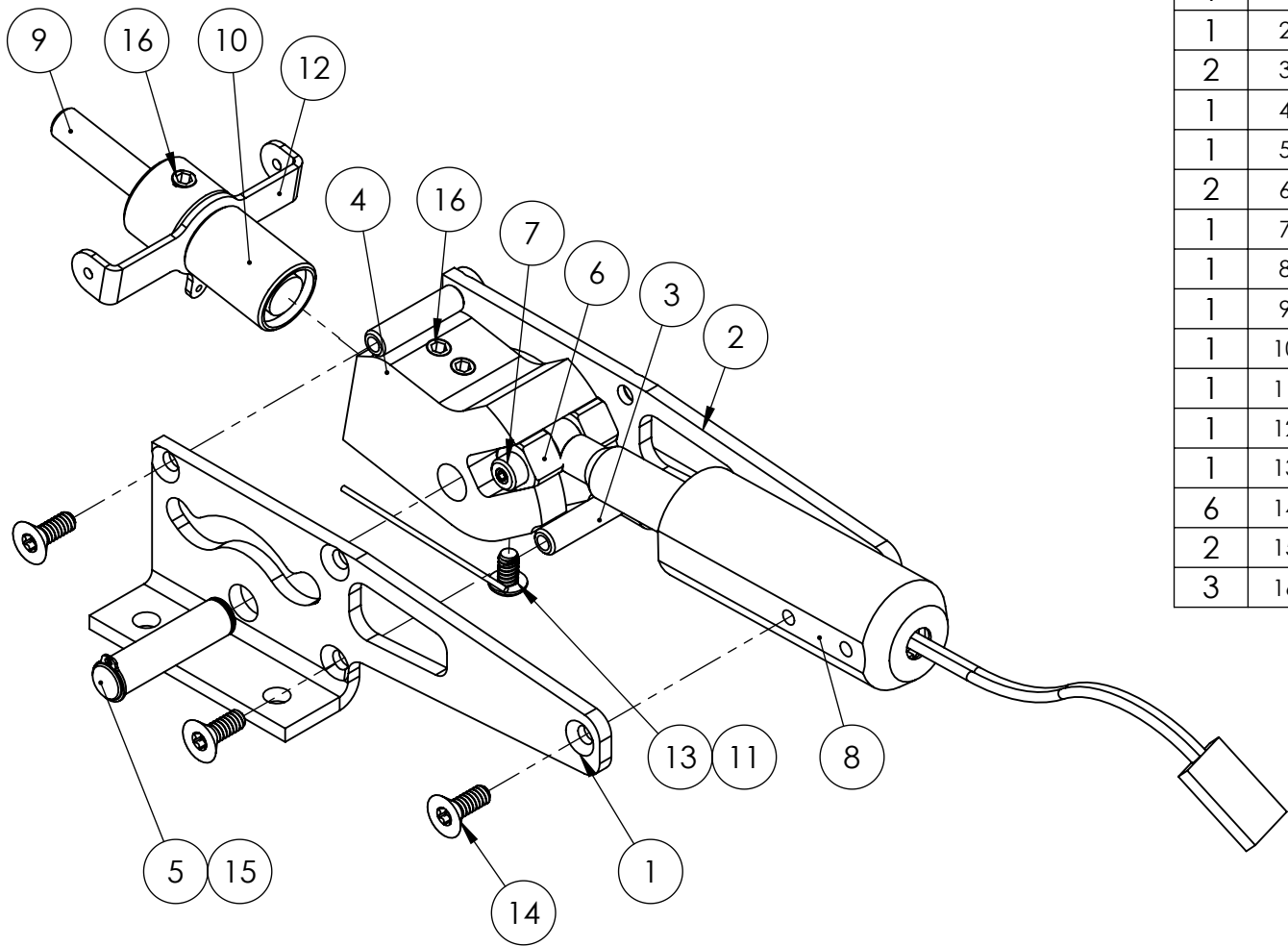


SPARE PARTS LIST			
QTY.	ITEM NO.	DESCRIPTION	PART NUMBER
1	1	110 DEG FRAME - LH	530014M
1	2	110 DEG FRAME - RH	530015M
2	3	FRAME SPACER (SMALL)	530021M
1	4	TRUNION	530022M
1	5	TRUNION PIN	530026M
2	6	CAM FOLLOWER	530030M
1	7	JACK SHAFT ASSEMBLY	530E099A
1	8	ACTUATOR ASSEMBLY	530E120A
1	9	AXLE PIN	650010M
1	10	STEERING BEARING	530032M
1	11	CENTERING WIRE	530033M
1	12	STEERING ARM ASSEMBLY	530125A
1	13	#4-40 x 3/16" BHSMS	1022F
6	14	4-40 X 5/16 TORX FMS ZINC	1065F
2	15	RETAINING RING	1125F
3	16	#8-32 X 3/16" SET SCREW	1198F



906-469M

PROPRIETARY AND CONFIDENTIAL
 THE INFORMATION CONTAINED IN THIS DRAWING IS THE SOLE PROPERTY OF ROBART MANUFACTURING. ANY REPRODUCTION IN PART OR AS A WHOLE WITHOUT THE WRITTEN PERMISSION OF ROBART MANUFACTURING IS PROHIBITED.

	NAME	DATE
DRAWN	N.MARC	17APR14
CHECKED		

robart 625 N. 12TH ST.
 ST. CHARLES, IL 60174
 PH: 630-584-7616
 FX: 630-584-3712
www.robart.com

TITLE:
**110° ELECRIC NOSE
 RETRACTS**

544RSESP REV -