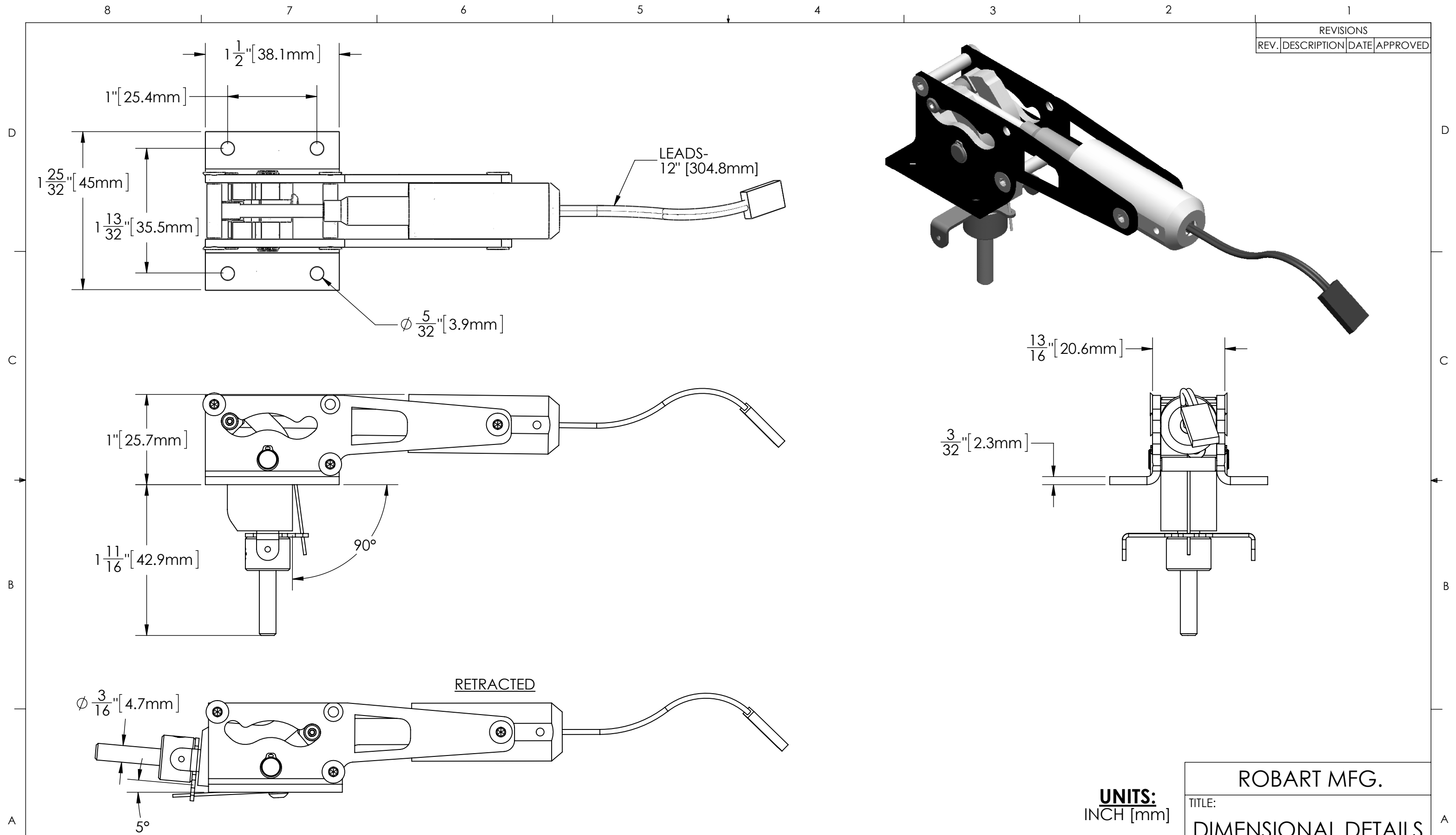


REVISIONS			
REV.	DESCRIPTION	DATE	APPROVED



**UNITS:**  
INCH [mm]

ROBART MFG.		
TITLE: <b>DIMENSIONAL DETAILS 542RSE</b>		
SIZE <b>B</b>	DWG. NO. <b>542RSE DIM</b>	REV <b>-</b>
SCALE: 1:1	WEIGHT:	SHEET 1 OF 1

<b>PROPRIETARY AND CONFIDENTIAL</b> THE INFORMATION CONTAINED IN THIS DRAWING IS THE SOLE PROPERTY OF ROBART MANUFACTURING. ANY REPRODUCTION IN PART OR AS A WHOLE WITHOUT THE WRITTEN PERMISSION OF ROBART MANUFACTURING IS PROHIBITED.	UNLESS OTHERWISE SPECIFIED: DIMENSIONS ARE IN INCHES TOLERANCES: FRACTIONAL $\pm 1/32$ ANGULAR: MACH $\pm 1^\circ$ BEND $\pm 1^\circ$ TWO PLACE DECIMAL $\pm 0.01$ THREE PLACE DECIMAL $\pm 0.005$ FOUR PLACE DECIMAL $\pm 0.0005$	DRAWN	N.MARC	DATE
	CHECKED		21JUL14	
	MFG APPR.			
	Q.A.			