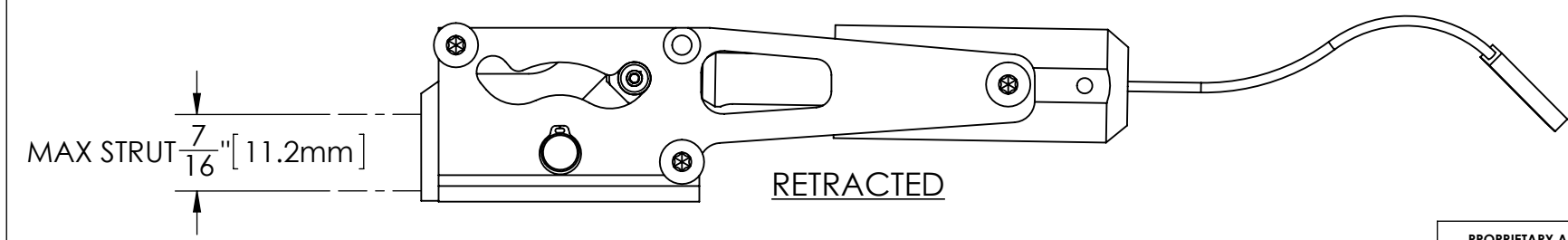
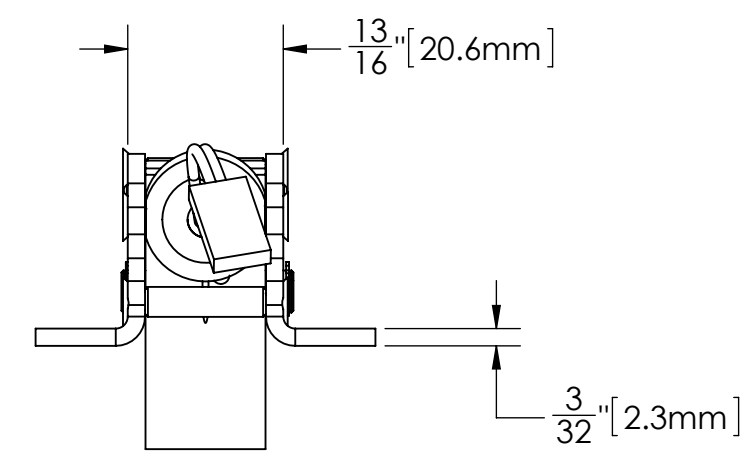
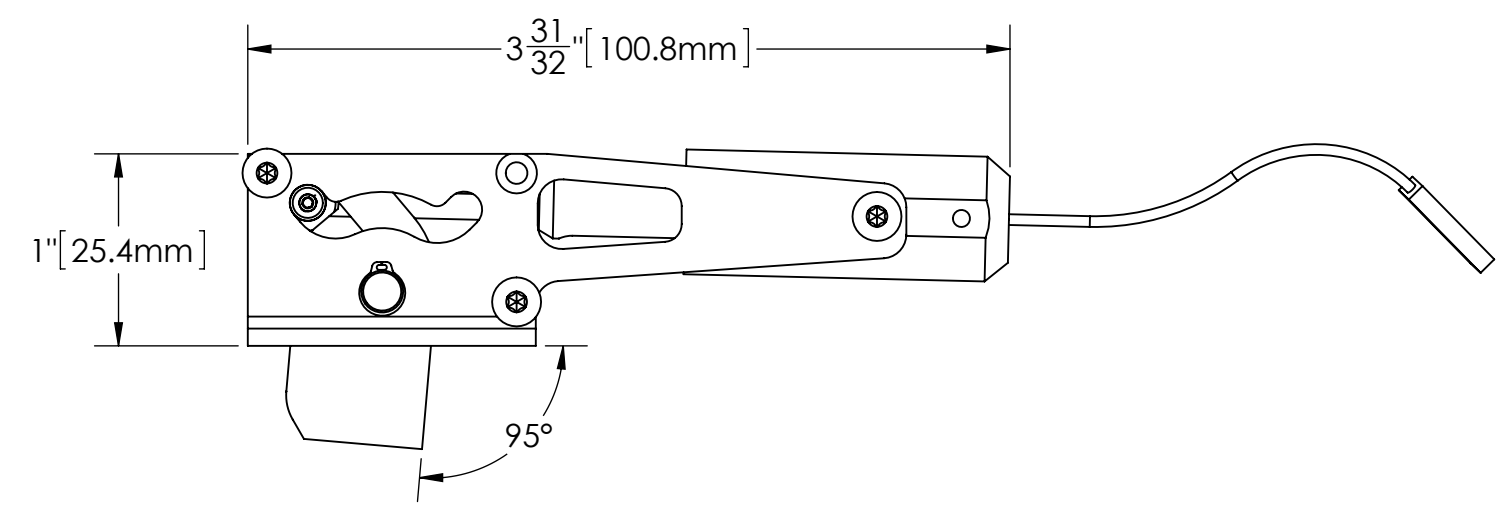
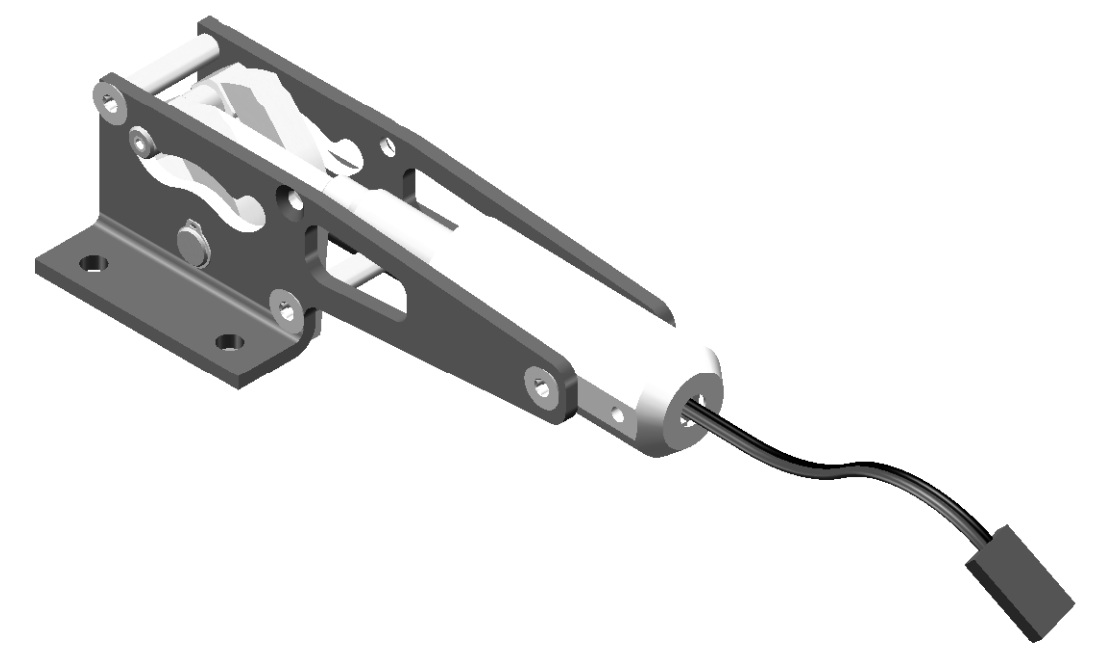
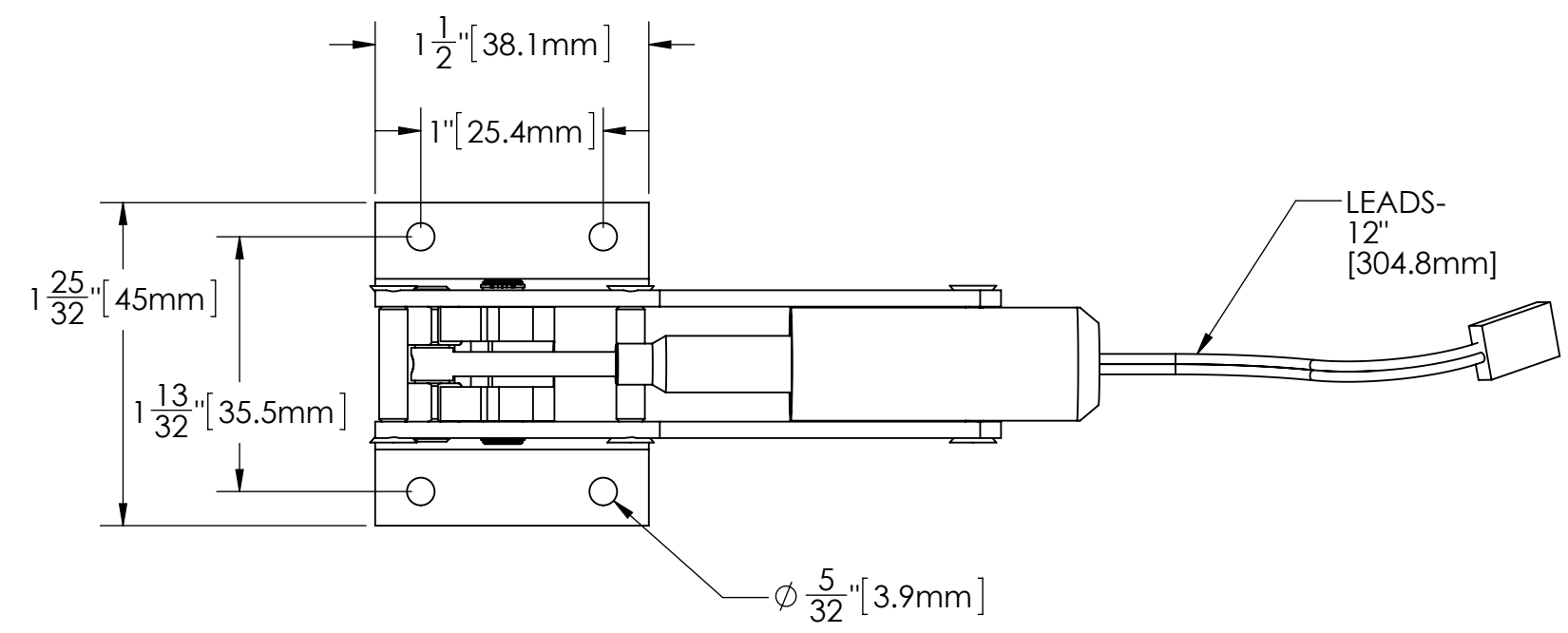


| REVISIONS | | | |
|-----------|-------------|------|----------|
| REV. | DESCRIPTION | DATE | APPROVED |
| | | | |



UNITS:
INCH [mm]

| | | |
|--|-------------------------------|--------------|
| ROBART MFG. | | |
| TITLE: DIMENSIONAL DETAIL 531RSE | | |
| SIZE B | DWG. NO. 531RSE DIM | REV - |
| SCALE: 1:1 | WEIGHT: | SHEET 1 OF 1 |

| | | | | | |
|---|---|-------|--------|------|---------|
| PROPRIETARY AND CONFIDENTIAL THE INFORMATION CONTAINED IN THIS DRAWING IS THE SOLE PROPERTY OF ROBART MANUFACTURING. ANY REPRODUCTION IN PART OR AS A WHOLE WITHOUT THE WRITTEN PERMISSION OF ROBART MANUFACTURING IS PROHIBITED. | UNLESS OTHERWISE SPECIFIED: DIMENSIONS ARE IN INCHES TOLERANCES: FRACTIONAL ± 1/32 ANGULAR: MACH ± 1° BEND ± 1° TWO PLACE DECIMAL ± 0.01 THREE PLACE DECIMAL ± 0.005 FOUR PLACE DECIMAL ± 0.0005 | DRAWN | N.MARC | DATE | 16JUL14 |
| | CHECKED | | | | |
| | MFG APPR. | | | | |
| | Q.A. | | | | |