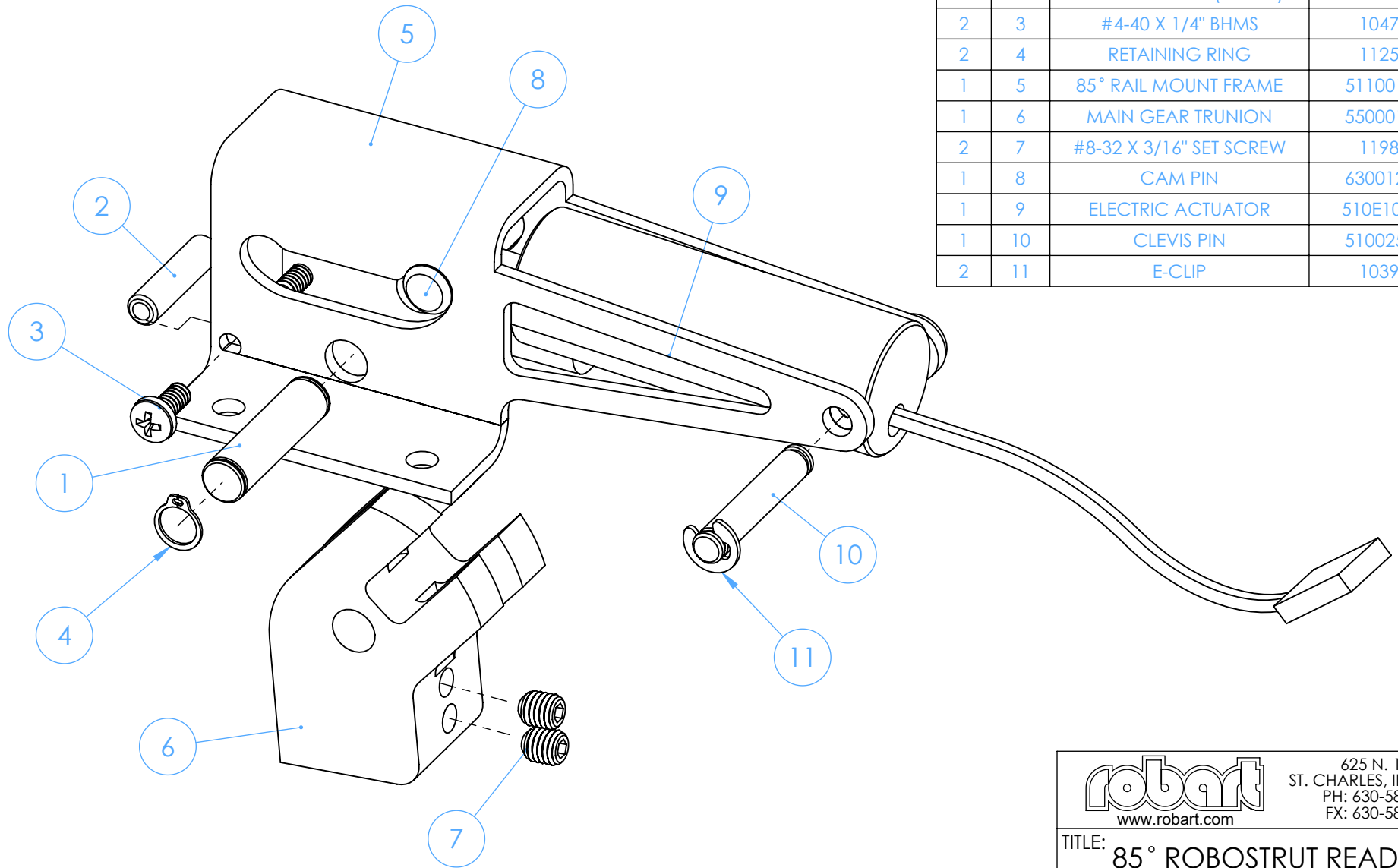


REVISIONS			
REV.	DESCRIPTION	DATE	APPROVED
A	UPDATED TO ROBART ACTUATOR	22AUG14	JR

SPARE PARTS LIST			
QTY.	ITEM NO.	DESCRIPTION	PART NUMBER
1	1	TRUNION PIN	510026M
1	2	FRAME SPACER (SMALL)	530021M
2	3	#4-40 X 1/4" BHMS	1047F
2	4	RETAINING RING	1125F
1	5	85° RAIL MOUNT FRAME	511001M
1	6	MAIN GEAR TRUNION	550001M
2	7	#8-32 X 3/16" SET SCREW	1198F
1	8	CAM PIN	630012M
1	9	ELECTRIC ACTUATOR	510E108A
1	10	CLEVIS PIN	510025M
2	11	E-CLIP	1039F



906-402M

PROPRIETARY AND CONFIDENTIAL
 THE INFORMATION CONTAINED IN THIS DRAWING IS THE SOLE PROPERTY OF ROBART MANUFACTURING. ANY REPRODUCTION IN PART OR AS A WHOLE WITHOUT THE WRITTEN PERMISSION OF ROBART MANUFACTURING IS PROHIBITED.

	NAME	DATE
DRAWN	J.REHAK	28JAN13
CHECKED		

robart
 www.robart.com
 625 N. 12TH ST.
 ST. CHARLES, IL 60174
 PH: 630-584-7616
 FX: 630-584-3712

TITLE: **85° ROBOSTRUT READY
 ELECTRIC MAIN RETRACT
 SPARE PARTS LIST**

511RSESP

REV **A**